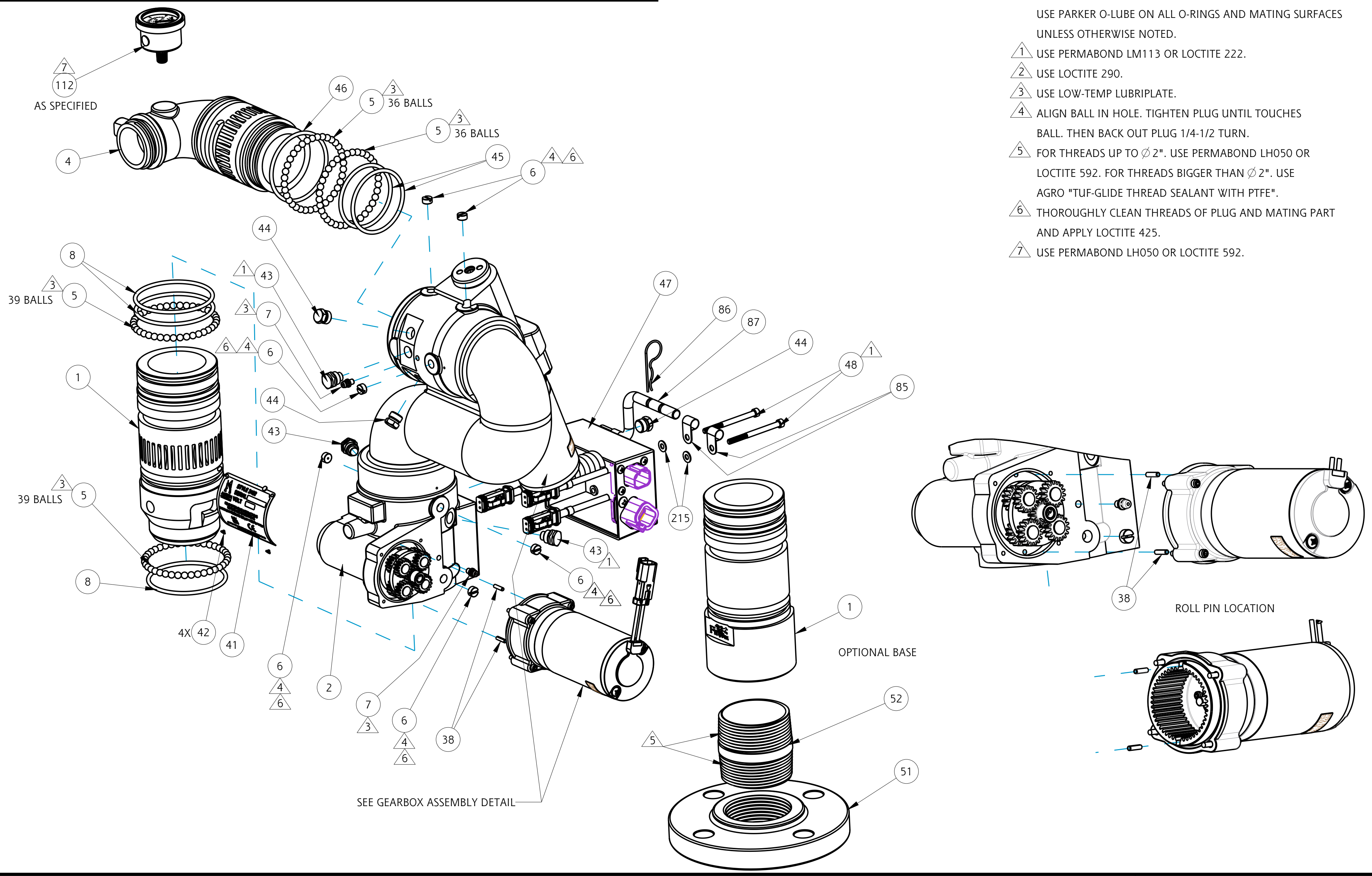




TECHNICAL SERVICE PARTS
 STYLE 3463
 PRODUCT FIREFOX

IF AN ITEM IS NOTED AS "NOT FIELD REPAIRABLE", OR YOU WISH TO RETURN AN ITEM TO AKRON BRASS FOR SERVICE PLEASE GO ONLINE TO, ONLINEREPAIR.AKRONBRASS.COM

Chg.	Date
15	09-25
16	05-26



- ASSEMBLY NOTES:
- USE PARKER O-LUBE ON ALL O-RINGS AND MATING SURFACES UNLESS OTHERWISE NOTED.
 - 1 USE PERMABOND LM113 OR LOCTITE 222.
 - 2 USE LOCTITE 290.
 - 3 USE LOW-TEMP LUBRIPLATE.
 - 4 ALIGN BALL IN HOLE. TIGHTEN PLUG UNTIL TOUCHES BALL. THEN BACK OUT PLUG 1/4-1/2 TURN.
 - 5 FOR THREADS UP TO $\varnothing 2"$. USE PERMABOND LH050 OR LOCTITE 592. FOR THREADS BIGGER THAN $\varnothing 2"$. USE AGRO "TUF-GLIDE THREAD SEALANT WITH PTFE".
 - 6 THOROUGHLY CLEAN THREADS OF PLUG AND MATING PART AND APPLY LOCTITE 425.
 - 7 USE PERMABOND LH050 OR LOCTITE 592.

PHONE: 800.228.1161 | www.akronbrass.com

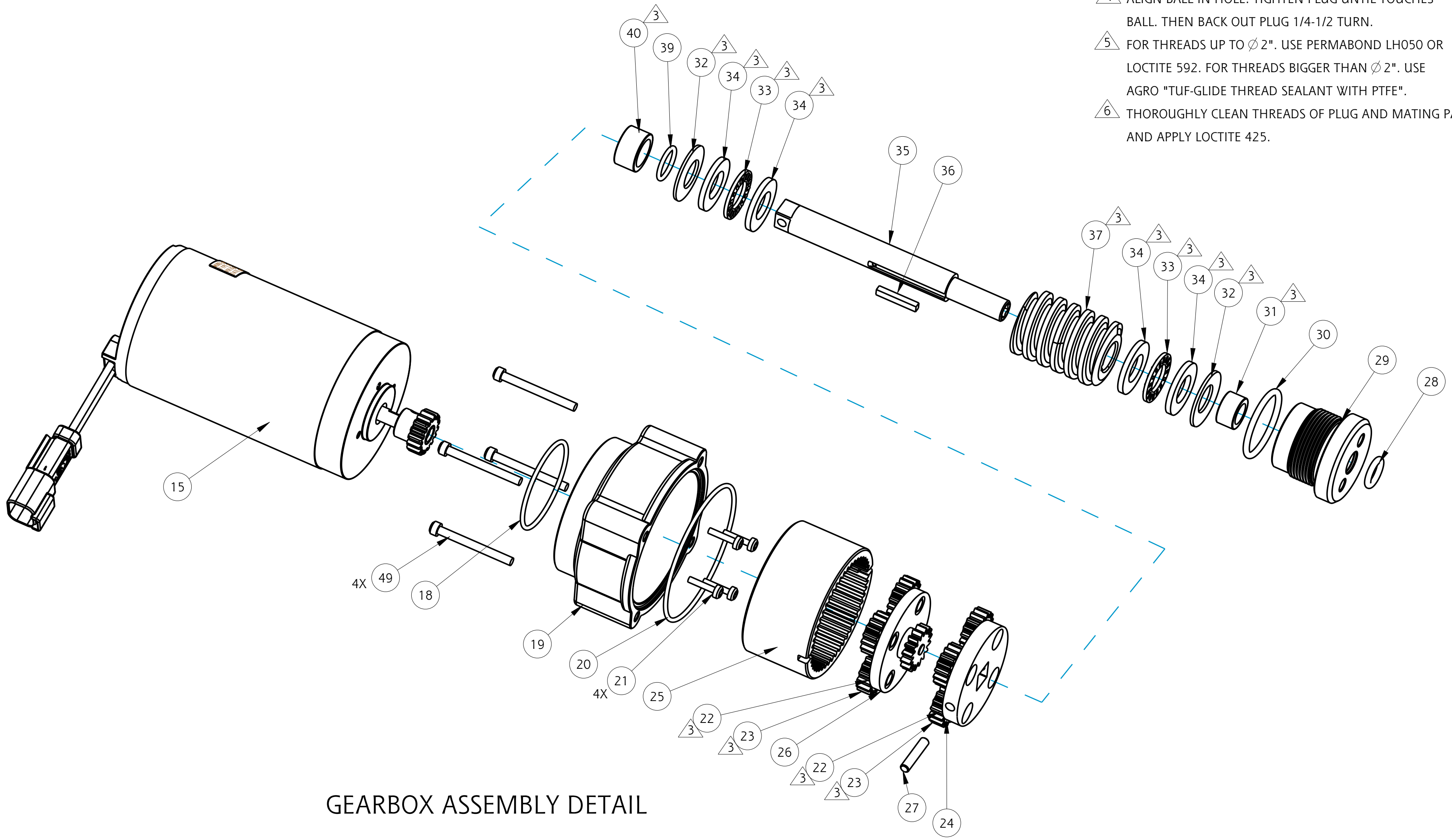
WARRANTY AND DISCLAIMER*: We warrant Akron Brass products for a period of five (5) years* after purchase against defects in materials or workmanship. Akron Brass will repair or replace product which fails to satisfy this warranty. Repair or replacement shall be at the discretion of Akron Brass. Products must be promptly returned to Akron Brass for warranty service. We will not be responsible for: wear and tear; any improper installation, use, maintenance or storage; negligence of the owner or user; repair or modification after delivery; failure to follow our instructions or recommendations; or anything else beyond our control. WE MAKE NO WARRANTIES, EXPRESS OR IMPLIED, OTHER THAN THOSE INCLUDED IN THIS WARRANTY STATEMENT, AND WE DISCLAIM ANY IMPLIED WARRANTY OF MERCHANTABILITY OR FITNESS FOR ANY PARTICULAR PURPOSE. Further, we will not be responsible for any consequential, incidental or indirect damages (including, but not limited to, any loss of profits) from any cause whatsoever. No person has authority to change this warranty. *Unless otherwise provided herein. Akron Brass industrial electronic components & the Severe-Duty Monitor have a one (1) year warranty. Select Akron Brass handline nozzles and valves carry a ten (10) year warranty. Scene Star Lights carry a (6) year warranty. Weldon products have a two (2) year warranty from date of manufacture (excluding consumable components). Select Weldon LED products carry a five (5) year warranty. Honda products have the manufacturers' warranty and Akron Brass disclaims any warranty in respect of those products.

© 2016 Akron Brass Company. All rights reserved. No portion of this can be reproduced without the express written consent of the Akron Brass Company.

Parts List Sheet:
 122385

D45632

- ASSEMBLY NOTES:
- USE PARKER O-LUBE ON ALL O-RINGS AND MATING SURFACES UNLESS OTHERWISE NOTED.
 - 1 USE PERMABOND LM113 OR LOCTITE 222.
 - 2 USE LOCTITE 290.
 - 3 USE LOW-TEMP LUBRIPLATE.
 - 4 ALIGN BALL IN HOLE. TIGHTEN PLUG UNTIL TOUCHES BALL. THEN BACK OUT PLUG 1/4-1/2 TURN.
 - 5 FOR THREADS UP TO $\varnothing 2"$. USE PERMABOND LH050 OR LOCTITE 592. FOR THREADS BIGGER THAN $\varnothing 2"$. USE AGRO "TUF-GLIDE THREAD SEALANT WITH PTFE".
 - 6 THOROUGHLY CLEAN THREADS OF PLUG AND MATING PART AND APPLY LOCTITE 425.



GEARBOX ASSEMBLY DETAIL

PHONE: 800.228.1161 | www.akronbrass.com

WARRANTY AND DISCLAIMER*: We warrant Akron Brass products for a period of five (5) years* after purchase against defects in materials or workmanship. Akron Brass will repair or replace product which fails to satisfy this warranty. Repair or replacement shall be at the discretion of Akron Brass. Products must be promptly returned to Akron Brass for warranty service. We will not be responsible for: wear and tear; any improper installation, use, maintenance or storage; negligence of the owner or user; repair or modification after delivery; failure to follow our instructions or recommendations; or anything else beyond our control. WE MAKE NO WARRANTIES, EXPRESS OR IMPLIED, OTHER THAN THOSE INCLUDED IN THIS WARRANTY STATEMENT, AND WE DISCLAIM ANY IMPLIED WARRANTY OF MERCHANTABILITY OR FITNESS FOR ANY PARTICULAR PURPOSE. Further, we will not be responsible for any consequential, incidental or indirect damages (including, but not limited to, any loss of profits) from any cause whatsoever. No person has authority to change this warranty. *Unless otherwise provided herein. Akron Brass industrial electronic components & the Severe-Duty Monitor have a one (1) year warranty. Select Akron Brass handline nozzles and valves carry a ten (10) year warranty. Scene Star Lights carry a (6) year warranty. Weldon products have a two (2) year warranty from date of manufacture (excluding consumable components). Select Weldon LED products carry a five (5) year warranty. Honda products have the manufacturers' warranty and Akron Brass disclaims any warranty in respect of those products.

© 2016 Akron Brass Company. All rights reserved. No portion of this can be reproduced without the express written consent of the Akron Brass Company.

Parts List Sheet:

122385



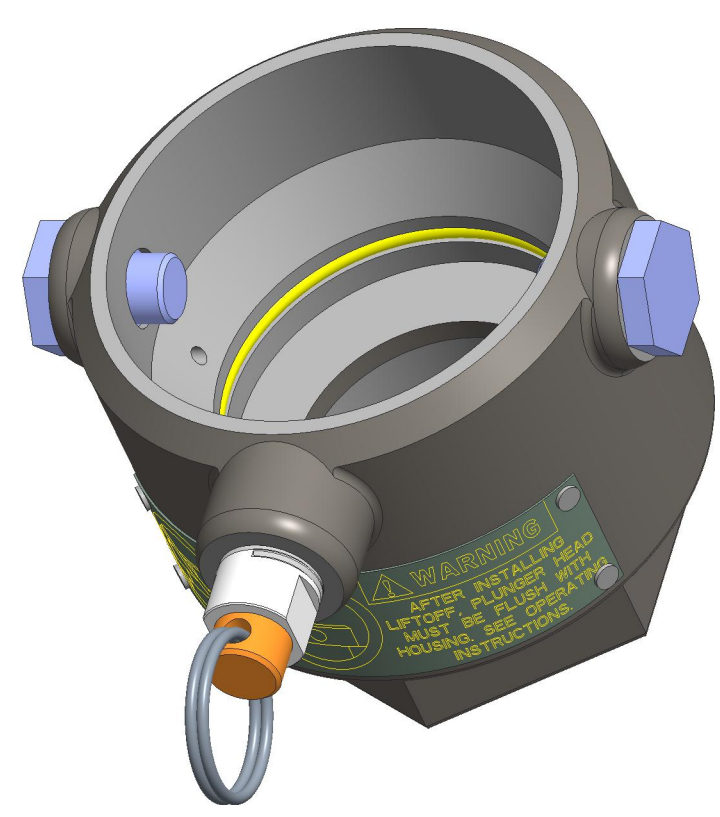
TECHNICAL SERVICE PARTS
 STYLE 3463
 PRODUCT FIREFOX

IF AN ITEM IS NOTED AS "NOT FIELD REPAIRABLE", OR YOU WISH TO RETURN AN ITEM TO AKRON BRASS FOR SERVICE PLEASE GO ONLINE TO, ONLINEREPAIR.AKRONBRASS.COM

Chg.	Date
15	09-25
16	05-26

COMPONENTS NOT SHOWN			
Find	Description	Item	QTY
	POWER CABLE	721564	1
	JOYSTICK CABLE 20 FT.	721565	1
	JOYSTICK CABLE 30 FT.	721634	1
A	KIT OF 50 BALLS	109041	
B	FIELD SERVICE KIT O-RINGS	92230001	
C	FIELD SERVICE KIT GEARBOX	34620046	
D	CARRIER, GEAR S/A	33560029	
E	PLATE, CARRIER, SHORT S/A	78201048	

Find	Description	Item	Qty
1	BASE 2" BSP TAPERED ETCHED	123378	1
1	BASE 2" BSP TAPERED	128057	1
1	BASE 2" NPT	117898	1
1	BASE 2.5" NPT	118124	1



QUICK DISCONNECT 34630001

Find		Description	Item	QTY
2		ELBOW INLET	122371	1
4		ELBOW OUTLET W/O GAGE PORT	126948	1
4		ELBOW OUTLET W/ GAGE PORT	126950	1
5	A,B	BALL BRASS 1/4"OD	-	150
6	A,B	PLUG SWIVEL 3/8-24 x 3/16"	-	7
7		FITTING GREASE 3/16	713191	2
8	B	O-RING 2-233	-	3
15		MOTOR S/A 12V - RED	34620000	2
15		MOTOR S/A 24V - RED	34620100	2
18	B,C	O-RING 2-029	-	2
19		HOUSING GEARBOX	121539	2
20	C	O-RING 2-036	-	2
21		SCREW SOCKET HEAD CAP #6-32 x 1/2"	765052	8
22	D,E	RIVET SHORT	-	16
23	D,E	GEAR PLANET 16 TOOTH	-	16
24	D	CARRIER	-	2
25		GEAR INTERNAL	718337	2
26	E	PLATE CARRIER	-	2
27	C	PIN GROOVE 5/32" x 3/4"	-	2
28	C	O-RING 2-110	-	2
29		CAP BEARING	116465	2
30	C	O-RING 2-121	-	2
31	C	BEARING	-	2
32	C	SPRING BELLEVILLE	-	4
33	C	BEARING NEEDLE	-	4
34	C	WASHER THRUST	-	8
35	C	SHAFT	-	2
36	C	KEY	-	2
37	C	GEAR WORM	-	2
38		PIN ROLL 1/8" x 1/2"	744288	4
39	C	O-RING 2-014	-	2
40	C	BEARING ROLLER NEEDLE	-	2
41		PLATE ID	745271	1
41		PLATE ID, 24V CE	745313	1
42		NAIL	736052	4
43		STOP	769498	3
44		PLUG 1/2-20 x 1/2"	744337	3
45	B	O-RING 2-229	-	2
46	B	O-RING 2-231	-	1
47		ASSEMBLY CONTROLLER	60400006	1
48		SCREW SOCKET HEAD CAP #10-24 x 2-1/2"	763079	2
49		SCREW SOCKET HEAD CAP #6-32 x 1-3/8"	767132	8
51		2.5" 150# FLAT FACE FLANGE	712283	1
52		2.5" NPT PIPE NIPPLE	735089	1
79		QUICK DISCONNECT (OPTIONAL)	34630001	1
85		CLAMP CABLE	807139	2
86		CLIP HAIRPIN COTTER	744339	1
87		HANDLE OVERRIDE	721291	1
112		GAGE (bar/MPa)	718323	1
112		GAGE (KPa/PSI)	718322	1
212		ADAPTER 1-1/2" NH x 1-1/2" BSP (NOT SHOWN)	104263	1
213		GASKET (NOT SHOWN)	717042	1
214		SET SCREW 1/4-20 x 3/16" (NOT SHOWN)	765008	1
215		WASHER	784072	2

PHONE: 800.228.1161 | www.akronbrass.com

Parts List Sheet:

122385

WARRANTY AND DISCLAIMER*: We warrant Akron Brass products for a period of five (5) years* after purchase against defects in materials or workmanship. Akron Brass will repair or replace product which fails to satisfy this warranty. Repair or replacement shall be at the discretion of Akron Brass. Products must be promptly returned to Akron Brass for warranty service. We will not be responsible for: wear and tear; any improper installation, use, maintenance or storage; negligence of the owner or user; repair or modification after delivery; failure to follow our instructions or recommendations; or anything else beyond our control. WE MAKE NO WARRANTIES, EXPRESS OR IMPLIED, OTHER THAN THOSE INCLUDED IN THIS WARRANTY STATEMENT, AND WE DISCLAIM ANY IMPLIED WARRANTY OF MERCHANTABILITY OR FITNESS FOR ANY PARTICULAR PURPOSE. Further, we will not be responsible for any consequential, incidental or indirect damages (including, but not limited to, any loss of profits) from any cause whatsoever. No person has authority to change this warranty. *Unless otherwise provided herein. Akron Brass industrial electronic components & the Severe-Duty Monitor have a one (1) year warranty. Select Akron Brass handline nozzles and valves carry a ten (10) year warranty. Scene Star Lights carry a (6) year warranty. Weldon products have a two (2) year warranty from date of manufacture (excluding consumable components). Select Weldon LED products carry a five (5) year warranty. Honda products have the manufacturers' warranty and Akron Brass disclaims any warranty in respect of those products.
 © 2016 Akron Brass Company. All rights reserved. No portion of this can be reproduced without the express written consent of the Akron Brass Company.