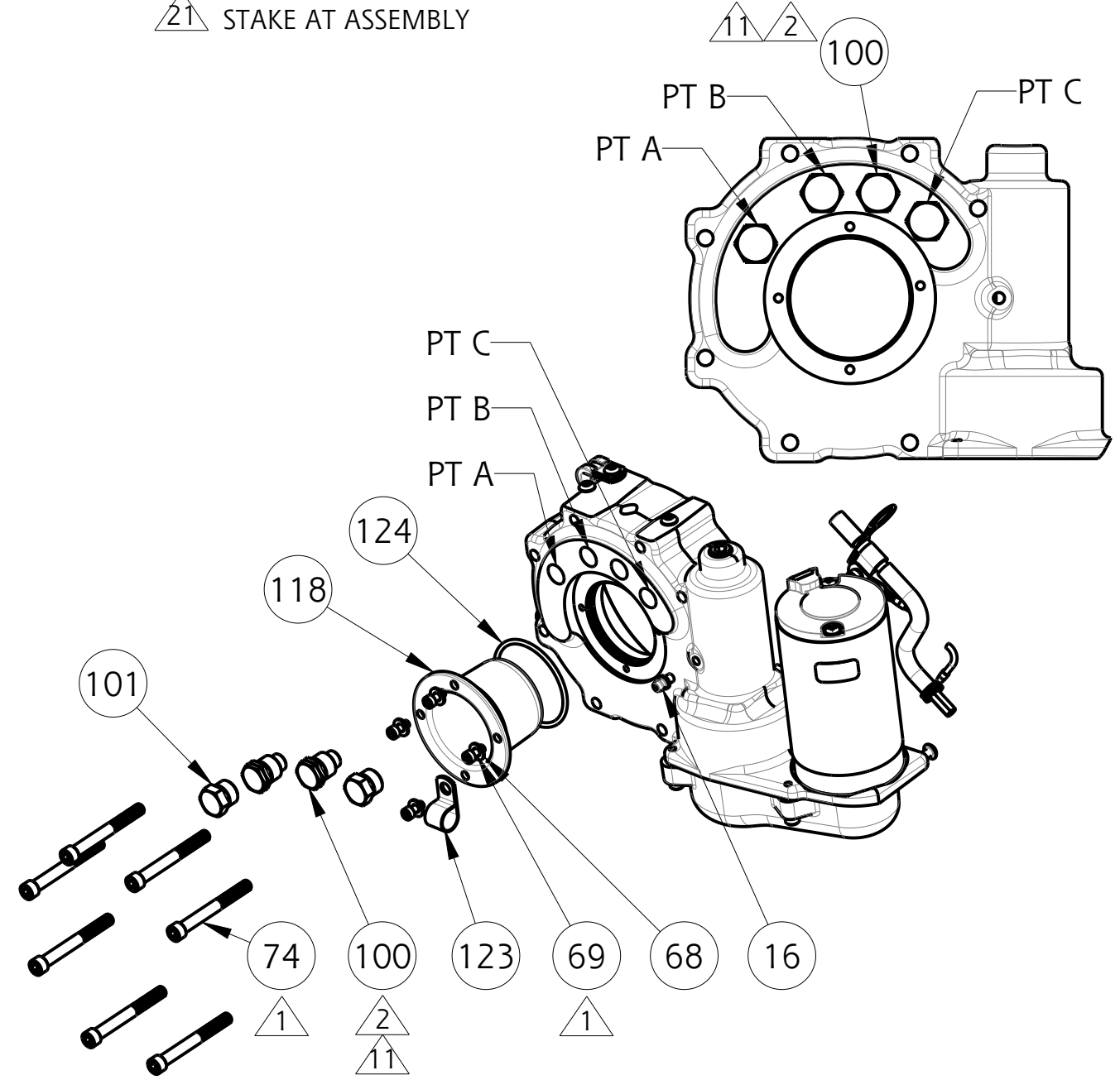


- ASSEMBLY NOTES:  
 USE PARKER O-LUBE ON ALL O-RINGS AND MATING SURFACES UNLESS OTHERWISE NOTED.
- 1 USE PERMABOND LM113 OR LOCTITE 222.
  - 2 USE PRIMER T AND PERMABOND HH120 OR LOCTITE 277.
  - 3 USE MOBILITH SHC460.
  - 4 DIMPLE AT ASSEMBLY.
  - 6 USE PERMABOND LH050 OR LOCTITE 592.
  - 8 GENERAL DEPICTION SEE BILL OF MATERIAL.
  - 9 ALIGN BALL IN HOLE. TIGHTEN PLUG UNTIL TOUCHES BALL. THEN BACK OUT PLUG 1/4-1/2 TURN.
  - 10 ASSEMBLE SOUTH POLE OF MAGNET ON SAME SIDE AS DRILL POINT. USE PERMABOND 200 TO HOLD MAGNET IN PLACE. DRILL POINT SHOULD BE DOWN WHEN JOINT IS AT ZERO POSITION.
  - 11 LOCATION OF PERMANENT STOP.
  - 13 USE PRIMER T AND LOCTITE 680.
  - 14 OPTIONAL HANDWHEEL AS SPECIFIED
  - 15 CAN NOT BE USED WITH HANDWHEEL OPTION
  - 16 THOROUGHLY CLEAN THREADS OF PLUG AND MATING PART THEN APPLY LOCTITE 425.
  - 17 USE SPECIAL SLIDER 125790, ITEM 22.
  - 18 AS SPECIFIED.
  - 19 TIGHTEN TO 35in-lbs MAX.
  - 20 TIGHTEN TO 30in-lbs
  - 21 STAKE AT ASSEMBLY



ADJUSTABLE ELEVATION STOP LOCATIONS 100

ANGLE OF ELEVATION	STOP LOCATIONS
-45°, +90° (STD)	PT B
-45°, +45°	PT A
-45°, +120°	NO STOPS
-15°, +45°	PT A, PT C
-15°, +90°	PT B, PT C
-15°, +120°	PT C

ALL OTHER LOCATIONS 101

PHONE: 800.228.1161 | [www.akronbrass.com](http://www.akronbrass.com)

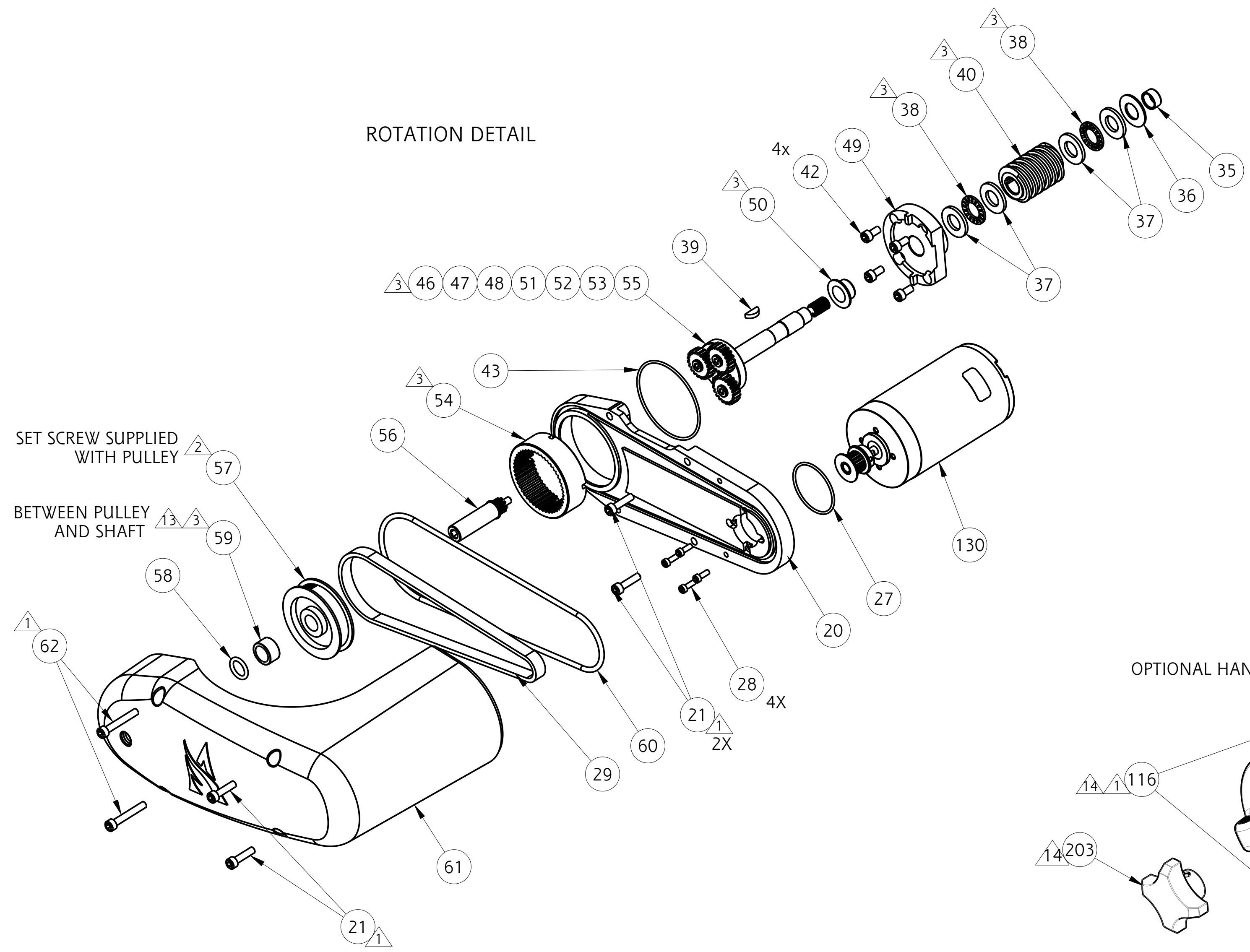
WARRANTY AND DISCLAIMER\*: We warrant Akron Brass products for a period of five (5) years\* after purchase against defects in materials or workmanship. Akron Brass will repair or replace product which fails to satisfy this warranty. Repair or replacement shall be at the discretion of Akron Brass. Products must be promptly returned to Akron Brass for warranty service. We will not be responsible for: wear and tear; any improper installation, use, maintenance or storage; negligence of the owner or user; repair or modification after delivery; failure to follow our instructions or recommendations; or anything else beyond our control. WE MAKE NO WARRANTIES, EXPRESS OR IMPLIED, OTHER THAN THOSE INCLUDED IN THIS WARRANTY STATEMENT, AND WE DISCLAIM ANY IMPLIED WARRANTY OF MERCHANTABILITY OR FITNESS FOR ANY PARTICULAR PURPOSE. Further, we will not be responsible for any consequential, incidental or indirect damages (including, but not limited to, any loss of profits) from any cause whatsoever. No person has authority to change this warranty. \*Unless otherwise provided herein. Akron Brass industrial electronic components & the Severe-Duty Monitor have a one (1) year warranty. Select Akron Brass handline nozzles and valves carry a ten (10) year warranty. Scene Star Lights carry a (6) year warranty. Weldon products have a two (2) year warranty from date of manufacture (excluding consumable components). Select Weldon LED products carry a five (5) year warranty. Honda products have the manufacturers' warranty and Akron Brass disclaims any warranty in respect of those products.

© 2016 Akron Brass Company. All rights reserved. No portion of this can be reproduced without the express written consent of the Akron Brass Company.

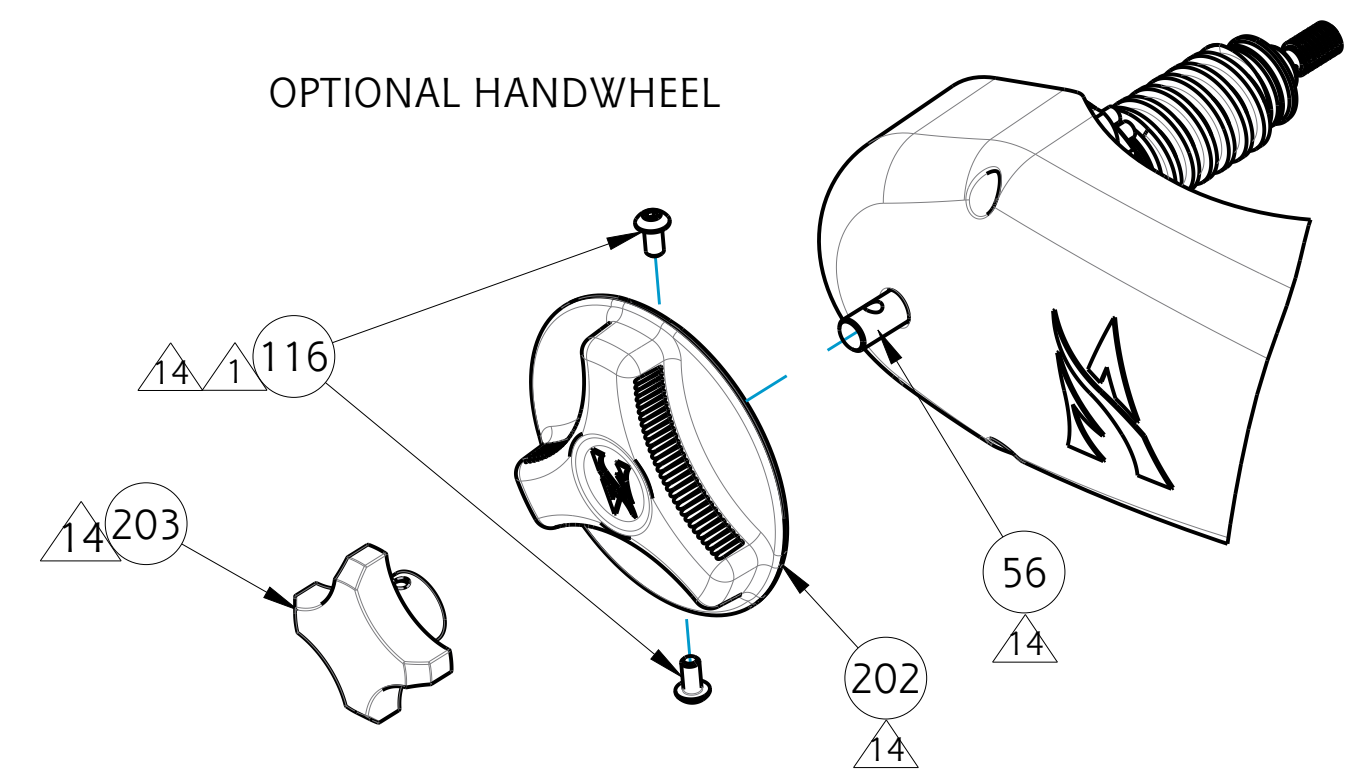
Parts List Sheet:  
 123965  
 D46488

- ASSEMBLY NOTES:
- USE PARKER O-LUBE ON ALL O-RINGS AND MATING SURFACES UNLESS OTHERWISE NOTED.
  - 1 USE PERMABOND LM113 OR LOCTITE 222.
  - 2 USE PRIMER T AND PERMABOND HH120 OR LOCTITE 277.
  - 3 USE MOBILITH SHC460.
  - 4 DIMPLE AT ASSEMBLY.
  - 6 USE PERMABOND LH050 OR LOCTITE 592.
  - 8 GENERAL DEPICTION SEE BILL OF MATERIAL.
  - 9 ALIGN BALL IN HOLE. TIGHTEN PLUG UNTIL TOUCHES BALL. THEN BACK OUT PLUG 1/4-1/2 TURN.
  - 10 ASSEMBLE SOUTH POLE OF MAGNET ON SAME SIDE AS DRILL POINT. USE PERMABOND 200 TO HOLD MAGNET IN PLACE. DRILL POINT SHOULD BE DOWN WHEN JOINT IS AT ZERO POSITION.
  - 11 LOCATION OF PERMANENT STOP.
  - 13 USE PRIMER T AND LOCTITE 680.
  - 14 OPTIONAL HANDWHEEL AS SPECIFIED
  - 15 CAN NOT BE USED WITH HANDWHEEL OPTION
  - 16 THOROUGHLY CLEAN THREADS OF PLUG AND MATING PART THEN APPLY LOCTITE 425.
  - 17 USE SPECIAL SLIDER 125790, ITEM 22.
  - 18 AS SPECIFIED.
  - 19 TIGHTEN TO 35in-lbs MAX.
  - 20 TIGHTEN TO 30in-lbs
  - 21 STAKE AT ASSEMBLY

ROTATION DETAIL



OPTIONAL HANDWHEEL



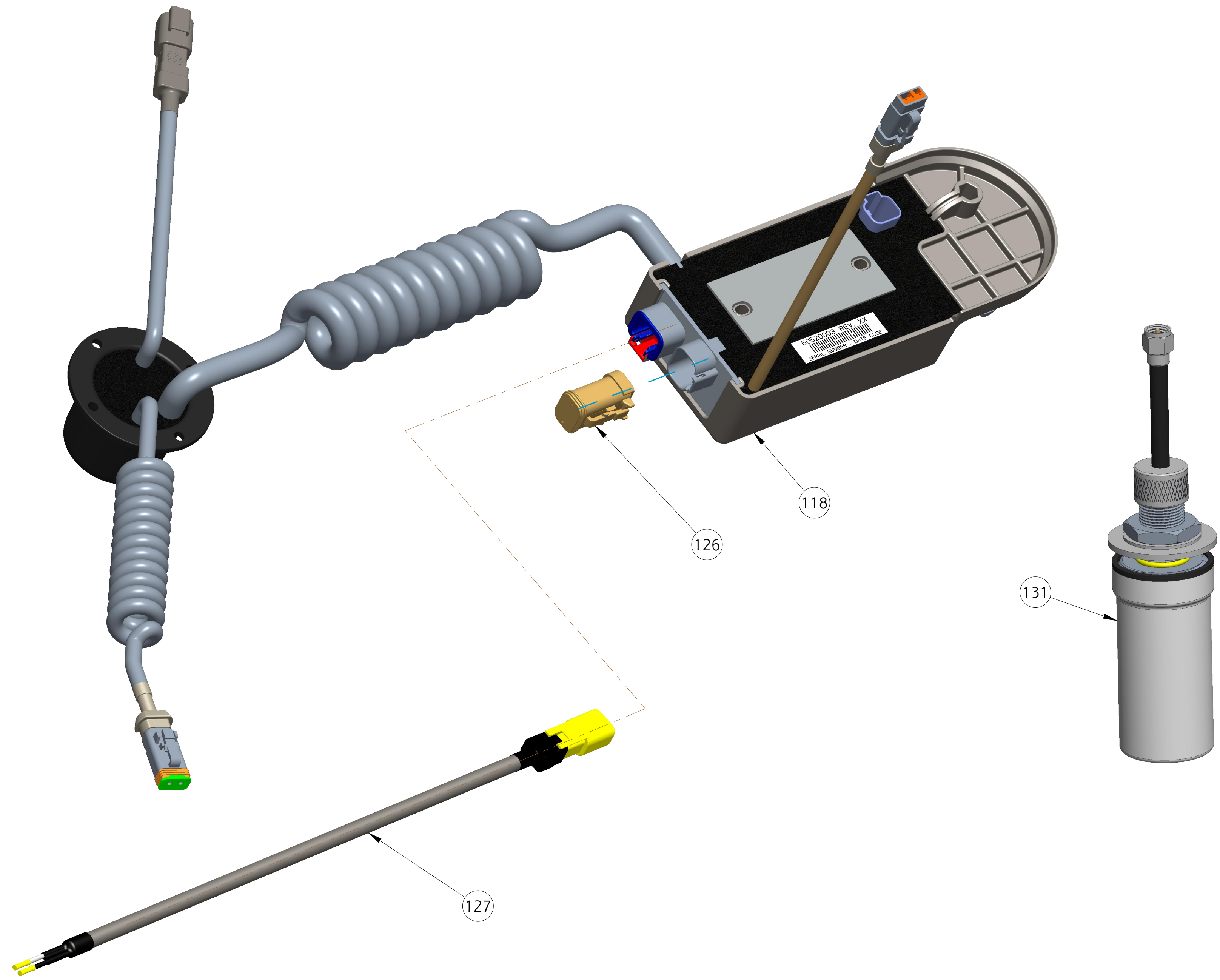
PHONE: 800.228.1161 | [www.akronbrass.com](http://www.akronbrass.com)

Parts List Sheet:

123965

WARRANTY AND DISCLAIMER\*: We warrant Akron Brass products for a period of five (5) years\* after purchase against defects in materials or workmanship. Akron Brass will repair or replace product which fails to satisfy this warranty. Repair or replacement shall be at the discretion of Akron Brass. Products must be promptly returned to Akron Brass for warranty service. We will not be responsible for: wear and tear; any improper installation, use, maintenance or storage; negligence of the owner or user; repair or modification after delivery; failure to follow our instructions or recommendations; or anything else beyond our control. WE MAKE NO WARRANTIES, EXPRESS OR IMPLIED, OTHER THAN THOSE INCLUDED IN THIS WARRANTY STATEMENT, AND WE DISCLAIM ANY IMPLIED WARRANTY OF MERCHANTABILITY OR FITNESS FOR ANY PARTICULAR PURPOSE. Further, we will not be responsible for any consequential, incidental or indirect damages (including, but not limited to, any loss of profits) from any cause whatsoever. No person has authority to change this warranty. \*Unless otherwise provided herein. Akron Brass industrial electronic components & the Severe-Duty Monitor have a one (1) year warranty. Select Akron Brass handline nozzles and valves carry a ten (10) year warranty. Scene Star Lights carry a (6) year warranty. Weldon products have a two (2) year warranty from date of manufacture (excluding consumable components). Select Weldon LED products carry a five (5) year warranty. Honda products have the manufacturers' warranty and Akron Brass disclaims any warranty in respect of those products.

© 2016 Akron Brass Company. All rights reserved. No portion of this can be reproduced without the express written consent of the Akron Brass Company.



PHONE: 800.228.1161 | [www.akronbrass.com](http://www.akronbrass.com)

**WARRANTY AND DISCLAIMER\***: We warrant Akron Brass products for a period of five (5) years\* after purchase against defects in materials or workmanship. Akron Brass will repair or replace product which fails to satisfy this warranty. Repair or replacement shall be at the discretion of Akron Brass. Products must be promptly returned to Akron Brass for warranty service. We will not be responsible for: wear and tear; any improper installation, use, maintenance or storage; negligence of the owner or user; repair or modification after delivery; failure to follow our instructions or recommendations; or anything else beyond our control. **WE MAKE NO WARRANTIES, EXPRESS OR IMPLIED, OTHER THAN THOSE INCLUDED IN THIS WARRANTY STATEMENT, AND WE DISCLAIM ANY IMPLIED WARRANTY OF MERCHANTABILITY OR FITNESS FOR ANY PARTICULAR PURPOSE.** Further, we will not be responsible for any consequential, incidental or indirect damages (including, but not limited to, any loss of profits) from any cause whatsoever. No person has authority to change this warranty. \*Unless otherwise provided herein. Akron Brass industrial electronic components & the Severe-Duty Monitor have a one (1) year warranty. Select Akron Brass handline nozzles and valves carry a ten (10) year warranty. Scene Star Lights carry a (6) year warranty. Weldon products have a two (2) year warranty from date of manufacture (excluding consumable components). Select Weldon LED products carry a five (5) year warranty. Honda products have the manufacturers' warranty and Akron Brass disclaims any warranty in respect of those products.

© 2016 Akron Brass Company. All rights reserved. No portion of this can be reproduced without the express written consent of the Akron Brass Company.

Parts List Sheet:  
 123965

D46488



TECHNICAL SERVICE PARTS  
 STYLE 3480, 3482  
 PRODUCT STREAMMASTER II

IF AN ITEM IS NOTED AS "NOT FIELD REPAIRABLE", OR YOU WISH TO RETURN AN ITEM TO AKRON BRASS FOR SERVICE PLEASE GO ONLINE TO, [ONLINEREPAIR.AKRONBRASS.COM](http://ONLINEREPAIR.AKRONBRASS.COM)

Chg.	Date
30	11-25
31	04-26

ITEM NO.	DESCRIPTION	PART NO.	QTY 3480	QTY 3482
1	BASE 3"	128384	-	1
1	BASE 4" WITH Ø .691 BOLT HOLES	128382	1	-
1	BASE 4" WITH Ø .750 BOLT HOLES	128390	1	-
1	BASE DN100	128386	1	-
1	BASE DN80	128388	-	1
2	BASE AERIAL VALVE MANIFOLD	127383	1	1
2	ELBOW INLET	126973	1	1
3	ELBOW OUTLET 3.5" NH	128246	1	-
3	ELBOW OUTLET 2.5" NH	124138	-	1
3	ELBOW OUTLET 3.5" NH FE90	128436	1	-
10	C O-RING 2-343	757319	1	1
11	C O-RING 2-241	757210	1	1
12	C O-RING 2-158	757326	1	1
13	A,C 3/8" BALL BEARING	-	75	75
14	C PLUG	742112	2	2
15	C PLUG W/HOLE	742123	2	2
16	GREASE FITTING	713191	4	4
20	FLANGE ROTATION	712297	1	1
21	SCREW 10-24 X 3/4	767086	8	8
22	SLIDER	125789	1	1
22	SLIDER(± 22.5° ONLY)	125790	1	1
26	MOTOR S/A 12V	34800002	1	1
26	MOTOR S/A 24V	34800003	1	1
27	*,C O-RING 2-029	757056	2	2
28	SCREW 6-32 X 1/2	765052	8	8
29	F,M BELT 85 TEETH	803061	1	1
35	G BUSHING	803063	1	1
36	D,G SPRING	769276	2	2
37	D,G THRUST WASHER	784121	8	8
38	D,G NEEDLE BEARING	703453	4	4
39	D,G WOODRUFF KEY	727025	2	2
40	D,G WORM GEAR	718273	2	2
42	D,G SCREW 10-24 X 3/8	767029	8	8
43	G O-RING 2-036	757312	1	1
44	L GEAR	718337	1	1
46	K SHAFT	769951	1	1
47	K,G WORM GEAR	718303	1	1
48	K,G ROLL PIN 1/16 x 3/8	744341	1	1
49	D,G PLUG	123938	2	2
50	D,G BUSHING	703819	2	2
51	K PLANET GEAR	718262	3	3
52	H,K,L BUSHING	703989	12	12
53	H,K,L SCREW SHOULDER	803059	11	11
54	K GEAR	718338	1	1
55	E,K BUSHING	803065	1	1
56	F SHAFT	769950	1	1
57	F,M PULLEY	745240	1	1
58	D,F,M O-RING 2-112	757313	2	2
59	F,M BEARING	704395	1	1
60	F,M O-RING 2-164	757486	1	1
61	COVER-ROTATION	807017	1	1
62	SCREW 10-24 X 1-1/4	767100	2	2
65	B WORM GEAR	718302	1	1

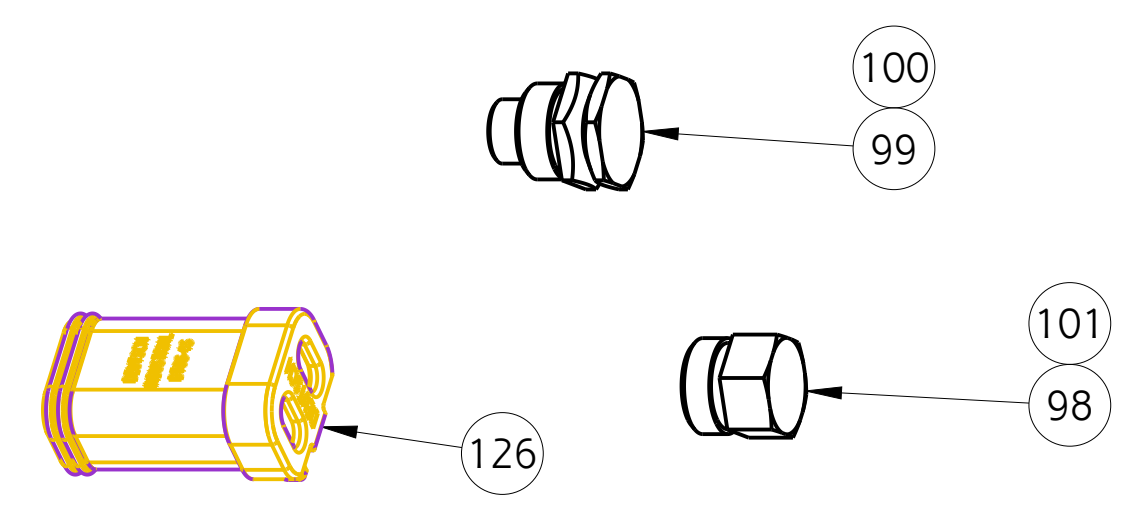
ITEM NO.	DESCRIPTION	PART NO.	QTY 3480	QTY 3482
66	B O-RING 2-120	757020	1	1
67	B MAGNET	731139	1	1
68	WASHER #8	784123	6	6
69	SCREW 8-32 X 3/8	765064	4	4
70	MAGNETIC SENSOR ASSY	60430005	1	1
71	SCREW 8-32 X 3/4	765178	2	2
73	GEARBOX HOUSING	123935	1	1
74	SCREW 1/4-20 X 2-1/4	765310	7	7
75	WORM GEAR	123934	1	1
76	SCREW 1/4-20 X 3/4	765030	8	8
77	C BEARING	803058	1	1
78	C BEARING	803057	1	1
79	C O-RING 2-242	757073	1	1
80	C O-RING 2-246	757076	1	1
81	C O-RING 2-347	757446	1	1
82	C O-RNG 2-348	757376	1	1
83	RETAINING RING	758326	1	1
84	MARKER POSITION MAGNET	731127	1	1
85	SCREW 6-32 X 5/8	765179	2	2
88	E O-RING 2-154	757358	1	1
89	D BEARING	703995	1	1
90	H SHAFT	769949	1	1
90	L SHAFT	768470	1	1
91	H,L GEAR PLANET	718339	8	8
92	H,K,L CARRIER	742241	1	1
93	H,L BUSHING	803064	1	1
94	E SHAFT PULLEY	769948	1	1
95	E PULLEY	745241	1	1
96	E BELT	803062	1	1
97	GEAR BOX COVER	807016	1	1
98	PLUG - ROTATION	744337	4	4
99	STOP - ROTATION	769498	3	3
100	M STOP - ELEVATION	769843	2	2
101	PLUG - ELEVATION	745187	2	2
103	TAG 3482	745285	-	1
103	TAG 3480	744551	1	-
104	NAIL GRIP	736052	4	4
105	PIPE PLUG	744009	2	2
105	PRESSURE GUAGE bar/MPa	718323	1	1
105	PRESSURE GUAGE kPa/PSI	718322	1	1
106	COVER-ELEVATION	807087	1	1
111	CABLE CLAMP	807139	2	2
112	HANDLE OVERRIDE	721291	2	2
113	COTTER PIN	744339	2	2
114	LANYARD 10"	729117	2	2
115	RETAINING RING	758203	6	6
116	SCREW BTTN 10-24 X 3/8	765143	2	2
117	SCREW BTTN NYLON PATCH 10-24 X 3/4	761103	1	1
118	CONTROLLER 2.4 GHz	60520003	1	1
118	CONTROLLER 900 MHz	60520004	1	1
119	SCREW 10-24 X 1-5/8	763035	2	2
120	WASHER	784072	2	2
121	CABLE CLAMP	707436	2	2

ITEM NO.	DESCRIPTION	PART NO.	QTY 3480	QTY 3482
122	CABLE CLAMP 5/16	707548	1	1
123	CABLE CLAMP 1/2	707188	1	1
124	O-RING 2-136	757083	1	1
125	SCREW SET 5/16-18 x 1/4	765071	4	4
126	PLUG 4PIN DEUTSCH	745230	1	1
127	POWER HARNESS U2 8'	721682	1	1
127	POWER HARNESS U2 4'	721695	1	1
127	POWER HARNESS U2 10'	721696	1	1
130	MOTOR S/A 12V	34800022	1	1
130	MOTOR S/A 24V	34800023	1	1
131	EXTERNAL ANTENNA KIT (OPTIONAL) 2.4 GHz	34800057	1	1
132	OUTLET ADAPTER 2.50"BSP	104359	1	1
133	ADAPTER GASKET	717043	1	1
134	SCREW SOCKET HEAD CUP POINT SET 1/4-20 x 1/4"	765002	1	1
135	SCREW BTTN NYLON PATCH 10-24 X 3/8	761104	4	4

OPTIONAL HANDWHEEL					
56	M	ROTATION SHAFT	768469	1	1
90	L	ELEVATION SHAFT	768470	1	1
116		SCREW BUTTON HEAD CAP 10-24 X 3/8	765143	4	4
202		HANDWHEEL (STANDARD)	721745	2	2
203		HANDWHEEL (OPTIONAL, ROTATION ONLY)	127995	1	1

A	KIT OF 50 BALLS: 3/8" STAINLESS STEEL	123982
B	WORM GEAR SENSOR KIT	34800014
C	FIELD SERVICE KIT	92200001
D	ELEVATION ACTUATOR REPAIR KIT	34800076
E	ELEVATION BELT REPAIR KIT	34800077
F	ROTATION BELT REPAIR KIT	34800078
G	ROTATION ACTUATOR REPAIR KIT	34800079
***, H	PLANETARY GEAR ELEVATION WITH SHAFT	34800112
***, K	PLANETARY GEAR ROTATION	34800113
***, L	PLANETARY GEAR ELEVATION HANDWHEEL VERSION	34803123
M	ROTATION BELT REPAIR KIT HANDWHEEL VERSION	34800096

\* INCLUDED WITH MOTOR S/A ITEMS 26 AND 130.  
 \*\* REPLACES SHAFT WITHOUT HANDWHEEL.  
 \*\*\* USE ALL GEARS PROVIDED IN KIT.



PHONE: 800.228.1161 | [www.akronbrass.com](http://www.akronbrass.com)

WARRANTY AND DISCLAIMER\*: We warrant Akron Brass products for a period of five (5) years\* after purchase against defects in materials or workmanship. Akron Brass will repair or replace product which fails to satisfy this warranty. Repair or replacement shall be at the discretion of Akron Brass. Products must be promptly returned to Akron Brass for warranty service. We will not be responsible for: wear and tear; any improper installation, use, maintenance or storage; negligence of the owner or user; repair or modification after delivery; failure to follow our instructions or recommendations; or anything else beyond our control. WE MAKE NO WARRANTIES, EXPRESS OR IMPLIED, OTHER THAN THOSE INCLUDED IN THIS WARRANTY STATEMENT, AND WE DISCLAIM ANY IMPLIED WARRANTY OF MERCHANTABILITY OR FITNESS FOR ANY PARTICULAR PURPOSE. Further, we will not be responsible for any consequential, incidental or indirect damages (including, but not limited to, any loss of profits) from any cause whatsoever. No person has authority to change this warranty. \*Unless otherwise provided herein. Akron Brass industrial electronic components & the Severe-Duty Monitor have a one (1) year warranty. Select Akron Brass handline nozzles and valves carry a ten (10) year warranty. Scene Star Lights carry a (6) year warranty. Weldon products have a two (2) year warranty from date of manufacture (excluding consumable components). Select Weldon LED products carry a five (5) year warranty. Honda products have the manufacturers' warranty and Akron Brass disclaims any warranty in respect of those products.  
 © 2016 Akron Brass Company. All rights reserved. No portion of this can be reproduced without the express written consent of the Akron Brass Company.

Parts List Sheet:  
 123965  
 D46488