



TECHNICAL SERVICE PARTS

STYLE 2325
 PRODUCT 1.5" PROPORTIONER

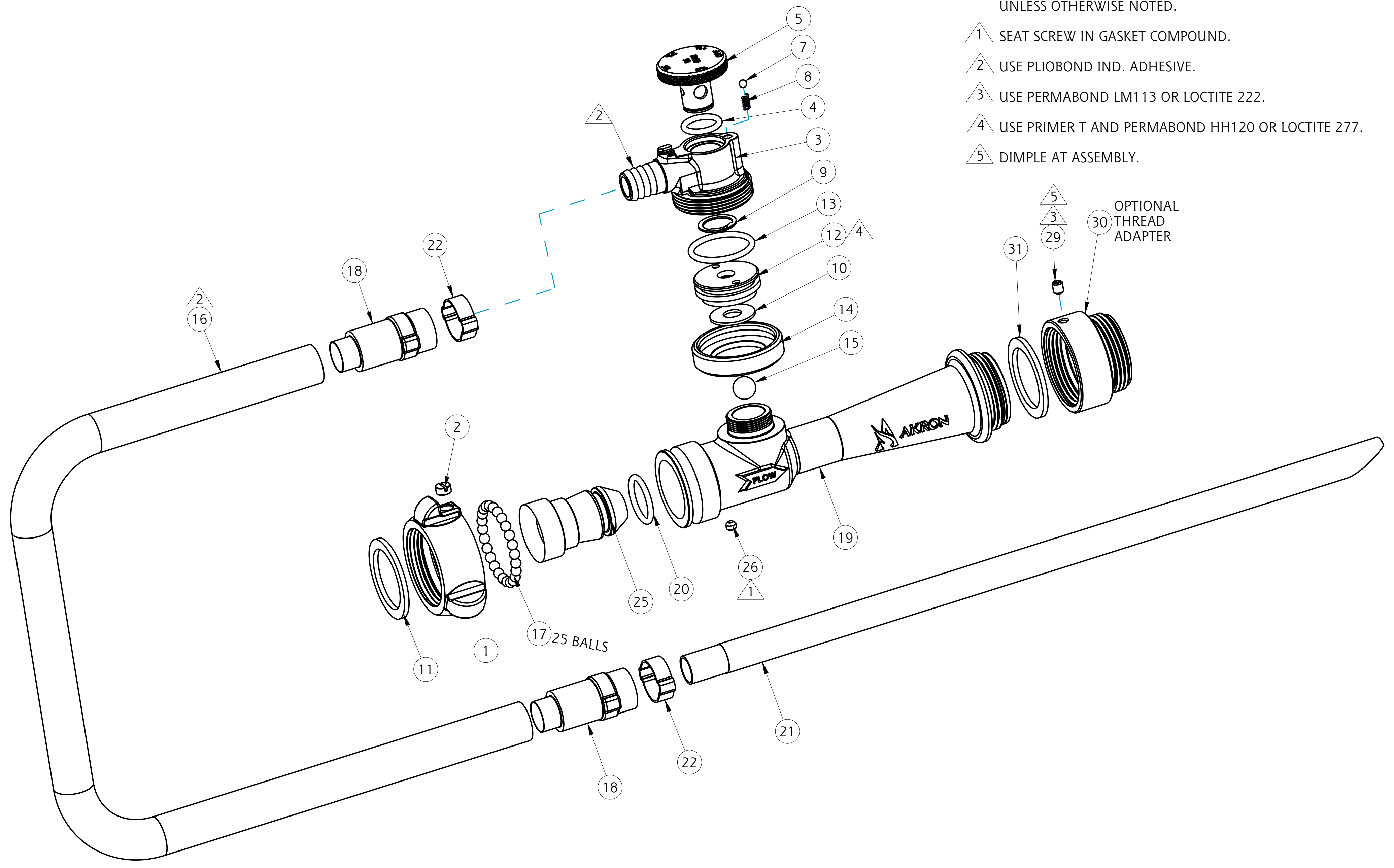
IF AN ITEM IS NOTED AS "NOT FIELD REPAIRABLE", OR YOU WISH TO RETURN AN ITEM TO AKRON BRASS FOR SERVICE PLEASE GO ONLINE TO, ONLINEREPAIR.AKRONBRASS.COM

Chg.	Date
19	09-17
20	12-25

ASSEMBLY NOTES:

USE PARKER O-LUBE ON ALL O-RINGS AND MATING SURFACES UNLESS OTHERWISE NOTED.

- 1 SEAT SCREW IN GASKET COMPOUND.
- 2 USE PLIOBOND IND. ADHESIVE.
- 3 USE PERMABOND LM113 OR LOCTITE 222.
- 4 USE PRIMER T AND PERMABOND HH120 OR LOCTITE 277.
- 5 DIMPLE AT ASSEMBLY.



PHONE: 800.228.1161 | www.akronbrass.com

WARRANTY AND DISCLAIMER*: We warrant Akron Brass products for a period of five (5) years* after purchase against defects in materials or workmanship. Akron Brass will repair or replace product which fails to satisfy this warranty. Repair or replacement shall be at the discretion of Akron Brass. Products must be promptly returned to Akron Brass for warranty service. We will not be responsible for: wear and tear; any improper installation, use, maintenance or storage; negligence of the owner or user; repair or modification after delivery; failure to follow our instructions or recommendations; or anything else beyond our control. WE MAKE NO WARRANTIES, EXPRESS OR IMPLIED, OTHER THAN THOSE INCLUDED IN THIS WARRANTY STATEMENT, AND WE DISCLAIM ANY IMPLIED WARRANTY OF MERCHANTABILITY OR FITNESS FOR ANY PARTICULAR PURPOSE. Further, we will not be responsible for any consequential, incidental or indirect damages (including, but not limited to, any loss of profits) from any cause whatsoever. No person has authority to change this warranty. *Unless otherwise provided herein. Akron Brass industrial electronic components & the Severe-Duty Monitor have a one (1) year warranty. Select Akron Brass handline nozzles and valves carry a ten (10) year warranty. Scene Star Lights carry a (6) year warranty. Weldon products have a two (2) year warranty from date of manufacture (excluding consumable components). Select Weldon LED products carry a five (5) year warranty. Honda products have the manufacturers' warranty and Akron Brass disclaims any warranty in respect of those products.
 © 2016 Akron Brass Company. All rights reserved. No portion of this can be reproduced without the express written consent of the Akron Brass Company.

Parts List Sheet:

126878



TECHNICAL SERVICE PARTS
 STYLE 2325
 PRODUCT 1.5" PROPORTIONER

IF AN ITEM IS NOTED AS "NOT FIELD REPAIRABLE", OR YOU WISH TO RETURN AN ITEM TO AKRON BRASS FOR SERVICE PLEASE GO ONLINE TO, **ONLINEREPAIR.AKRONBRASS.COM**

Chg.	Date
19	09-17
20	12-25

Find		Description	Item	QTY
1	*	SWIVEL 1.50"NH	101285	1
2	A	PLUG SWIVEL	-	1
3	B,C	HEAD METERING	123866	1
4	B,C	O-RING 2-210	757001	1
5	B,C	DIAL METERING 95GPM	123864	1
7	B,C	BALL BRASS 3/16"	703050	1
8	B,C	SPRING	768023	1
9	B,C	RING RETAINING	758324	1
10	**	GASKET	716048	1
11		GASKET	717042	1
12	**	RETAINER BALL	104941	1
13		O-RING 2-220	757031	1
14	**	COLLAR SWIVEL	104942	1
15	**	BALL POLYETHELENE 9/16"	703159	1
16	B	HOSE PICK UP 30"	104219	1
16	C	HOSE PICK UP 48"	104221	1
17	A	BALL BRASS 1/4"	-	25
18	B,C	TUBE HEAT SHRINK	772163	2
19		BODY EDUCTOR 95GPM@125PSI 1.5" NH	105755	1
19		BODY EDUCTOR 95GPM@125PSI 1.5" NPT	106391	1
20		O-RING 2-214	757010	1
21	B,C	TUBE PICKUP 1.5"	772344	1
22	B,C	CLAMP HOSE 15/16"	707333	2
24		SCREW SOCKET HEAD CUP POINT SET 1/4-20 X 1/4"	765002	1
25		TUBE BLENDING 95GPM@125PSI	105754	1
26		SCREW SOCKET HEAD CUP POINT SET 1/4-20 X 3/16"	765008	1
30		OPTIONAL THREAD ADPAPTER 1.5"NPSH	102878	1
30		OPTIONAL THREAD ADPAPTER 1.5"BSP	102864	1
31		GASKET	717042	1
A		KIT OF 50 BALLS 1/4" BRASS	109041	
B		PICK UP ASSEMBLY 30" HOSE	23250008	
C		PICK UP ASSEMBLY 48" HOSE	23250013	

* ONLY NH THREAD SHOWN. FOR OTHER THREADS CONTACT AKRON BRASS CUSTOMER SEVICE.
 ** ITEMS ARE NOT FIELD REPLACABLE. SEND UNIT TO FACTORY FOR SERVICE.

PHONE: 800.228.1161 | www.akronbrass.com

WARRANTY AND DISCLAIMER*: We warrant Akron Brass products for a period of five (5) years* after purchase against defects in materials or workmanship. Akron Brass will repair or replace product which fails to satisfy this warranty. Repair or replacement shall be at the discretion of Akron Brass. Products must be promptly returned to Akron Brass for warranty service. We will not be responsible for: wear and tear; any improper installation, use, maintenance or storage; negligence of the owner or user; repair or modification after delivery; failure to follow our instructions or recommendations; or anything else beyond our control. WE MAKE NO WARRANTIES, EXPRESS OR IMPLIED, OTHER THAN THOSE INCLUDED IN THIS WARRANTY STATEMENT, AND WE DISCLAIM ANY IMPLIED WARRANTY OF MERCHANTABILITY OR FITNESS FOR ANY PARTICULAR PURPOSE. Further, we will not be responsible for any consequential, incidental or indirect damages (including, but not limited to, any loss of profits) from any cause whatsoever. No person has authority to change this warranty. *Unless otherwise provided herein. Akron Brass industrial electronic components & the Severe-Duty Monitor have a one (1) year warranty. Select Akron Brass handline nozzles and valves carry a ten (10) year warranty. Scene Star Lights carry a (6) year warranty. Weldon products have a two (2) year warranty from date of manufacture (excluding consumable components). Select Weldon LED products carry a five (5) year warranty. Honda products have the manufacturers' warranty and Akron Brass disclaims any warranty in respect of those products.
 © 2016 Akron Brass Company. All rights reserved. No portion of this can be reproduced without the express written consent of the Akron Brass Company.

Parts List Sheet:
 126878
 D18899