



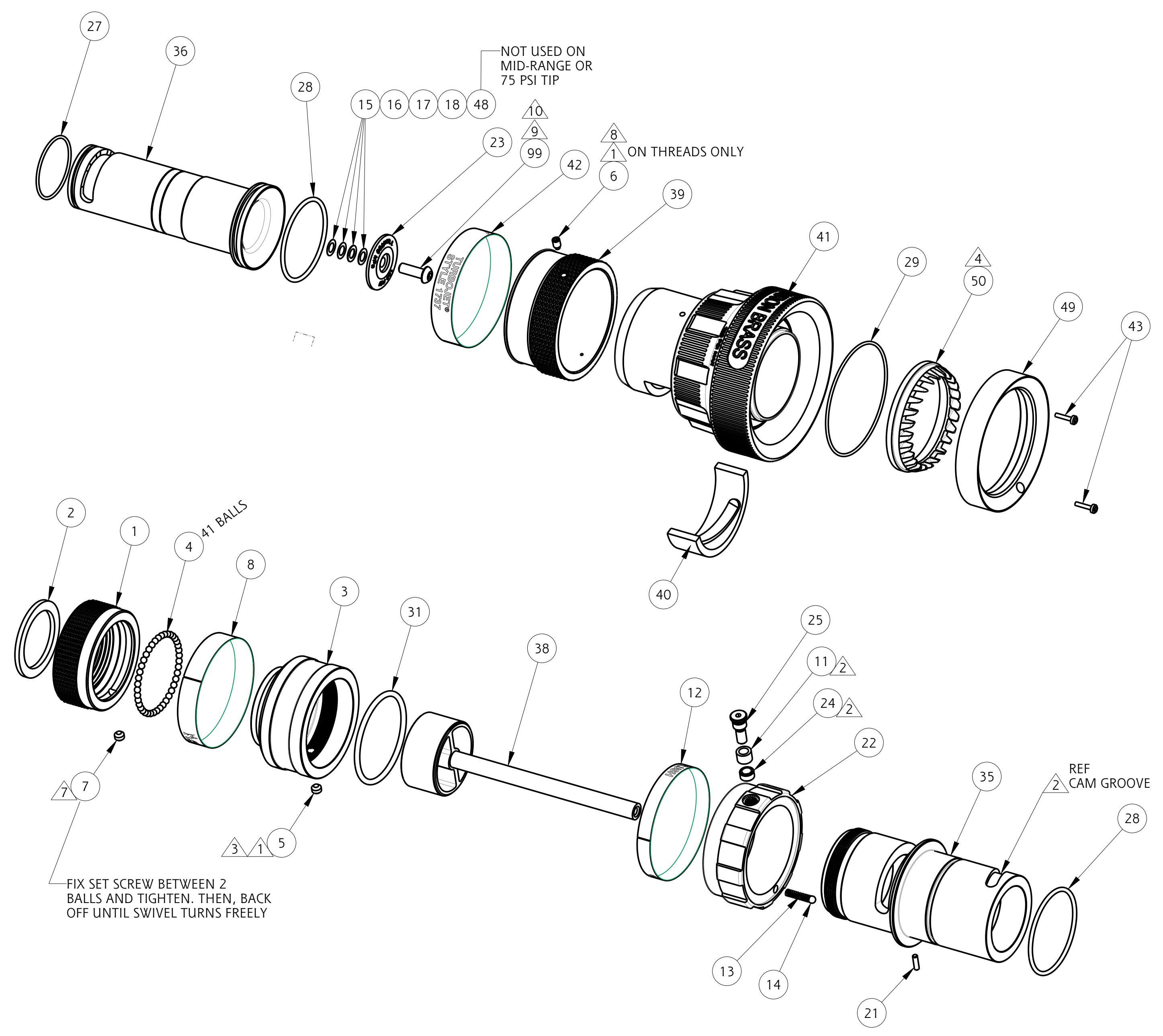
TECHNICAL SERVICE PARTS  
 STYLE 1737, 1744  
 PRODUCT MID RANGE TURBOJET TIP

IF AN ITEM IS NOTED AS "NOT FIELD REPAIRABLE", OR YOU WISH TO RETURN AN ITEM TO AKRON BRASS FOR SERVICE PLEASE GO ONLINE TO, [ONLINEREPAIR.AKRONBRASS.COM](http://ONLINEREPAIR.AKRONBRASS.COM)

Chg.	Date
01	03-20
02	03-26

- ASSEMBLY NOTES:
- USE PARKER O-LUBE ON ALL O-RINGS AND ALL MATING SURFACES.
  - △1 USE PERMABOND LM113 OR LOCTITE 222.
  - △2 USE LOW TEMP LUBRIPLATE.
  - △3 DIMPLE AT ASSEMBLY.
  - △4 DO NOT CUT TURBINE TEETH.
  - △7 STAKE AT ASSEMBLY.
  - △8 TIGHTEN SCREW.
  - △9 APPLY PERMABOND LM113 OR LOCTITE 222 TO BAFFLE SCREW AFTER CALIBRATION.
  - △10 TORQUE TO 20 in-lbs.

RAISED LUG SETTINGS:  
 BUMPER      STRAIGHT STREAM



PHONE: 800.228.1161 | [www.akronbrass.com](http://www.akronbrass.com)

Parts List Sheet:

127309

WARRANTY AND DISCLAIMER\*: We warrant Akron Brass products for a period of five (5) years\* after purchase against defects in materials or workmanship. Akron Brass will repair or replace product which fails to satisfy this warranty. Repair or replacement shall be at the discretion of Akron Brass. Products must be promptly returned to Akron Brass for warranty service. We will not be responsible for: wear and tear; any improper installation, use, maintenance or storage; negligence of the owner or user; repair or modification after delivery; failure to follow our instructions or recommendations; or anything else beyond our control. WE MAKE NO WARRANTIES, EXPRESS OR IMPLIED, OTHER THAN THOSE INCLUDED IN THIS WARRANTY STATEMENT, AND WE DISCLAIM ANY IMPLIED WARRANTY OF MERCHANTABILITY OR FITNESS FOR ANY PARTICULAR PURPOSE. Further, we will not be responsible for any consequential, incidental or indirect damages (including, but not limited to, any loss of profits) from any cause whatsoever. No person has authority to change this warranty. \*Unless otherwise provided herein. Akron Brass industrial electronic components & the Severe-Duty Monitor have a one (1) year warranty. Select Akron Brass handline nozzles and valves carry a ten (10) year warranty. Scene Star Lights carry a (6) year warranty. Weldon products have a two (2) year warranty from date of manufacture (excluding consumable components). Select Weldon LED products carry a five (5) year warranty. Honda products have the manufacturers' warranty and Akron Brass disclaims any warranty in respect of those products.

© 2016 Akron Brass Company. All rights reserved. No portion of this can be reproduced without the express written consent of the Akron Brass Company.



TECHNICAL SERVICE PARTS  
 STYLE 1737, 1744  
 PRODUCT MID RANGE TURBOJET TIP

IF AN ITEM IS NOTED AS "NOT FIELD REPAIRABLE", OR YOU WISH TO RETURN AN ITEM TO AKRON BRASS FOR SERVICE PLEASE GO ONLINE TO, **ONLINEREPAIR.AKRONBRASS.COM**

Chg.	Date
01	03-20
02	03-26

Find	Description	Item	QTY
1	*** SWIVEL 1.50 NH	127213	1
1	*** SWIVEL 1.50 NPSH	127215	1
1	*** SWIVEL 1.50 BSP	127216	1
2	GASKET	717042	1
3	ADAPTER SWIVEL 2.50"	127280	1
4	A BALL BRASS 5/32"DIA.	-	41
5	* SCREW SOCKET CUP POINT SET #1/4-20 x 3/16"	765008	1
6	SCREW SOCKET FULL DOG SET #10-24 x 5/16"	767088	1
7	SCREW SOCKET HEAD CUP POINT SET 1/4-20 x 1/4"	765002	1
8	BAND INDICATOR, RED	803364	1
11	CAM LONG ROLLER	707238	1
12	BAND DISCHARGE CONTROL 95-200 GPM - RED	803353	1
12	BAND DISCHARGE CONTROL 125-250 GPM - RED	803376	1
13	SPRING DETENT	769111	1
14	BALL STAINLESS STEEL 3/16"	704018	1
15	** SHIM BAFFLE BROWN	-	1
16	** SHIM BAFFLE PINK	-	1
17	** SHIM BAFFLE GREEN	-	1
18	** SHIM BAFFLE BLUE	-	1
21	KEY DISCHARGE	727033	1
22	RING GALLONAGE CONTROL	109108	1
23	HEAD BAFFLE 100PSI/7bar/700kPa	127277	1
23	HEAD BAFFLE 75PSI/5bar/500kPa	127279	1
24	CAM SHORT ROLLER	707239	1
25	AXLE CAM	702050	1
27	O-RING 2-029	757247	1
28	O-RING 2-137	757266	2
29	O-RING 2-040	757292	1
31	O-RING 2-228	757277	1
35	BODY NOZZLE	127271	1
36	TUBE DISCHARGE 75 PSI - 1737	127273	1
36	TUBE DISCHARGE 100 PSI - 1737	127272	1
36	TUBE DISCHARGE 75 PSI - 1744	127418	1
36	TUBE DISCHARGE 100 PSI - 1744	127414	1
38	STEM/SPIDER S/A	124970	1
39	RING PATTERN SLEEVE	127275	1

Find	Description	Item	QTY
40	INSERT CAM	723038	1
41	BUMPER/PATTERN SLEEVE S/A	17234004	1
42	BAND PATTERN INDICATOR, RED - 1737	803362	1
42	BAND PATTERN INDICATOR, RED - 1744	803378	1
43	SCREW SOCKET HEAD CAP #6-32 x 5/8"	765179	2
49	RING TURBINE RETAINER	758357	1
50	TEETH TURBINE PLASTIC	772149	1
99	SCREW SOCKET BUTTON HEAD CAP 1/4-20 x 3/4"	765147	1
A	KIT OF 50 BALLS	109042	

\* IF REPLACING SET SCREW FOR SWIVEL ADAPTER FOR A NOZZLE PURCHASED PRIOR TO 05-2026, USE ITEM 765024.  
 \*\* INSTALLED AT FACTORY FOR FINAL FLOW CALIBRATION.  
 \*\*\* FOR OTHER THREADS ORDER BY DESCRIPTION AND THREAD SIZE (ODM AND TPI) OR BY AKRON THREAD CODE.

PHONE: 800.228.1161 | www.akronbrass.com

Parts List Sheet:

127309

WARRANTY AND DISCLAIMER\*: We warrant Akron Brass products for a period of five (5) years\* after purchase against defects in materials or workmanship. Akron Brass will repair or replace product which fails to satisfy this warranty. Repair or replacement shall be at the discretion of Akron Brass. Products must be promptly returned to Akron Brass for warranty service. We will not be responsible for: wear and tear; any improper installation, use, maintenance or storage; negligence of the owner or user; repair or modification after delivery; failure to follow our instructions or recommendations; or anything else beyond our control. WE MAKE NO WARRANTIES, EXPRESS OR IMPLIED, OTHER THAN THOSE INCLUDED IN THIS WARRANTY STATEMENT, AND WE DISCLAIM ANY IMPLIED WARRANTY OF MERCHANTABILITY OR FITNESS FOR ANY PARTICULAR PURPOSE. Further, we will not be responsible for any consequential, incidental or indirect damages (including, but not limited to, any loss of profits) from any cause whatsoever. No person has authority to change this warranty. \*Unless otherwise provided herein. Akron Brass industrial electronic components & the Severe-Duty Monitor have a one (1) year warranty. Select Akron Brass handline nozzles and valves carry a ten (10) year warranty. Scene Star Lights carry a (6) year warranty. Weldon products have a two (2) year warranty from date of manufacture (excluding consumable components). Select Weldon LED products carry a five (5) year warranty. Honda products have the manufacturers' warranty and Akron Brass disclaims any warranty in respect of those products.  
 © 2016 Akron Brass Company. All rights reserved. No portion of this can be reproduced without the express written consent of the Akron Brass Company.