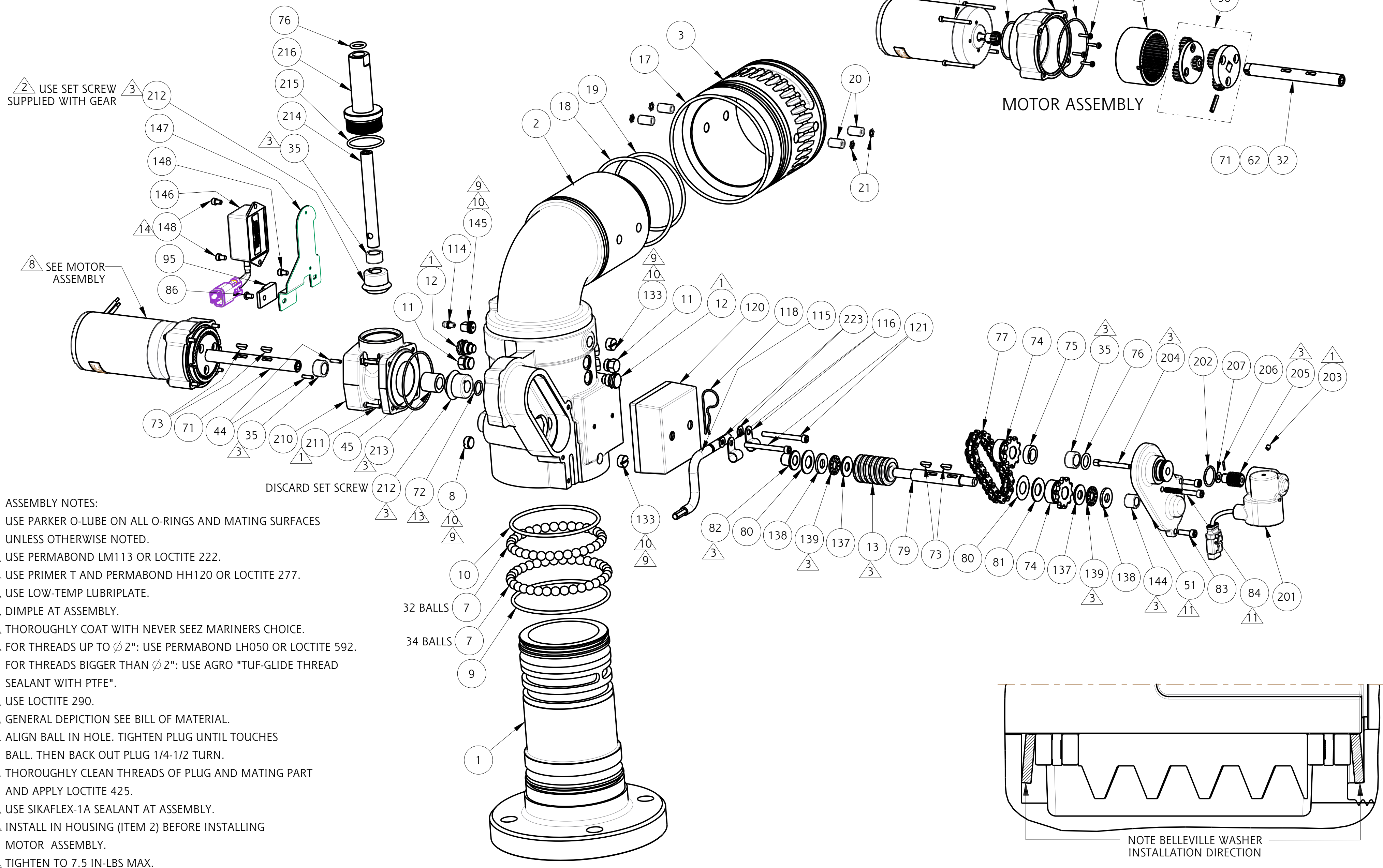




TECHNICAL SERVICE PARTS
 STYLE 3440
 PRODUCT DECKMASTER W/POSITION FEEDBACK

IF AN ITEM IS NOTED AS "NOT FIELD REPAIRABLE", OR YOU WISH TO RETURN AN ITEM TO AKRON BRASS FOR SERVICE PLEASE GO ONLINE TO, ONLINEREPAIR.AKRONBRASS.COM

Chg.	Date
18	09-22
19	04-26



2 USE SET SCREW SUPPLIED WITH GEAR

8 SEE MOTOR ASSEMBLY

- ASSEMBLY NOTES:
 USE PARKER O-LUBE ON ALL O-RINGS AND MATING SURFACES UNLESS OTHERWISE NOTED.
- 1 USE PERMABOND LM113 OR LOCTITE 222.
 - 2 USE PRIMER T AND PERMABOND HH120 OR LOCTITE 277.
 - 3 USE LOW-TEMP LUBRIPLATE.
 - 4 DIMPLE AT ASSEMBLY.
 - 5 THOROUGHLY COAT WITH NEVER SEEZ MARINERS CHOICE.
 - 6 FOR THREADS UP TO $\varnothing 2"$: USE PERMABOND LH050 OR LOCTITE 592. FOR THREADS BIGGER THAN $\varnothing 2"$: USE AGRO "TUF-GLIDE THREAD SEALANT WITH PTFE".
 - 7 USE LOCTITE 290.
 - 8 GENERAL DEPICTION SEE BILL OF MATERIAL.
 - 9 ALIGN BALL IN HOLE. TIGHTEN PLUG UNTIL TOUCHES BALL. THEN BACK OUT PLUG 1/4-1/2 TURN.
 - 10 THOROUGHLY CLEAN THREADS OF PLUG AND MATING PART AND APPLY LOCTITE 425.
 - 11 USE SIKAFLEX-1A SEALANT AT ASSEMBLY.
 - 13 INSTALL IN HOUSING (ITEM 2) BEFORE INSTALLING MOTOR ASSEMBLY.
 - 14 TIGHTEN TO 7.5 IN-LBS MAX.

MOTOR ASSEMBLY

NOTE BELLEVILLE WASHER INSTALLATION DIRECTION

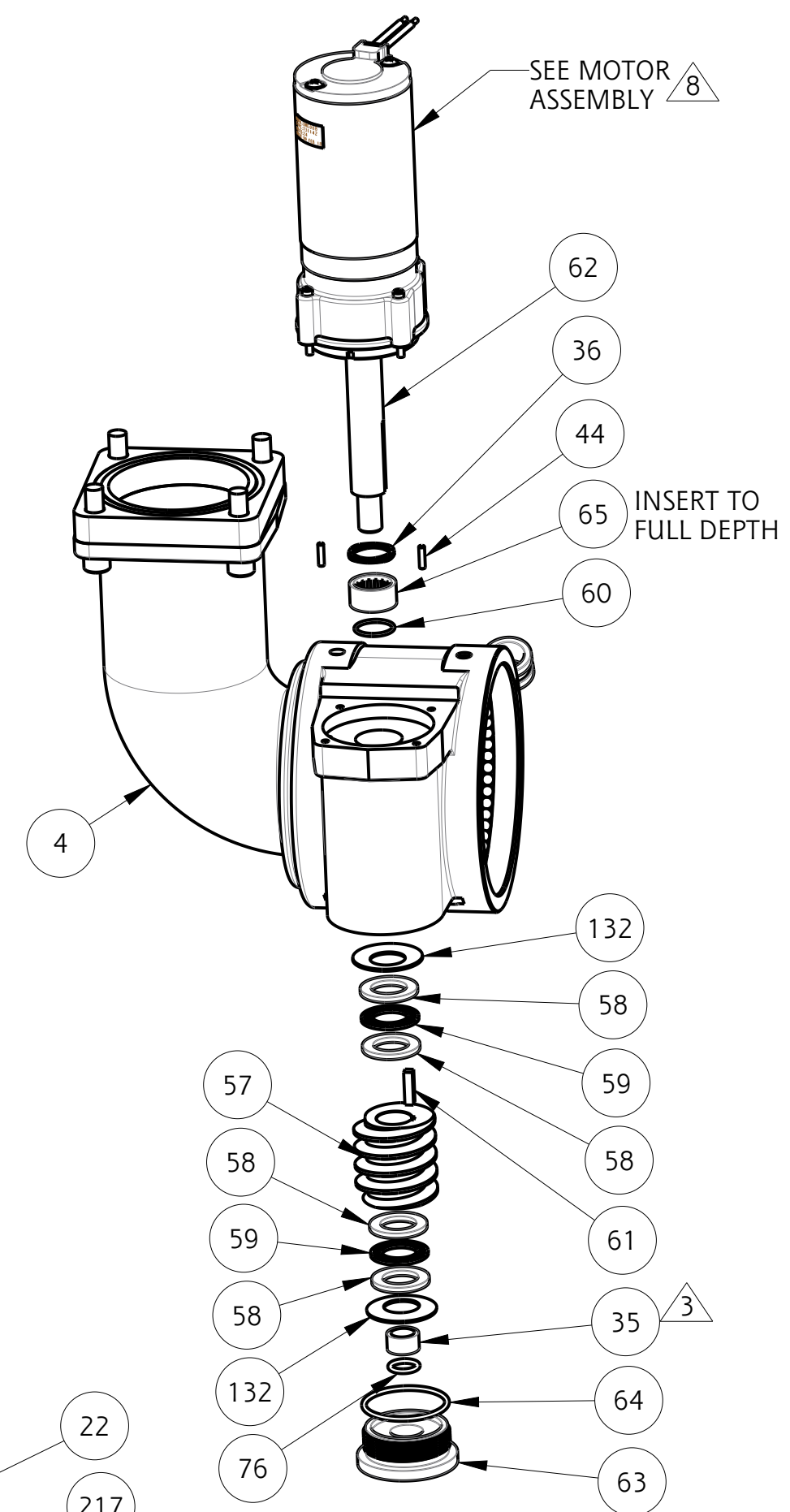
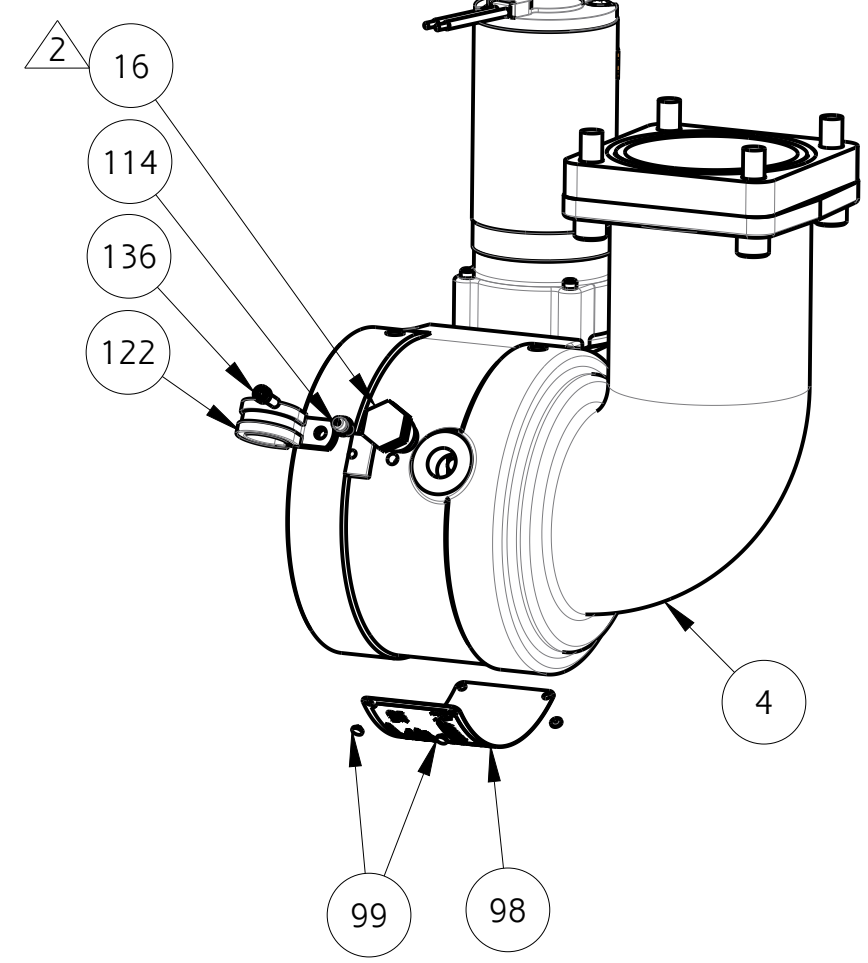
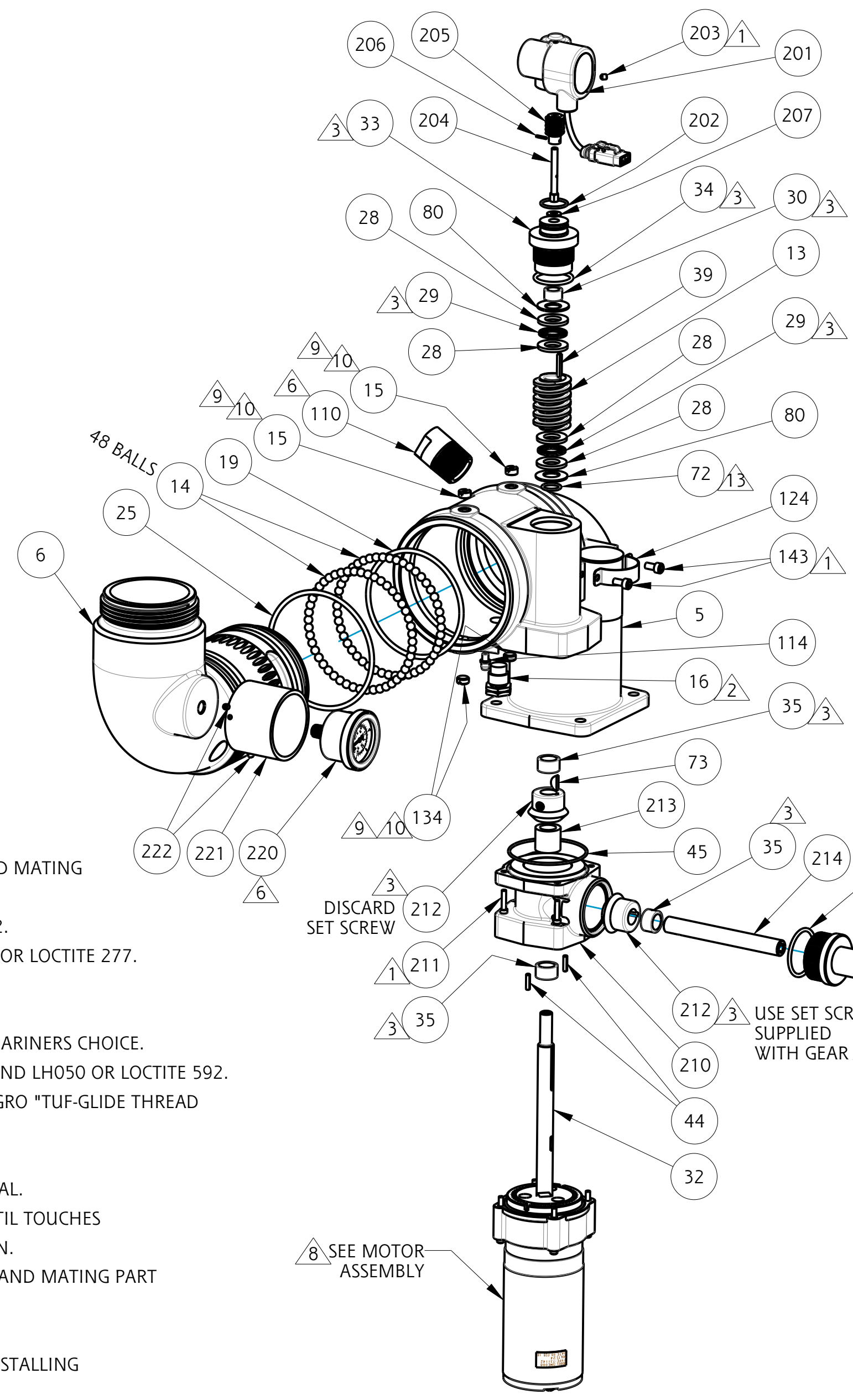
PHONE: 800.228.5678 or 800.228.5678 Fax: 330.264.2944 or 800.531.7335 | www.akronbrass.com

Parts List Sheet:

127020

WARRANTY AND DISCLAIMER*: We warrant Akron Brass products for a period of five (5) years* after purchase against defects in materials or workmanship. Akron Brass will repair or replace product which fails to satisfy this warranty. Repair or replacement shall be at the discretion of Akron Brass. Products must be promptly returned to Akron Brass for warranty service. We will not be responsible for: wear and tear; any improper installation, use, maintenance or storage; negligence of the owner or user; repair or modification after delivery; failure to follow our instructions or recommendations; or anything else beyond our control. WE MAKE NO WARRANTIES, EXPRESS OR IMPLIED, OTHER THAN THOSE INCLUDED IN THIS WARRANTY STATEMENT, AND WE DISCLAIM ANY IMPLIED WARRANTY OF MERCHANTABILITY OR FITNESS FOR ANY PARTICULAR PURPOSE. Further, we will not be responsible for any consequential, incidental or indirect damages (including, but not limited to, any loss of profits) from any cause whatsoever. No person has authority to change this warranty. *Unless otherwise provided herein. Akron Brass industrial electronic components & the Severe-Duty Monitor have a one (1) year warranty. Select Akron Brass handline nozzles and valves carry a ten (10) year warranty. Scene Star Lights carry a (6) year warranty. Weldon products have a two (2) year warranty from date of manufacture (excluding consumable components). Select Weldon LED products carry a five (5) year warranty. Honda products have the manufacturers' warranty and Akron Brass disclaims any warranty in respect of those products.

© 2016 Akron Brass Company. All rights reserved. No portion of this can be reproduced without the express written consent of the Akron Brass Company.



- ASSEMBLY NOTES:
 USE PARKER O-LUBE ON ALL O-RINGS AND MATING SURFACES UNLESS OTHERWISE NOTED.
- 1 USE PERMABOND LM113 OR LOCTITE 222.
 - 2 USE PRIMER T AND PERMABOND HH120 OR LOCTITE 277.
 - 3 USE LOW-TEMP LUBRIPLATE.
 - 4 DIMPLE AT ASSEMBLY.
 - 5 THOROUGHLY COAT WITH NEVER SEEZ MARINERS CHOICE.
 - 6 FOR THREADS UP TO $\varnothing 2"$: USE PERMABOND LH050 OR LOCTITE 592. FOR THREADS BIGGER THAN $\varnothing 2"$: USE AGRO "TUF-GLIDE THREAD SEALANT WITH PTFE".
 - 7 USE LOCTITE 290.
 - 8 GENERAL DEPICTION SEE BILL OF MATERIAL.
 - 9 ALIGN BALL IN HOLE. TIGHTEN PLUG UNTIL TOUCHES BALL. THEN BACK OUT PLUG 1/4-1/2 TURN.
 - 10 THOROUGHLY CLEAN THREADS OF PLUG AND MATING PART AND APPLY LOCTITE 425.
 - 11 USE SIKAFLEX-1A SEALANT AT ASSEMBLY.
 - 13 INSTALL IN HOUSING (ITEM 2) BEFORE INSTALLING MOTOR ASSEMBLY.
 - 14 TIGHTEN TO 7.5 IN-LBS MAX.

PHONE: 800.228.5678 or 800.228.0144 FAX: 330.264.2944 or 800.531.7335 | www.akronbrass.com

WARRANTY AND DISCLAIMER*: We warrant Akron Brass products for a period of five (5) years* after purchase against defects in materials or workmanship. Akron Brass will repair or replace product which fails to satisfy this warranty. Repair or replacement shall be at the discretion of Akron Brass. Products must be promptly returned to Akron Brass for warranty service. We will not be responsible for: wear and tear; any improper installation, use, maintenance or storage; negligence of the owner or user; repair or modification after delivery; failure to follow our instructions or recommendations; or anything else beyond our control. WE MAKE NO WARRANTIES, EXPRESS OR IMPLIED, OTHER THAN THOSE INCLUDED IN THIS WARRANTY STATEMENT, AND WE DISCLAIM ANY IMPLIED WARRANTY OF MERCHANTABILITY OR FITNESS FOR ANY PARTICULAR PURPOSE. Further, we will not be responsible for any consequential, incidental or indirect damages (including, but not limited to, any loss of profits) from any cause whatsoever. No person has authority to change this warranty. *Unless otherwise provided herein. Akron Brass industrial electronic components & the Severe-Duty Monitor have a one (1) year warranty. Select Akron Brass handline nozzles and valves carry a ten (10) year warranty. Scene Star Lights carry a (6) year warranty. Weldon products have a two (2) year warranty from date of manufacture (excluding consumable components). Select Weldon LED products carry a five (5) year warranty. Honda products have the manufacturers' warranty and Akron Brass disclaims any warranty in respect of those products.

© 2016 Akron Brass Company. All rights reserved. No portion of this can be reproduced without the express written consent of the Akron Brass Company.

Parts List Sheet:
 127020
 D43696



TECHNICAL SERVICE PARTS
 STYLE 3440
 PRODUCT DECKMASTER W/POSITION FEEDBACK

IF AN ITEM IS NOTED AS "NOT FIELD REPAIRABLE", OR YOU WISH TO RETURN AN ITEM TO AKRON BRASS FOR SERVICE PLEASE GO ONLINE TO, ONLINEREPAIR.AKRONBRASS.COM

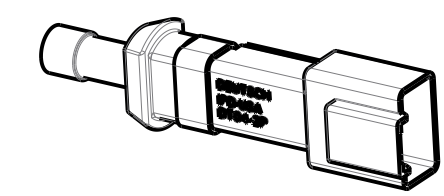
Chg.	Date
18	09-22
19	04-26

Find	Description	Item	QTY.
1	3" BASE	116459	1
2	ELBOW, INLET	126115	1
3	SLEEVE INNER	116491	1
4	ELBOW, LOWER MIDDLE	116461	1
5	ELBOW, UPPER MIDDLE	126116	1
6	ELBOW, OUTLET W/OUT GAGE PORT	127007	1
6	ELBOW, OUTLET W/GAGE PORT	126974	1
7	A BALL, 3/8" BALL BEARING	-	66
8	PLUG	742112	2
9	O-RING, 2-241	757210	1
10	O-RING, 2-238	757036	1
11	PLUG	744337	8
12	STOP	769498	2
13	GEAR, WORM	718273	2
14	B BALL, 1/4" BALL BEARING	-	218
15	B PLUG - WITH HOLE	742023	4
16	STOP, VERTICAL	769596	2
17	O-RING, 2-247	757078	1
18	O-RING 2-240	757017	1
19	O-RING, 2-236	757035	2
20	PIN	741064	4
21	RETAINER	756111	4
22	O-RING, 2-237	757081	2
23	SCREW, SOCKET HEAD CAP 3/8 -16 x 1-1/2"	765120	4
25	O-RING, 2-239	757222	1
28	WASHER, THRUST	784121	4
29	BEARING, NEEDLE	703453	2
30	BEARING	704393	1
32	SHAFT, ROTATION	769938	1
33	CAP, BEARING	119820	1
34	O-RING, 2-121	757329	1
35	BEARING, NEEDLE ROLLER	704395	7
36	SPRING, SPIRAWAVE	769592	1
38	GEARS PLANETARY	34400223	3
39	KEY, SPECIAL	727044	1
43	GEAR, INTERNAL ELEVATION	718337	3
44	PIN, ROLL	744288	6
45	O-RING, 2-036	757312	5
47	SCREW, SOCKET HEAD CAP 6-32 x 1-3/8"	767132	12
48	SCREW, SOCKET HEAD CAP W/PATCH 6-32 x 1/2"	765052	12
49	O-RING, 2-029	757056	3
50	HOUSING, GEARBOX	121539	3
51	PLATE, COVER	119821	1
52	MOTOR, 12V U2 DEUTSCH PLUG	34911110	3
52	MOTOR, 24V U2 DEUTSCH PLUG	34911111	3
57	GEAR, BOSTON WORM	784129	1
58	WASHER, THRUST	784130	4

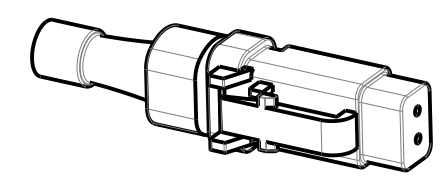
Find	Description	Item	QTY.
59	BEARING, ROLLER THRUST	703522	2
60	O-RING, 2-018	757042	1
61	KEY, SQUARE 3/16 x 3/4"LG	727046	1
62	SHAFT, VERTICAL	769937	1
63	CAP, BEARING	116493	1
64	O-RING, 2-131	757058	1
65	BEARING, NEEDLE	703523	1
71	SHAFT, OUTPUT	769939	1
72	O-RING, 2-014	757041	2
73	KEY, WOODRUFF	727025	5
74	SPROCKET	769499	2
75	SPACER	769495	1
76	O-RING, 2-112	757313	4
77	CHAIN	35780001	1
79	SHAFT, ROTATION	769525	1
80	SPRING, BELLEVILLE	769276	4
81	SHIM	769494	2
82	BUSHING, ROTATION	703461	1
83	SCREW, SOCKET HEAD CAP LOCWELL 10-24 x 5/8"LG	765100	2
84	SCREW, SOCKET HEAD CAP 10-24 x 1-5/8"	763035	1
86	SCREW, BUTTON HEAD #8-32 x 1/2"	765370	1
89	MAGNET, RARE EARTH	731081	2
95	MOUNTING CLIP, DEUTSCH	704589	1
98	TAG ID	773303	1
99	NAIL	736052	4
110	VALVE, DRAIN	34330009	1
114	FITTING, GREASE	713191	4
115	HANDLE, OVERRIDE	721291	1
116	CLAMP, CABLE	807139	2
118	CLIP, HAIRPIN COTTER	744339	1
120	HARNES, WIRING W/POS FEEDBACK U2	721731	1
121	SCREW, SOCKET HEAD CAP #10-24 x 2"	763077	2
122	CLAMP, CABLE	707507	1
124	CLAMP, STRAP	707396	1
132	SPRING, BELLEVILLE	769605	2
133	PLUG - WITH HOLE	742123	2
134	PLUG	744394	4
136	SCREW, SOCKET HEAD CAP NYLON PATCH #8-32 x 1/2"	765155	1
137	WASHER, BEARING	784114	2
138	WASHER, BEARING	784113	2
139	BEARING, THRUST ROLLER	704437	2
143	SCREW, SOCKET HEAD CAP #10-24 x 3/8"	765016	2
144	BEARING	704941	1

Find	Description	Item	QTY.
145	PLUG SWIVEL	742143	1
146	SENSOR SWING ARM	60430008	1
147	BRACKET	803255	1
148	SCREW SOCKET HEAD CAP #8-32 x 1/4"	761105	3
201	SENSOR ASSY/POTTED S/A W/PLUG U1	34630228	2
201	SENSOR ASSY/POTTED RECEPTACLE U2	34630404	1
202	O-RING, 2-018	757042	2
203	SCREW, SOCKET HEAD SET CUP POINT #8-32 x 3/16"	765042	4
204	SHAFT, POTTED HEX END	769641	2
205	GEAR, WORM	785021	2
206	PIN, ROLL	744341	2
207	WASHER, #10	784072	2
210	HOUSING, OVERRIDE	118598	2
211	SCREW, SOCKET HEAD CAP #6-32 x 5/8"	765179	8
212	GEAR, MITER	718185	4
213	COLLAR	707433	2
214	STUB, SHAFT	769744	2
215	O-RING, 2-126	757311	2
216	ADAPTER, GEARBOX	120026	2
217	PLATE, SPACER	120410	1
220	GAUGE PRESSURE 1.5 0-2.5 MPA 0-25 BAR (OPTIONAL)	718323	1
220	GAUGE PRESSURE 0-2500 KPA/0-350 PSI (OPTIONAL)	718322	1
221	GUARD GAUGE (OPTIONAL)	123197	1
222	SCREW SOCKET HEAD SET 8-32 X 3/16 (OPTIONAL)	765042	3
223	WASHER	784072	2

A	KIT OF 50 BALLS: 3/8" STAINLESS STEEL	123982
B	KIT OF 50 BALLS: 1/4" BRASS	109041



DEUTSCH CONNECTOR



DEUTSCH PLUG

PHONE: 800.288.5678 or 330.264.2944 or 800.531.7335 | www.akronbrass.com

WARRANTY AND DISCLAIMER*: We warrant Akron Brass products for a period of five (5) years* after purchase against defects in materials or workmanship. Akron Brass will repair or replace product which fails to satisfy this warranty. Repair or replacement shall be at the discretion of Akron Brass. Products must be promptly returned to Akron Brass for warranty service. We will not be responsible for: wear and tear; any improper installation, use, maintenance or storage; negligence of the owner or user; repair or modification after delivery; failure to follow our instructions or recommendations; or anything else beyond our control. WE MAKE NO WARRANTIES, EXPRESS OR IMPLIED, OTHER THAN THOSE INCLUDED IN THIS WARRANTY STATEMENT, AND WE DISCLAIM ANY IMPLIED WARRANTY OF MERCHANTABILITY OR FITNESS FOR ANY PARTICULAR PURPOSE. Further, we will not be responsible for any consequential, incidental or indirect damages (including, but not limited to, any loss of profits) from any cause whatsoever. No person has authority to change this warranty. *Unless otherwise provided herein. Akron Brass industrial electronic components & the Severe-Duty Monitor have a one (1) year warranty. Select Akron Brass handline nozzles and valves carry a ten (10) year warranty. Scene Star Lights carry a (6) year warranty. Weldon products have a two (2) year warranty from date of manufacture (excluding consumable components). Select Weldon LED products carry a five (5) year warranty. Honda products have the manufacturers' warranty and Akron Brass disclaims any warranty in respect of those products.

Parts List Sheet:

127020