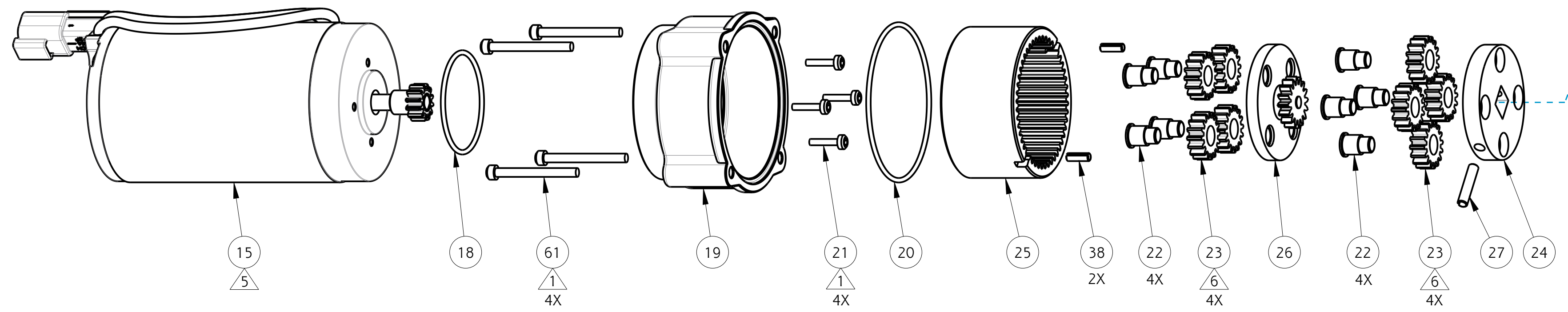
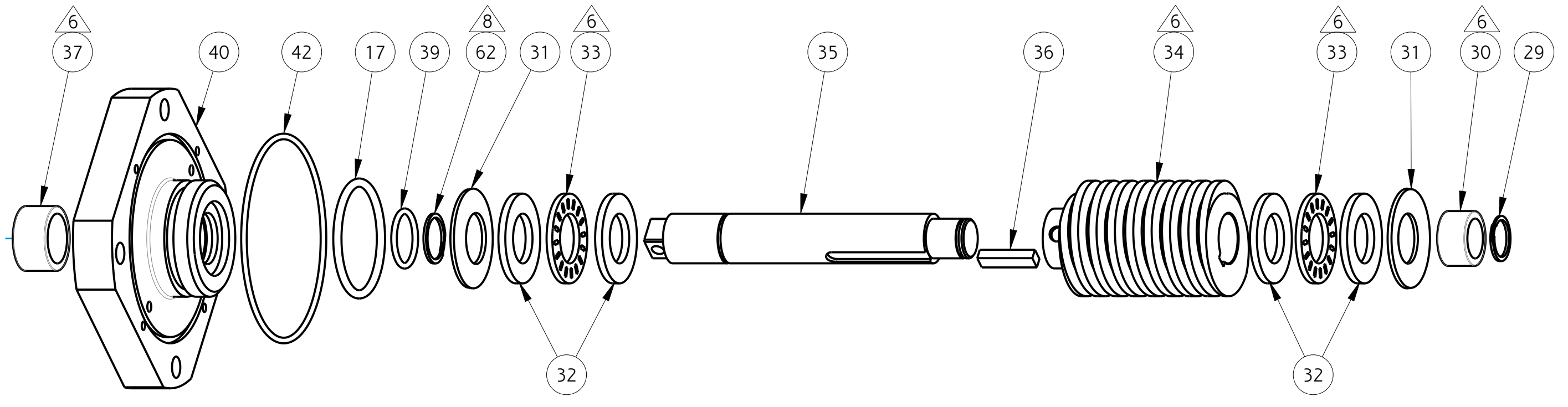


ASSEMBLY NOTES:

USE PARKER O-LUBE ON ALL O-RINGS AND MATING SURFACES UNLESS OTHERWISE NOTED.

- ① USE PERMABOND LM113 OR LOCTITE 222.
- ② USE PERMABOND HH120 OR LOCTITE 277.
- ③ USE PERMABOND LH050 OR LOCTITE 592.
- ④ USE LOCTITE 290.
- ⑤ GENERAL DEPICTION SEE BILL OF MATERIAL.
- ⑥ USE MOBILITH SCH 460 GREASE.
- ⑦ USE SIKAFLEX-1A SEALANT.

- ⑧ ASSEMBLE RETAINING RING (ITEM 62) WITH SHARP CORNERS AWAY FROM MOTOR ADAPTER (ITEM 40).
- ⑨ STAMP SERIAL NUMBER, VOLTAGE, AND 4 DIGIT STYLE NUMBER IN THE "STYLE" BOX.
- ⑩ CUT WIRES AND SEAL WITH SIKAFLEX-1A SEALANT. DRILL 3/16" HOLE THRU CENTER OF PLUG AND ATTACH. CONNECT NOZZLE HARNESS FOR SHIPMENT.
- ⑪ EXCEPT FOR WATERWAY PARTS AND STOP LOCATIONS, BOTH JOINTS ARE IDENTICAL.
- ⑫ STUDS ARE NOT EQUALLY SPACED.
- ⑬ CLEAN AND PRIMER BEFORE USING LOCTITE OR PERMABOND.

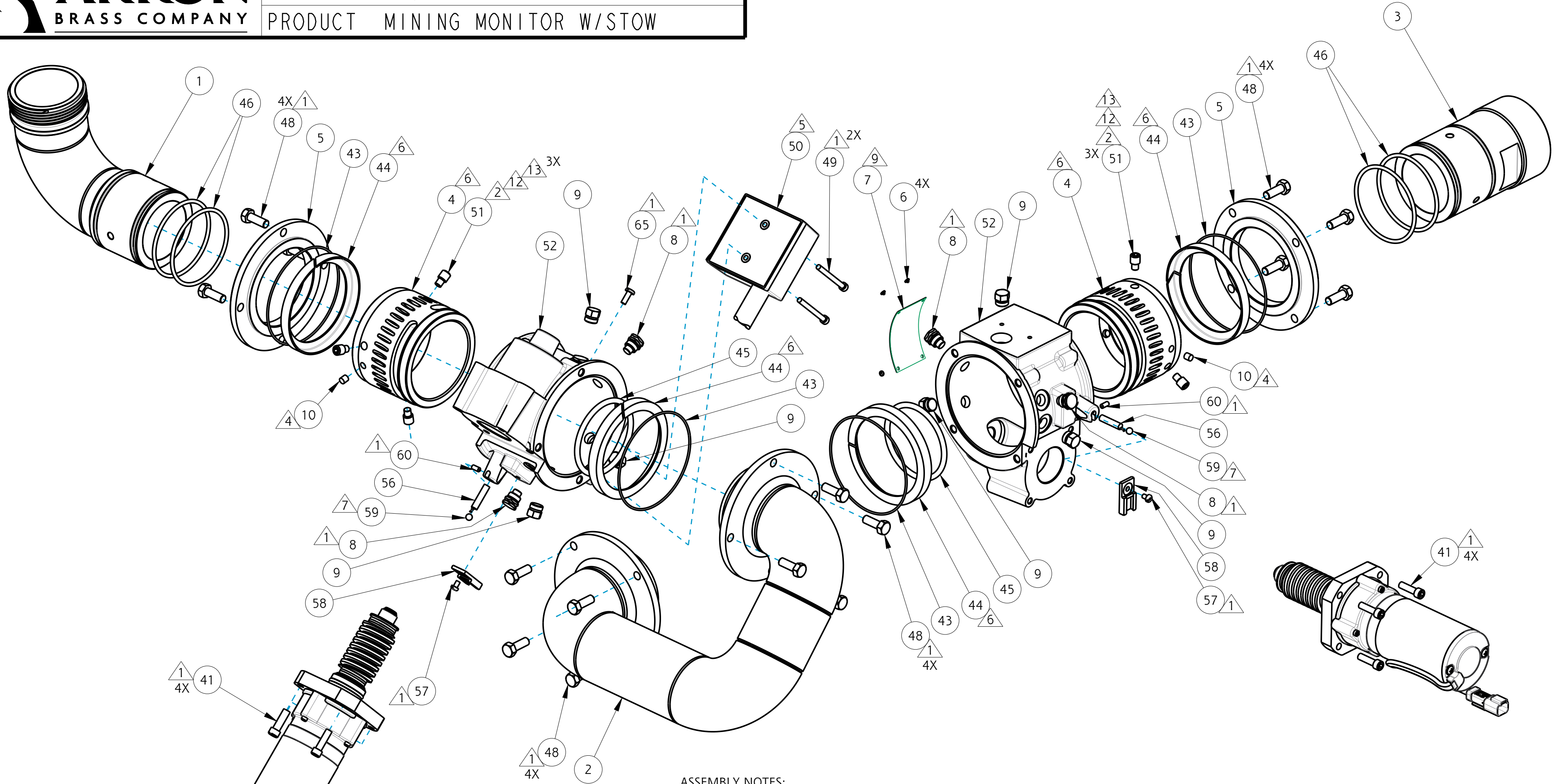


PHONE: 800.228.1161 | www.akronbrass.com

WARRANTY AND DISCLAIMER*: We warrant Akron Brass products for a period of five (5) years* after purchase against defects in materials or workmanship. Akron Brass will repair or replace product which fails to satisfy this warranty. Repair or replacement shall be at the discretion of Akron Brass. Products must be promptly returned to Akron Brass for warranty service. We will not be responsible for: wear and tear; any improper installation, use, maintenance or storage; negligence of the owner or user; repair or modification after delivery; failure to follow our instructions or recommendations; or anything else beyond our control. WE MAKE NO WARRANTIES, EXPRESS OR IMPLIED, OTHER THAN THOSE INCLUDED IN THIS WARRANTY STATEMENT, AND WE DISCLAIM ANY IMPLIED WARRANTY OF MERCHANTABILITY OR FITNESS FOR ANY PARTICULAR PURPOSE. Further, we will not be responsible for any consequential, incidental or indirect damages (including, but not limited to, any loss of profits) from any cause whatsoever. No person has authority to change this warranty. *Unless otherwise provided herein. Akron Brass industrial electronic components & the Severe-Duty Monitor have a one (1) year warranty. Select Akron Brass handline nozzles and valves carry a ten (10) year warranty. Scene Star Lights carry a (6) year warranty. Weldon products have a two (2) year warranty from date of manufacture (excluding consumable components). Select Weldon LED products carry a five (5) year warranty. Honda products have the manufacturers' warranty and Akron Brass disclaims any warranty in respect of those products.

© 2016 Akron Brass Company. All rights reserved. No portion of this can be reproduced without the express written consent of the Akron Brass Company.

Parts List Sheet:
 120915
 D42946



ASSEMBLY NOTES:

USE PARKER O-LUBE ON ALL O-RINGS AND MATING SURFACES UNLESS OTHERWISE NOTED.

- ① USE PERMABOND LM113 OR LOCTITE 222.
- ② USE PERMABOND HH120 OR LOCTITE 277.
- ③ USE PERMABOND LH050 OR LOCTITE 592.
- ④ USE LOCTITE 290.
- ⑤ GENERAL DEPICTION SEE BILL OF MATERIAL.
- ⑥ USE MOBILITH SCH 460 GREASE.
- ⑦ USE SIKAFLEX-IA SEALANT.

- ⑧ ASSEMBLE RETAINING RING (ITEM 62) WITH SHARP CORNERS AWAY FROM MOTOR ADAPTER (ITEM 40).
- ⑨ STAMP SERIAL NUMBER, VOLTAGE, AND 4 DIGIT STYLE NUMBER IN THE "STYLE" BOX.
- ⑩ CUT WIRES AND SEAL WITH SIKAFLEX-1A SEALANT. DRILL 3/16" HOLE THRU CENTER OF PLUG AND ATTACH. CONNECT NOZZLE HARNESS FOR SHIPMENT.
- ⑪ EXCEPT FOR WATERWAY PARTS AND STOP LOCATIONS, BOTH JOINTS ARE IDENTICAL.
- ⑫ STUDS ARE NOT EQUALLY SPACED.
- ⑬ CLEAN AND PRIMER BEFORE USING LOCTITE OR PERMABOND.

PHONE: 800.228.1161 | www.akronbrass.com

WARRANTY AND DISCLAIMER*: We warrant Akron Brass products for a period of five (5) years* after purchase against defects in materials or workmanship. Akron Brass will repair or replace product which fails to satisfy this warranty. Repair or replacement shall be at the discretion of Akron Brass. Products must be promptly returned to Akron Brass for warranty service. We will not be responsible for: wear and tear; any improper installation, use, maintenance or storage; negligence of the owner or user; repair or modification after delivery; failure to follow our instructions or recommendations; or anything else beyond our control. WE MAKE NO WARRANTIES, EXPRESS OR IMPLIED, OTHER THAN THOSE INCLUDED IN THIS WARRANTY STATEMENT, AND WE DISCLAIM ANY IMPLIED WARRANTY OF MERCHANTABILITY OR FITNESS FOR ANY PARTICULAR PURPOSE. Further, we will not be responsible for any consequential, incidental or indirect damages (including, but not limited to, any loss of profits) from any cause whatsoever. No person has authority to change this warranty. *Unless otherwise provided herein. Akron Brass industrial electronic components & the Severe-Duty Monitor have a one (1) year warranty. Select Akron Brass handline nozzles and valves carry a ten (10) year warranty. Scene Star Lights carry a (6) year warranty. Weldon products have a two (2) year warranty from date of manufacture (excluding consumable components). Select Weldon LED products carry a five (5) year warranty. Honda products have the manufacturers' warranty and Akron Brass disclaims any warranty in respect of those products.

© 2016 Akron Brass Company. All rights reserved. No portion of this can be reproduced without the express written consent of the Akron Brass Company.

Parts List Sheet:
 120915
 D42946



TECHNICAL SERVICE PARTS
 STYLE 3490, 3491
 PRODUCT MINING MONITOR W/STOW

IF AN ITEM IS NOTED AS "NOT FIELD REPAIRABLE", OR YOU WISH TO RETURN AN ITEM TO AKRON BRASS FOR SERVICE PLEASE GO ONLINE TO, **ONLINEREPAIR.AKRONBRASS.COM**

Chg.	Date
19	03-19
20	01-26

Find	Description	Item	QTY
1	OUTLET ELBOW 2.50" NH	710132	1
2	GOOSENECK	718254	1
3	INLET 2.50" NPT	723037	1
4	WORM GEAR	718229	2
5	JOINT CAP	119719	2
6	NAIL	736052	4
7	ID PLATE - 3490	745155	1
7	ID PLATE - 3491	745293	1
8	STOP	769498	4
9	PLUG	744337	6
10	MAGNET	731081	2
15	MOTOR WITH GEAR AND DEUTSCH CONNECTOR, 12V (NO PAINT)	34911100	2
15	MOTOR WITH GEAR AND DEUTSCH CONNECTOR, 24V (NO PAINT)	34911101	2
15	MOTOR WITH GEAR AND CANNON CONNECTOR, 12V (NO PAINT)	34911102	2
15	MOTOR WITH GEAR AND CANNON CONNECTOR, 24V (NO PAINT)	34911103	2
17	O-RING 2-124	757440	2
18	O-RING 2-029	757056	2
19	GEARBOX HOUSING	109320	2
20	O-RING 2-036	757312	2
21	SOCKET HEAD CAP SCREW W/PATCH #6-32 x 1/2"	765052	8
22	SHORT RIVET	754052	12
23	PLANET GEAR	718341	12
24	OUTPUT CARRIER	707455	2
25	INTERNAL GEAR	718337	2
26	CARRIER PLATE WITH GEAR	718346	2
27	PIN ROLL 5/32 x 3/4	744118	2
29	RETAINING RING	758192	2
30	NEEDLE ROLLER BEARING	704395	2
31	BELLEVILLE SPRING	768354	4
32	THRUST WASHER	784152	8
33	THRUST BEARING	704774	4
34	WORM	784154	2
35	SHAFT	769728	2
36	KEY	727051	2
37	ROLLER BEARING	704773	2
38	SPRING PIN 1/8 x 3/8	745152	4
39	O-RING 2-016	757055	2
40	GEAR MOTOR ADAPTER	119720	2
41	SOCKET HEAD CAP SCREW 1/4-20 x 7/8"	767157	8
42	O-RING 2-037	757063	2
43	O-RING 2-045	757427	4

Find	Description	Item	QTY
44	POLYETHYLENE BEARING	704781	4
45	O-RING 2-336	757074	2
46	O-RING 2-234	757029	4
48	HEX HEAD CAP SCREW 5/16-18 x 7/8"	763028	16
49	SOCKET HEAD CAP SCREW #10-24 x 2"	763077	2
50	WIRING HARNESS U1	721479	1
50	WIRING HARNESS U2	721623	1
51	STUD	769727	6
52	JOINT	119721	2
56	HAMLIN SWITCH	34400003	2
57	PHILLIPS PAN HEAD SCREW #8-32 x 1/4"	765208	2
58	DEUTSCH MOUNTING CLIP	704589	2
59	RUBBER BALL 1/4"	703544	2
60	SOCKET HEAD CUP POINT SET SCREW #8-32 x 3/8"	765074	2
61	SOCKET HEAD CAP SCREW #6-32 x 1-3/8"	767132	8
62	RETAINER RING	758037	2
65	NYLON PAN HEAD SCREW #10-24 x 1/2"	767147	1
71	2.50" NPT x 6" NIPPLE	735076	1
72	3" FLANGE WITH 2.50" NPT	712285	1
73	MOTOR/GEARBOX S/A 24V, DEUTSCH CONNECTOR, BLACK PAINT	34911008	2
73	MOTOR/GEARBOX S/A 12V, DEUTSCH CONNECTOR, BLACK PAINT	34911014	2
73	MOTOR/GEARBOX S/A 24V, CANNON CONNECTOR, RED PAINT	34900201	2
73	MOTOR/GEARBOX S/A 12V, CANNON CONNECTOR, RED PAINT	34900202	2
73	MOTOR/GEARBOX S/A 24V, CANNON CONNECTOR, BLACK PAINT	34910201	2
73	MOTOR/GEARBOX S/A 12V, CANNON CONNECTOR, BLACK PAINT	34910202	2

COMPLETE ASSEMBLIES

	MONITOR SD S/A 3"FLANGE A 2.5NH, 24V, SS, BLACK, SPC	34911002	
	MONITOR SD S/A 3"FLANGE A 2.5NH, 12V, SS, BLACK, SPC	34911017	

SUB ASSEMBLY & ACCESSORIES

	LOGIC BOX WITH CONNECTORS, 12/24V FF, MINING MONITOR	34911000	
	PC BOARD 12/24V WITH LINIT TRAVEL EA REPAIR	34630034	
	20'6M WIRING HARNESS WITH IP67 DEUTSCH PLUGS	707526	
	33'10M WIRING HARNESS WITH IP67 DEUTSCH PLUGS	707527	
	40'12M WIRING HARNESS WITH IP67 DEUTSCH PLUGS	707528	
	RAMPAGE ELECTRIC NOZZLE , SD, 2.5NH, 12V, 500-1000GPM	44620004	
	RAMPAGE ELECTRIC NOZZLE , SD, 2.5NH, 24V, 500-1000GPM	44620003	
	AKROFOAM NOZZLE 2.5NH, 24V, IP67 DEUTSCH PLUG, NOOZLE BOOT, 350-1000GPM	44710006	
	JOYSTICK FOR MINING MONITOR	34911001	

PHONE: 800.228.1161 | www.akronbrass.com

Parts List Sheet:

120915

WARRANTY AND DISCLAIMER*: We warrant Akron Brass products for a period of five (5) years* after purchase against defects in materials or workmanship. Akron Brass will repair or replace product which fails to satisfy this warranty. Repair or replacement shall be at the discretion of Akron Brass. Products must be promptly returned to Akron Brass for warranty service. We will not be responsible for: wear and tear; any improper installation, use, maintenance or storage; negligence of the owner or user; repair or modification after delivery; failure to follow our instructions or recommendations; or anything else beyond our control. WE MAKE NO WARRANTIES, EXPRESS OR IMPLIED, OTHER THAN THOSE INCLUDED IN THIS WARRANTY STATEMENT, AND WE DISCLAIM ANY IMPLIED WARRANTY OF MERCHANTABILITY OR FITNESS FOR ANY PARTICULAR PURPOSE. Further, we will not be responsible for any consequential, incidental or indirect damages (including, but not limited to, any loss of profits) from any cause whatsoever. No person has authority to change this warranty. *Unless otherwise provided herein. Akron Brass industrial electronic components & the Severe-Duty Monitor have a one (1) year warranty. Select Akron Brass handline nozzles and valves carry a ten (10) year warranty. Scene Star Lights carry a (6) year warranty. Weldon products have a two (2) year warranty from date of manufacture (excluding consumable components). Select Weldon LED products carry a five (5) year warranty. Honda products have the manufacturers' warranty and Akron Brass disclaims any warranty in respect of those products.