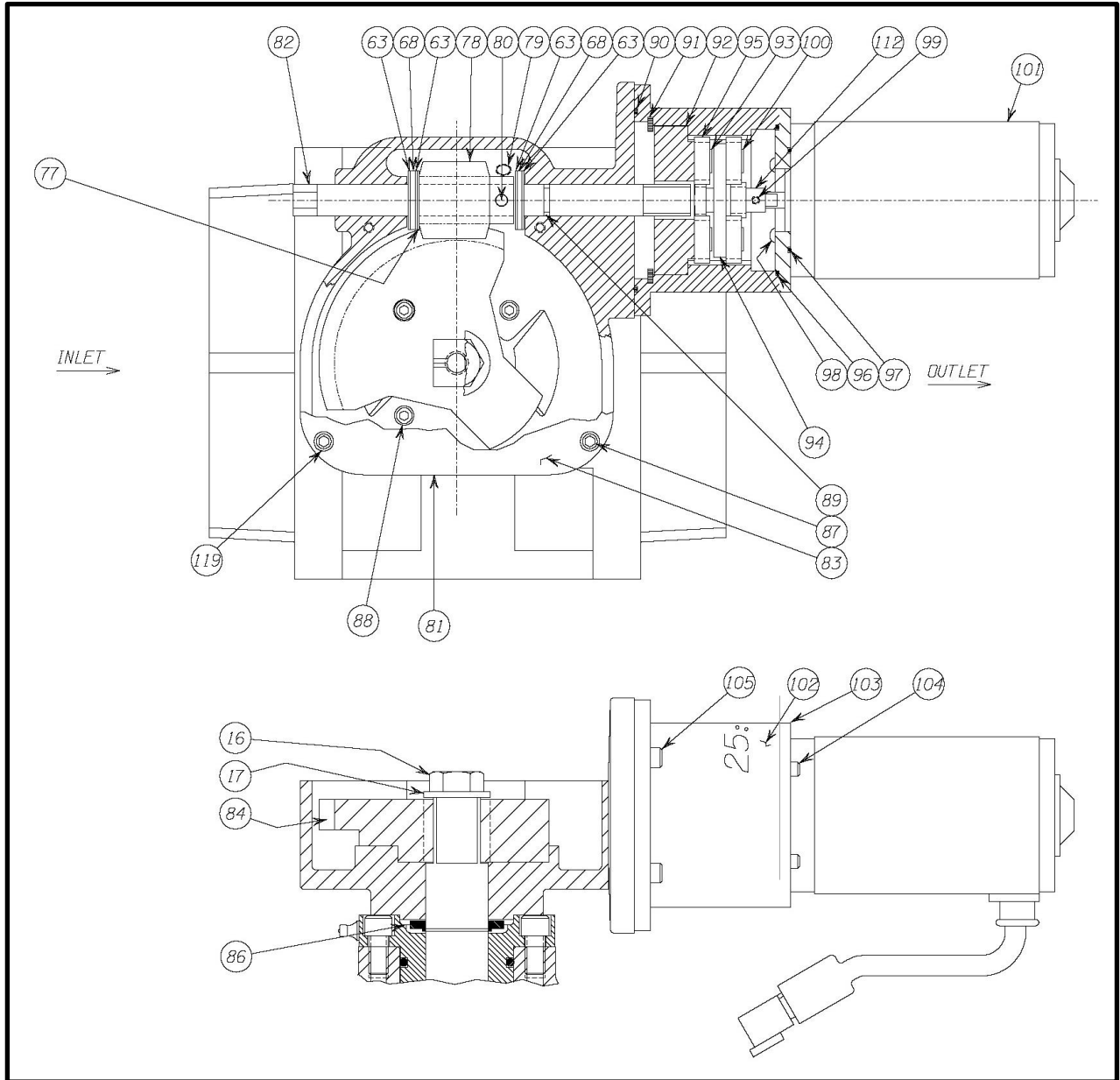


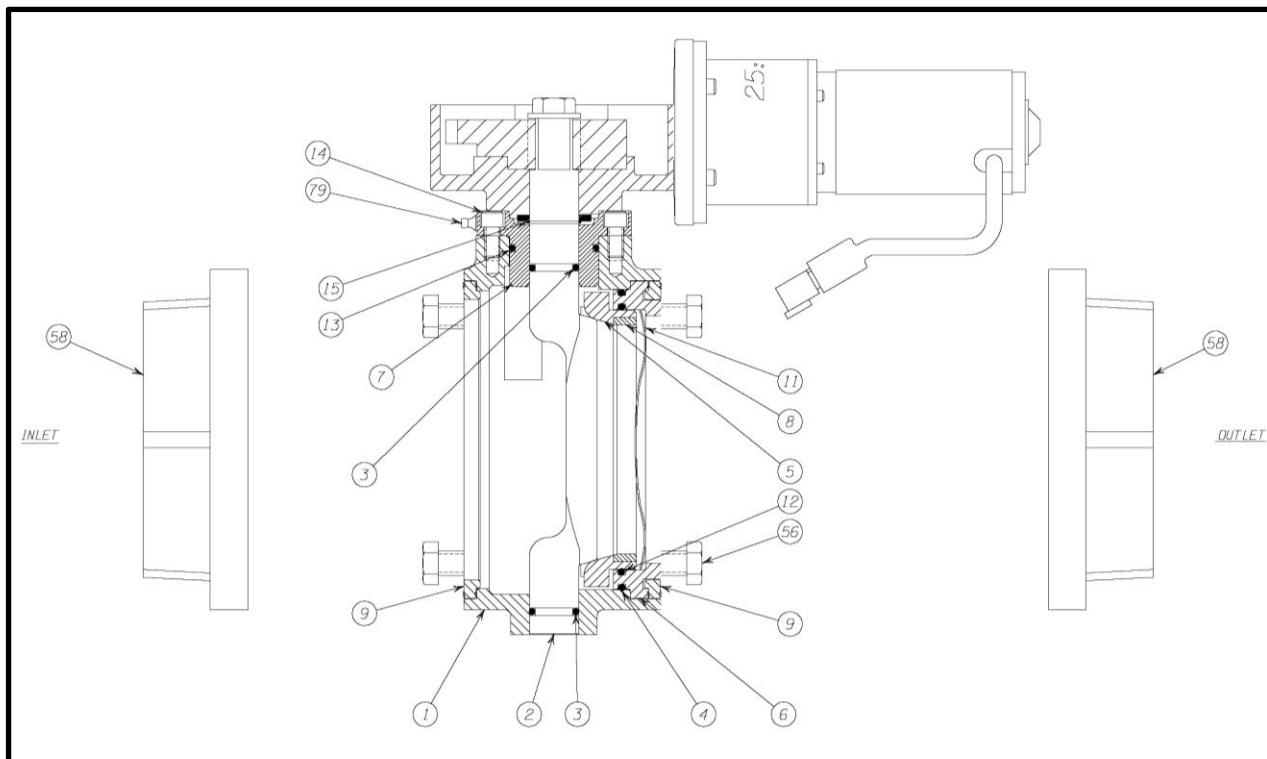
**AKRON BRASS SWING-OUT™ VALVE  
4" VALVE WITH ELECTRIC ACTUATOR  
STYLE 8840, PARTS LIST**



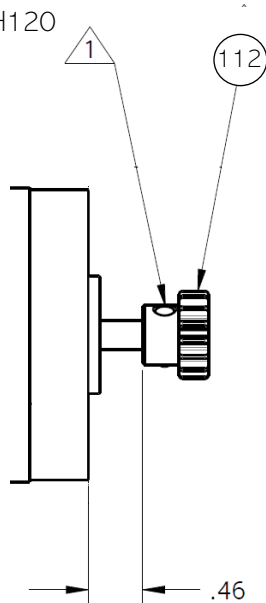
PHONE: 800.228.1161  
www.akronbrass.com



# AKRON BRASS SWING-OUT™ VALVE 4" VALVE WITH ELECTRIC ACTUATOR, STYLE 8840, PARTS LIST



USE LOCTITE 277 OR PERMABOND HH120  
ON SET SCREW



NOTE: SET GAP BETWEEN MOTOR AND GEAR TO 0.46"

PHONE: 800.228.1161  
www.akronbrass.com



## AKRON BRASS SWING-OUT™ VALVE 4" VALVE WITH ELECTRIC ACTUATOR, STYLE 8840, PARTS LIST

| ITEM NO. | DESCRIPTION                  | PART NUMBER | QUANTITY |
|----------|------------------------------|-------------|----------|
| 1        | Valve Body                   | 118153      | 1        |
| 2        | Flat Ball                    | 118154      | 1        |
| 3        | O-Ring, 2-210                | 757226      | 2        |
| 4        | O-Ring, 2-255                | 757338      | 1        |
| 5        | Seat                         | 769797      | 1        |
| 6        | Seat Retainer                | 118156      | 1        |
| 7        | Trunnion Bushing             | 118157      | 1        |
| 8        | Seat Ring                    | 118158      | 1        |
| 9        | Flange Seal                  | 768309      | 2        |
| 11       | Wave Spring                  | 784138      | 1        |
| 12       | O-Ring, 2-252                | 757371      | 1        |
| 13       | O-Ring, 2-222                | 757006      | 1        |
| 14       | Screw, 5/16"-18 x 5/8"       | 767016      | 4        |
| 15       | Retaining Ring               | 758185      | 1        |
| 16       | Screw, 1/2"-13 x 3/4"        | 761065      | 1        |
| 17       | Washer                       | 784068      | 1        |
| 56       | Screw, 1/2"-13 x 1/2"        | 765140      | 8        |
| 58       | Valve Adapter                | ***         | 2        |
| 63       | Thrust Washer                | 784111      | 4        |
| 68       | Needle Bearing               | 703453      | 2        |
| 77       | Thrust Washer                | 784103      | 1        |
| 78       | Worm Gear                    | 784190      | 1        |
| 79       | Grease Fitting               | 713034      | 2        |
| 80       | Roll Pin                     | 744068      | 1        |
| 81       | Gear Housing                 | 721717      | 1        |
| 82       | Drive Shaft                  | 769510      | 1        |
| 83       | Cover                        | 743003      | 1        |
| 84       | Gear Sector                  | 121330      | 1        |
| 86       | Thrust Washer                | 784104      | 1        |
| 87       | Screw, #8-32 x 1/2"          | 765155      | 4        |
| 88       | Screw, #10-24 x 3/4"         | 767086      | 4        |
| 89       | O-Ring, 2-011                | 757254      | 1        |
| 90       | O-Ring, 2-039 **             | 757263      | 1        |
| 91       | Retaining Ring **            | 758172      | 1        |
| 92       | Output Carrier Plate *       | 742118      | 1        |
| 93       | Long Rivet *                 | 754051      | 3        |
| 94       | Carrier Plate *              | 718346      | 1        |
| 95       | Gear *                       | 718341      | 6        |
| 96       | O-Ring, 2-035 **             | 757280      | 1        |
| 97       | O-Ring, 2-029 **             | 757056      | 1        |
| 98       | Screw, #6-32 x 1/2" **       | 763066      | 4        |
| 99       | Set screw *                  | 765082      | 1        |
| 100      | Short Rivet *                | 754052      | 3        |
| 101      | Motor-12 Volt                | 86252509    | 1        |
| 102      | Housing                      | 118161      | 1        |
| 103      | Face Plate                   | 745100      | 1        |
| 104      | Screw, #6-32 x 1/2"          | 765052      | 4        |
| 105      | Screw, #10-24 x 1/2"         | 763038      | 4        |
| 112      | Motor sun gear *             | 718344      | 1        |
| 119      | Washer                       | 784123      | 4        |
| -        | Gear Replacement Kit **      | 86252503    | -        |
| -        | Gear Replacement Kit w/ accs | 86252504    | -        |

**NOTE:**

- \* Parts included in kit.
- \*\* Parts included in kit w/ accessories.
- \*\*\* See Catalog for available adapters.

PHONE: 800.228.1161

www.akronbrass.com