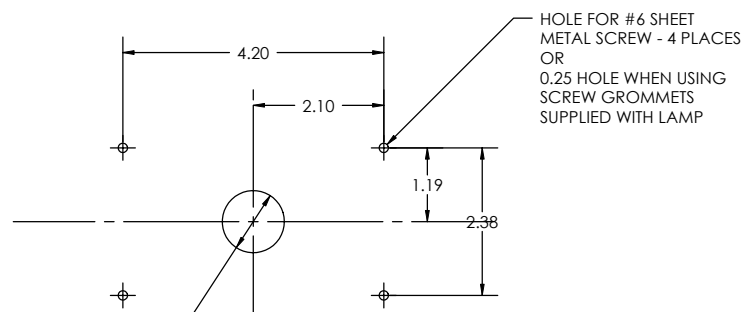
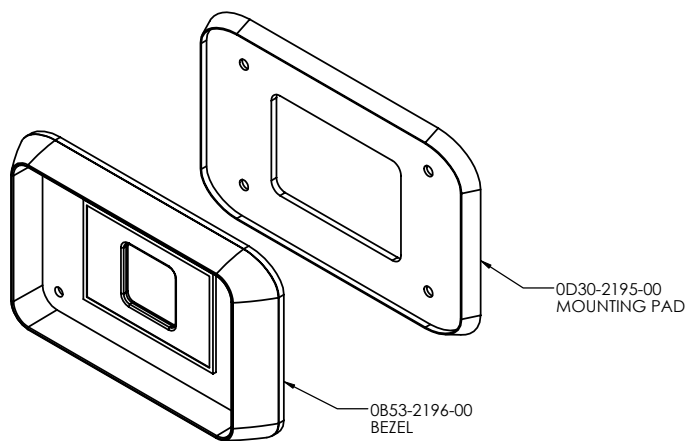
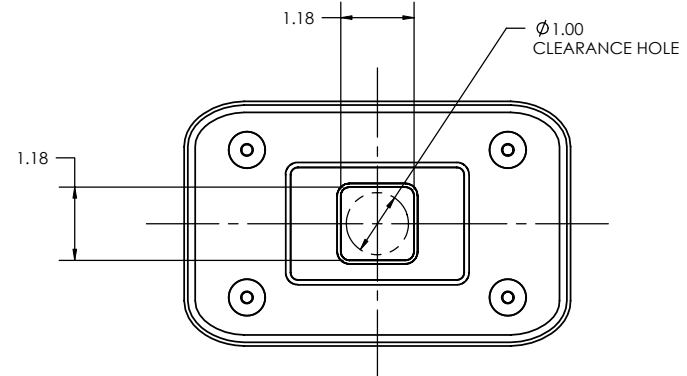
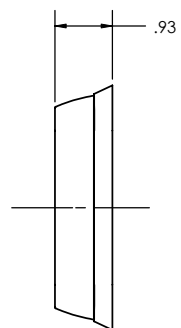
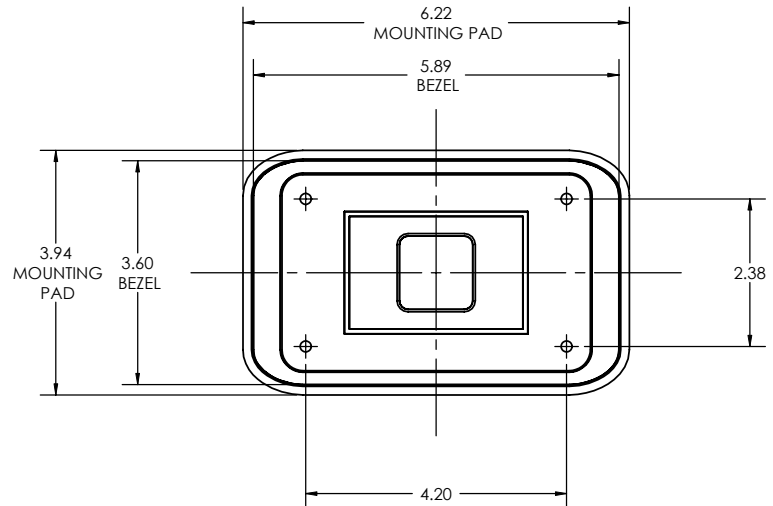


THIS DRAWING AND ALL INFORMATION CONTAINED HEREIN IS THE PROPERTY OF WELDON TECHNOLOGIES, INC. AND MAY NOT BE COPIED, REPRODUCED, OR DEVULGED TO UNAUTHORIZED PERSONS WITHOUT THE EXPRESS WRITTEN CONSENT OF WELDON TECHNOLOGIES, INC. AS IT IS BEING PROVIDED SOLELY FOR THE CONVENIENCE OF THE USER AND SHALL BE RETURNED TO WELDON TECHNOLOGIES, INC. UPON REQUEST.

REVISIONS				
REV.	ECN	DESCRIPTION	DATE	BY / APVD
A	R0772	RELEASE FOR PRODUCTION	--	TB



RECOMMENDED PANEL CUT-OUT

UNLESS OTHERWISE SPECIFIED DIMENSIONS ARE IN INCHES TOLERANCES ARE: X.XXX - ±0.005 X.XX - ±0.020 X.X - ±0.050 ANGLES - ±0.5°	CAD GENERATED DRAWING. DO NOT MANUALLY UPDATE		WELDON TECHNOLOGIES, INC.	
	APPROVALS	DATE	DIAMONDBACK V34 BEZEL KIT CUSTOMER DRAWING	
DRAWN BARNETT	9/19/08			
CHECKED				
QUAL ENG				
MATERIAL				
FINISH				
DO NOT SCALE DRAWING	PROJ. NO. 00164	SIZE B	PART NO. COB80-2334-00	REV. A
		SCALE: 1:2	WELDON COMPUTER GRAPHICS SHEET 1 OF 1	