

OPERATING INSTRUCTIONS:

1. TURN THE LOCKING CAM ROUND SIDE OUT.
2. POSITION THE UNIT AT A 45° ANGLE TO THE BUMPER OF THE NOZZLE WITH THE TWO EARS ON THE FOAM TUBE BASE UNDER THE LIP AND BETWEEN THE LUGS OF THE BUMPER.
3. PUSH THE BASE OVER THE BUMPER OF THE NOZZLE.
4. ROTATE THE LOCKING CAM INTO THE FULLY LOCKED POSITION.

WARNING: FULLY ENGAGE LOCKING CAM BEFORE OPERATING.

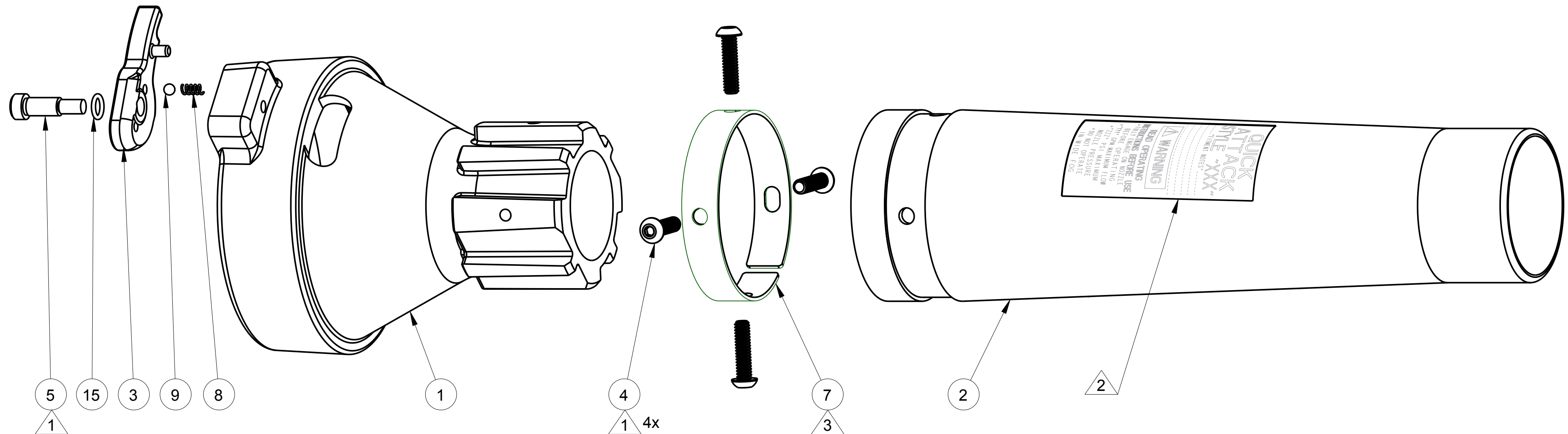
- \* 125 GPM MAXIMUM FLOW
- \* 100 PSI MAXIMUM NOZZLE PRESSURE
- \* DO NOT OPERATE IN WIDE FOG

ASSEMBLY NOTES:

USE PARKER O-LUBE ON ALL O-RINGS AND MATING SURFACES UNLESS OTHERWISE NOTED.

- 1 USE PERMABOND LM113 OR LOCTITE 222.
- 2 "WARNING" ON TUBE IS TO BE CENTERED WITH THE BOSS ON THE HOUSING.
- 3 ORIENT SPLIT ON ITEM 7 ON OPPOSITE SIDE AS THE "WARNING" ON THE TUBE.

Find	Description	Item	QTY 0791	QTY 0792	QTY 0793	QTY 0794	QTY 0796	QTY 0797
1	HOUSING FOAM TUBE 1.5"	123852	1	-	-	-	-	-
1	HOUSING FOAM TUBE 1.5"	123850	-	1	-	-	-	-
1	HOUSING FOAM TUBE 1.5"	119952	-	-	1	-	-	-
1	HOUSING FOAM TUBE 1.5"	123847	-	-	-	1	-	-
1	HOUSING FOAM TUBE 1.5"	123853	-	-	-	-	1	-
1	HOUSING FOAM TUBE 1.5"	123851	-	-	-	-	-	1
2	TUBE FOAM 1.5"	125011	1	-	-	-	-	-
2	TUBE FOAM 1.5"	125007	-	1	-	-	-	-
2	TUBE FOAM 1.5"	125006	-	-	1	-	-	-
2	TUBE FOAM 1.5"	125008	-	-	-	1	-	-
2	TUBE FOAM 1.5"	125009	-	-	-	-	1	-
2	TUBE FOAM 1.5"	125010	-	-	-	-	-	1
3	CAM FOAM TUBE LOCKING 1.5"	101868	1	1	1	1	1	1
4	SCREW SOCKET HEAD BUTTON 1/4-20 x 1"	765182	4	4	4	4	4	4
5	SCREW HEX SOCKET SHOULDER 1/4-20 x 7/16	767127	1	1	1	1	1	1
7	CLAMP RING	754066	1	1	1	1	1	1
8	SPRING	768023	1	1	1	1	1	1
9	BALL BRASS 3/16"	703050	1	1	1	1	1	1
15	O-RING 2-011	757254	1	1	1	1	1	1



PHONE: 330.264.5678 or 800.228.1161 | FAX: 330.264.2944 or 800.531.7335 | www.akronbrass.com

Parts List Sheet:

126190

WARRANTY AND DISCLAIMER\*: We warrant Akron Brass products for a period of five (5) years\* after purchase against defects in materials or workmanship. Akron Brass will repair or replace product which fails to satisfy this warranty. Repair or replacement shall be at the discretion of Akron Brass. Products must be promptly returned to Akron Brass for warranty service. We will not be responsible for: wear and tear; any improper installation, use, maintenance or storage; negligence of the owner or user; repair or modification after delivery; failure to follow our instructions or recommendations; or anything else beyond our control. WE MAKE NO WARRANTIES, EXPRESS OR IMPLIED, OTHER THAN THOSE INCLUDED IN THIS WARRANTY STATEMENT, AND WE DISCLAIM ANY IMPLIED WARRANTY OF MERCHANTABILITY OR FITNESS FOR ANY PARTICULAR PURPOSE. Further, we will not be responsible for any consequential, incidental or indirect damages (including, but not limited to, any loss of profits) from any cause whatsoever. No person has authority to change this warranty. \*Unless otherwise provided herein. Akron Brass industrial electronic components & the Severe-Duty Monitor have a one (1) year warranty. Select Akron Brass handline nozzles and valves carry a ten (10) year warranty. Scene Star Lights carry a (6) year warranty. Weldon products have a two (2) year warranty from date of manufacture (excluding consumable components). Select Weldon LED products carry a five (5) year warranty. Honda products have the manufacturers' warranty and Akron Brass disclaims any warranty in respect of those products.