



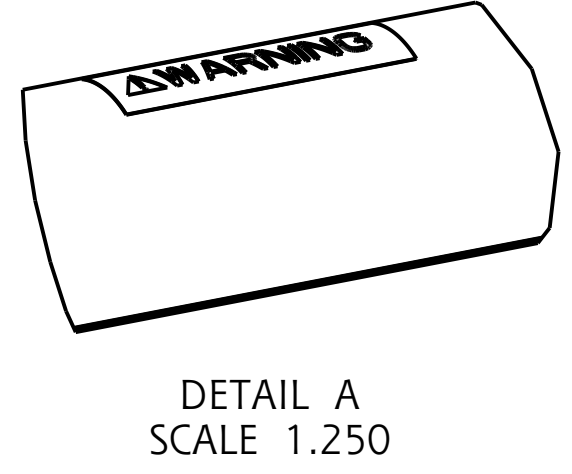
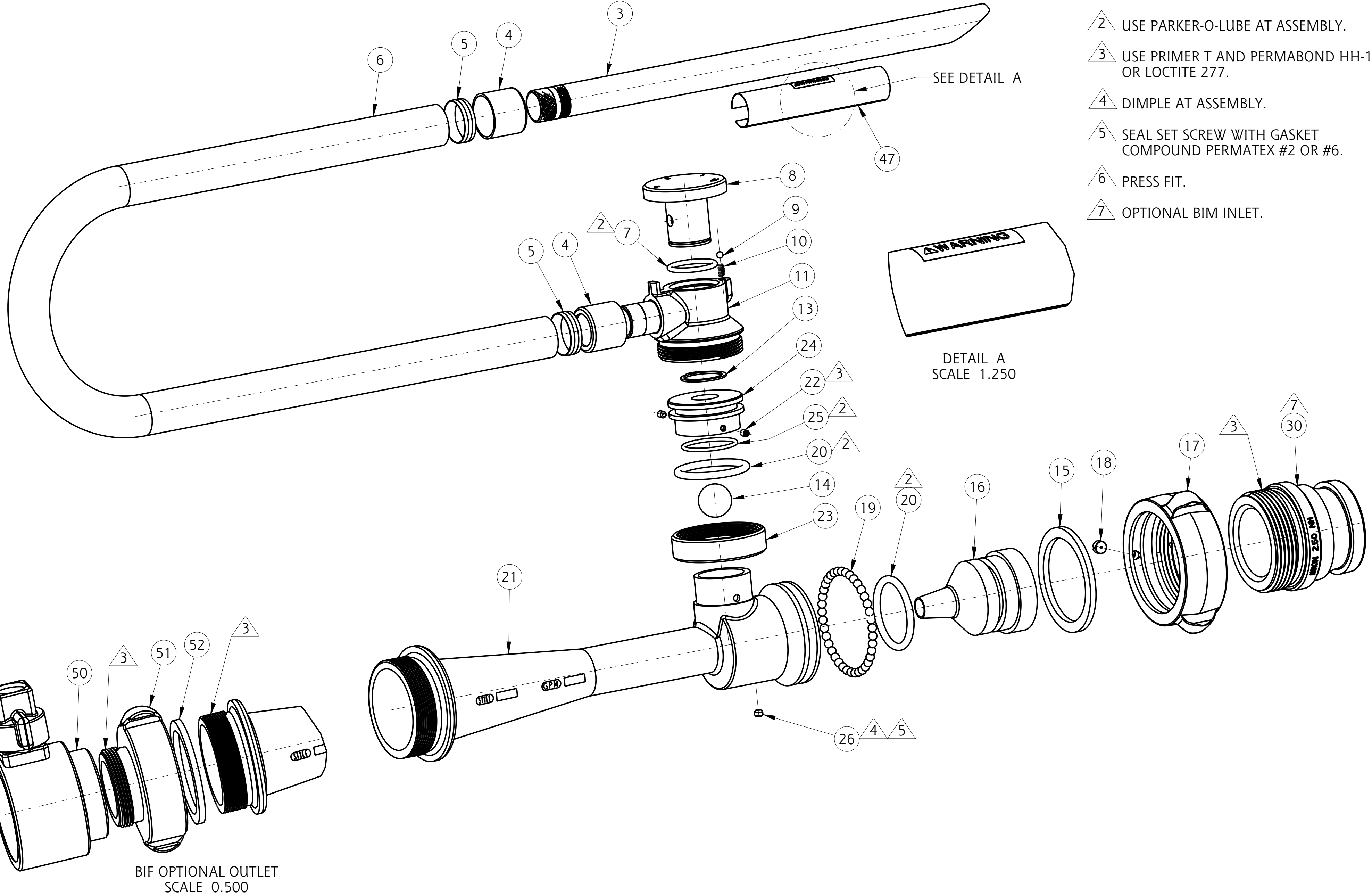
TECHNICAL SERVICE PARTS
 STYLE 2120
 PRODUCT 2.5" EDUCATOR

IF AN ITEM IS NOTED AS "NOT FIELD REPAIRABLE", OR YOU WISH TO RETURN AN ITEM TO AKRON BRASS FOR SERVICE PLEASE GO ONLINE TO, ONLINEREPAIR.AKRONBRASS.COM

Chg.	Date
12	11-16
13	02-19

ASSEMBLY NOTES:

- 1 USE LOCTITE 222 OR 113 PERMABOND.
- 2 USE PARKER-O-LUBE AT ASSEMBLY.
- 3 USE PRIMER T AND PERMABOND HH-120 OR LOCTITE 277.
- 4 DIMPLE AT ASSEMBLY.
- 5 SEAL SET SCREW WITH GASKET COMPOUND PERMATEX #2 OR #6.
- 6 PRESS FIT.
- 7 OPTIONAL BIM INLET.



BIF OPTIONAL OUTLET
 SCALE 0.500

PHONE: 330.264.5678 or 800.228.1161 | FAX: 330.264.2944 or 800.531.7335 | www.akronbrass.com

Parts List Sheet:

103884

WARRANTY AND DISCLAIMER*: We warrant Akron Brass products for a period of five (5) years* after purchase against defects in materials or workmanship. Akron Brass will repair or replace product which fails to satisfy this warranty. Repair or replacement shall be at the discretion of Akron Brass. Products must be promptly returned to Akron Brass for warranty service. We will not be responsible for: wear and tear; any improper installation, use, maintenance or storage; negligence of the owner or user; repair or modification after delivery; failure to follow our instructions or recommendations; or anything else beyond our control. WE MAKE NO WARRANTIES, EXPRESS OR IMPLIED, OTHER THAN THOSE INCLUDED IN THIS WARRANTY STATEMENT, AND WE DISCLAIM ANY IMPLIED WARRANTY OF MERCHANTABILITY OR FITNESS FOR ANY PARTICULAR PURPOSE. Further, we will not be responsible for any consequential, incidental or indirect damages (including, but not limited to, any loss of profits) from any cause whatsoever. No person has authority to change this warranty. *Unless otherwise provided herein. Akron Brass industrial electronic components & the Severe-Duty Monitor have a one (1) year warranty. Select Akron Brass handline nozzles and valves carry a ten (10) year warranty. Scene Star Lights carry a (6) year warranty. Weldon products have a two (2) year warranty from date of manufacture (excluding consumable components). Select Weldon LED products carry a five (5) year warranty. Honda products have the manufacturers' warranty and Akron Brass disclaims any warranty in respect of those products.
 © 2016 Akron Brass Company. All rights reserved. No portion of this can be reproduced without the express written consent of the Akron Brass Company.



TECHNICAL SERVICE PARTS

STYLE 2120

PRODUCT 2.5" EDUCTOR

IF AN ITEM IS NOTED AS "NOT FIELD REPAIRABLE", OR YOU WISH TO RETURN AN ITEM TO AKRON BRASS FOR SERVICE PLEASE GO ONLINE TO, **ONLINEREPAIR.AKRONBRASS.COM**

Chg.	Date
12	11-16
13	02-19

Find		Description	Item	QTY
3	**	TUBE PICKUP	103899	1
4	**	TUBE SHRINK	772206	5
5	**	CLAMP TUBE	707980	2
6	**	HOSE PICKUP 1"ID x 1.25"OD x 120"LG	103894	1
7	**	O-RING 2-218	757011	1
8	**	DIAL METERING	103896	1
9	**	BALL BRASS 3/16"	703050	1
10	**	SPRING	768023	1
11	**	HEAD METERING	103900	1
13		RING EXTERNAL RETAINER 1-1/4"	758350	1
14		BALL NYLON 1"OD	704010	1
15		GASKET	717043	1
16		TUBE JET	104922	1
17	***	SWIVEL 2.50"NH - CAST	101325	1
17	***	SWIVEL 2.50"NH - CHROME	117847	1
18		PLUG SWIVEL	742023	1
19	*	BALL BRASS 1/4"OD	703017	39
20		O-RING 2-328	757014	2
21		BODY EDUCTOR 2.50"NH - CAST	103886	1
21		BODY EDUCTOR 2.50"NH - CHROME	103904	1
22		SCREW ALLEN HEAD CUP POINT SET #10-24 x 1/4"	765025	2
23		COLLAR SWIVEL - CAST	104920	1
23		COLLAR SWIVEL - CHROME	103901	1
24	**	RETAINER BALL - CAST	106153	1
24	**	RETAINER BALL - CHROME	103902	1
25		O-RING 2-128	757185	1
26		SCREW ALLEN HEAD CUP POINT SET 1/4-20 x 3/16"	765008	1
30		ADAPTER 2.50"NH M x 2.50" BIM	03260003	1
47		BAND WARNING	704541	1
50		ADAPTER 2.50"BIF x 2.00"BSPF	702184	1
51		ADAPTER 2.50"NH F x 2.00"BSP M	121854	1
52		GASKET	717043	1

- * KIT OF 50 BALLS:109041
- ** ITEMS ARE NOT FIELD REPLACABLE. SEND UNIT TO FACTORY FOR SERVICE.
- *** ONLY NH THREAD SHOWN. FOR OTHER THREADS CONTACT AKRON BRASS CUSTOMER SERVICE.

PHONE: 330.264.5678 or 800.228.1161 | FAX: 330.264.2944 or 800.531.7335 | www.akronbrass.com

Parts List Sheet:

103884

WARRANTY AND DISCLAIMER*: We warrant Akron Brass products for a period of five (5) years* after purchase against defects in materials or workmanship. Akron Brass will repair or replace product which fails to satisfy this warranty. Repair or replacement shall be at the discretion of Akron Brass. Products must be promptly returned to Akron Brass for warranty service. We will not be responsible for: wear and tear; any improper installation, use, maintenance or storage; negligence of the owner or user; repair or modification after delivery; failure to follow our instructions or recommendations; or anything else beyond our control. **WE MAKE NO WARRANTIES, EXPRESS OR IMPLIED, OTHER THAN THOSE INCLUDED IN THIS WARRANTY STATEMENT, AND WE DISCLAIM ANY IMPLIED WARRANTY OF MERCHANTABILITY OR FITNESS FOR ANY PARTICULAR PURPOSE.** Further, we will not be responsible for any consequential, incidental or indirect damages (including, but not limited to, any loss of profits) from any cause whatsoever. No person has authority to change this warranty. *Unless otherwise provided herein. Akron Brass industrial electronic components & the Severe-Duty Monitor have a one (1) year warranty. Select Akron Brass handline nozzles and valves carry a ten (10) year warranty. Scene Star Lights carry a (6) year warranty. Weldon products have a two (2) year warranty from date of manufacture (excluding consumable components). Select Weldon LED products carry a five (5) year warranty. Honda products have the manufacturers' warranty and Akron Brass disclaims any warranty in respect of those products.

© 2016 Akron Brass Company. All rights reserved. No portion of this can be reproduced without the express written consent of the Akron Brass Company.

D19365