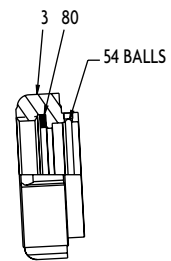
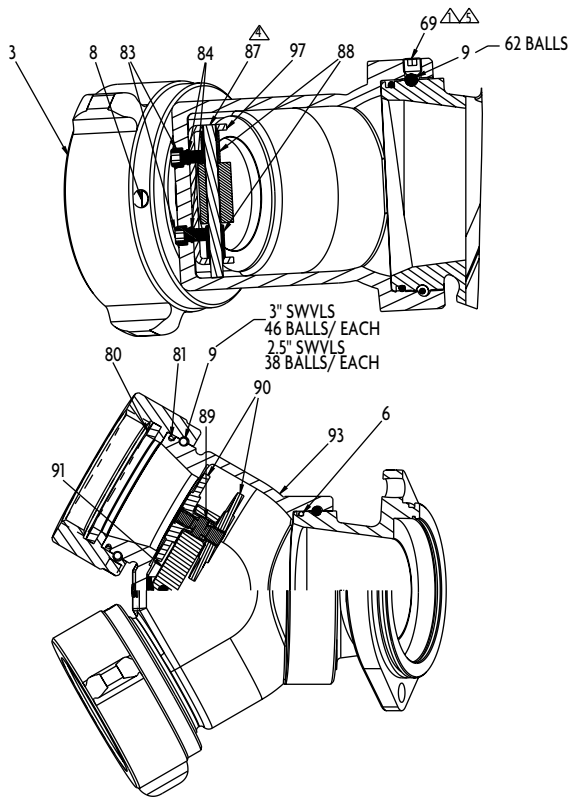
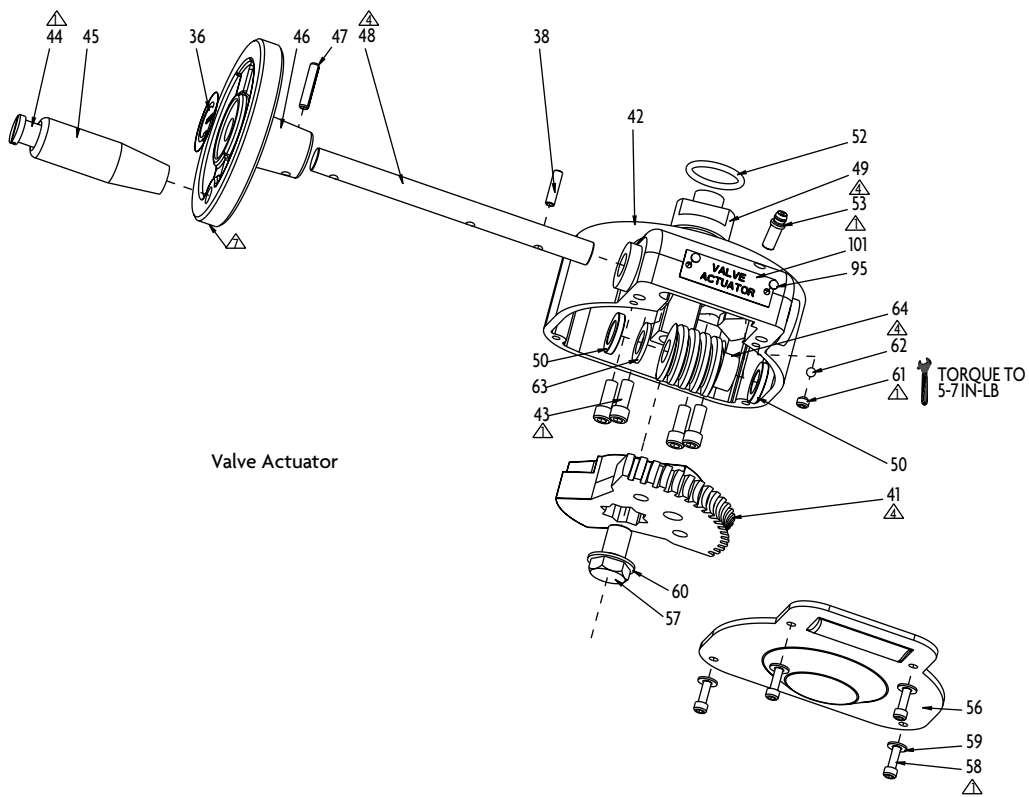
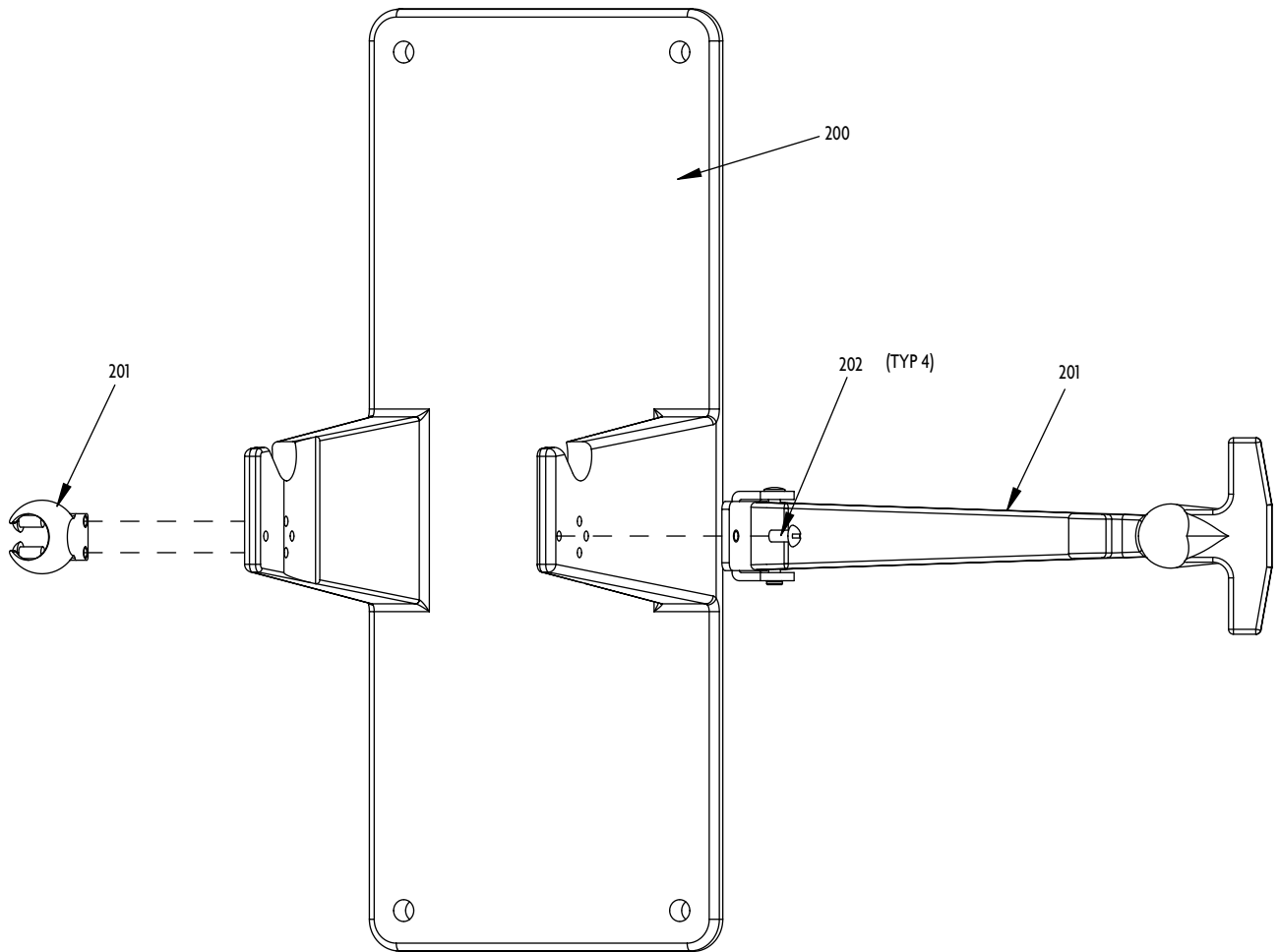


- NOTES:
- △ USE PARKER O-LUBE ON ALL O-RINGS EXCEPT WHERE OTHERWISE NOTED
  - △ USE PERMABOND LM113 OR LOCTITE 222 AT ASSEMBLY
  - △ USE PERMABOND HH120 OR LOCTITE 277 AT ASSEMBLY
  - DO NOT USE PARKER O-LUBE
  - △ USE LOW-TEMP LUBRILATE
  - △ DIMPLE AT ASSEMBLY
  - △ USE PERMALOK LH050 OR EQUIVALENT
  - △ HANDWHEEL ROTATES COUNTER CLOCKWISE TO OPEN AND CLOCKWISE TO CLOSE







**STYLE 3446  
MERCURYMASTER MONITOR**

ITEM NO.	DESCRIPTION	PART NUMBER	QUANTITY
001	GAUGE PRESSURE	718132	1
003	SWVL 2.5" NH	118873	2
003	SWVL 3" NH	120327	2
003	SWVL 4" NH	120325	1
003	SWVL 4.5" NH	120324	1
003	SWVL 5" NH	120326	1
004	SPIKE GROUND	94430001	1
005	SCREW	765247	2
006	4.5 - 5" O-RING	757078	1
006	2.5 - 4" O-RING	757337	1
007	WASHER BELLEVILLE	784143	2
008	PLUG SWVL	742023	1
009	BALL SS	703051	62
010	O-RING	757332	1
011	OUTLET	120301	1
012	BALL OUTLET	120297	1
013	BODY	120303	1
014	SPRING	769670	1
015	SPRING LATCH	769694	1
016	SPRING WEDGE	769693	1
017	PIN ROLL	744088	1
018	PIN ROLL	744430	1
020	HOUSING HANDLE	118877	1
021	END CLEVIS	118878	1
022	HOLDER SPRING	118879	1
023	GUIDE SPRING	118884	1
024	SHAFT	768370	1
025	WEDGE LATCH	784144	1
026	PLATE LATCH	745138	3
027	LEG RIGHT	120298	1
028	LEG LEFT	120299	1
029	TRUNNION	772226	3
030	O-RING	757367	2
031	SEAT VLV †	769768	1
032	O-RING †	757439	1
034	RING RET	756121	1
035	O-RING †	757078	1
036	TAG OPEN	773185	1
037	BALL †	703428	1
038	PIN ROLL	744068	1
039	(2) 2.5-4" ADPT INLET	120300	1
039	4.5-5" ADPT INLET	120335	1
040	SCREW	765209	2
041	GEAR SECTOR	117972	1
042	HOUSING GEAR	120302	1
043	SCREW	765029	4
044	PIN HANDLE	741044	1
045	BUSHING	101692	1
046	HANDWHEEL	109281	1
047	PIN ROLL	744084	1
048	SHAFT HANDWHEEL	768374	1
049	TRUNNION ACTUATOR	120296	1
050	SPACER GEAR	768375	2
051	5" STORZ FITTING	713206	1
051	4" STORZ FITTING	713205	1
052	O-RING +	757010	1
053	FIT. GREASE	713034	1
054	O-RING +	757217	1
055	TRUNNION	772224	1
056	PLATE COVER	743003	1
057	SCREW	761065	1

058	SCREW	765155	4
059	WASHER	784123	4
060	WASHER	784068	1
061	SCREW	765008	1
062	BALL	704031	1
063	WASHER	784103	1
064	WORM GEAR	106611	1
071	TRUNNION	772225	1
072	SPACER	769765	1
073	CAP ROTATIONAL	120295	1
074	SPACER METAL	120293	1
075	O-RING	757112	1
076	PIN FRICTION	744436	1
077	SPRING	768373	1
080	2.5" GASKET	717043	2
080	5" GASKET	714026	1
080	4" GASKET	714024	1
080	4.5" GASKET	714025	1
080	3" GASKET	714022	2
081	O-RING 3"	757081	2
081	O-RING 2.5"	757045	2
083	SCREW	766043	2
084	O-RING	757084	2
085	WASHER	784145	2
086	BAND ID	703650	1
087	PIN CLAPPER	120450	1
088	SPACER 3"	769769	2
088	SPACER 2.5"	120345	2
089	SCREW	761097	1
090	DISC VLV	120318	2
091	ARM CLAPPER	120320	1
093	SIAMESE 2.5"	120322	1
093	SIAMESE 3"	120321	1
094	PLATE ID	745166	1
095	NAIL GRIP	736052	6
097	BRACKET CLAPPER	101957	1
098	SCREW	761082	1
099	WASHER	784093	1
101	TAG VLV	773375	1
104	STRAP	34430039	1
108	SCREW	765002	1
110	BEARING	704235	1
111	OUTLET W/SHAPER	120294	1
112	GASKET FOR ADAPTER	**	1
113	SET SCREW	7650002	1
114	SPECIAL THREAD ADAPTER	**	1
115	BRACKET	122636	1
116	UHMW BEARING	703929	1
117	TRUNNION	772259	1
200	MOUNTING BRACKET	120378	1
201	BRACKET LATCH ASSY.	729407	1
202	SCREW	761041	1

\*PACKET OF 50 BALL BEARINGS P/N 123074

\*\* CONTACT CUSTOMER SERVICE

† Included in field service kit #91310001



**Tested.. Proven.. Trusted.**

ISO 9001 REGISTERED COMPANY

PHONE: 330.264.5678 or 800.228.1161 | FAX: 330.264.2944 or 800.531.7335 | akronbrass.com

REVISED: 6/12

WARRANTY AND DISCLAIMER: We warrant Akron Brass products for a period of five (5) years after purchase against defects in materials or workmanship. Akron Brass will repair or replace product which fails to satisfy this warranty. Repair or replacement shall be at the discretion of Akron Brass. Products must be promptly returned to Akron Brass for warranty service.

We will not be responsible for: wear and tear; any improper installation, use, maintenance or storage; negligence of the owner or user; repair or modification after delivery; damage; failure to follow our instructions or recommendations; or anything else beyond our control. WE MAKE NO WARRANTIES, EXPRESS OR IMPLIED, OTHER THAN THOSE INCLUDED IN THIS WARRANTY STATEMENT, AND WE DISCLAIM ANY IMPLIED WARRANTY OF MERCHANTABILITY OR FITNESS FOR ANY PARTICULAR PURPOSE. Further, we will not be responsible for any consequential, incidental or indirect damages (including, but not limited to, any loss of profits) from any cause whatsoever. No person has authority to change this warranty.

© Akron Brass Company, 2012 All rights reserved. No portion of this can be reproduced without the express written consent of Akron Brass Company.