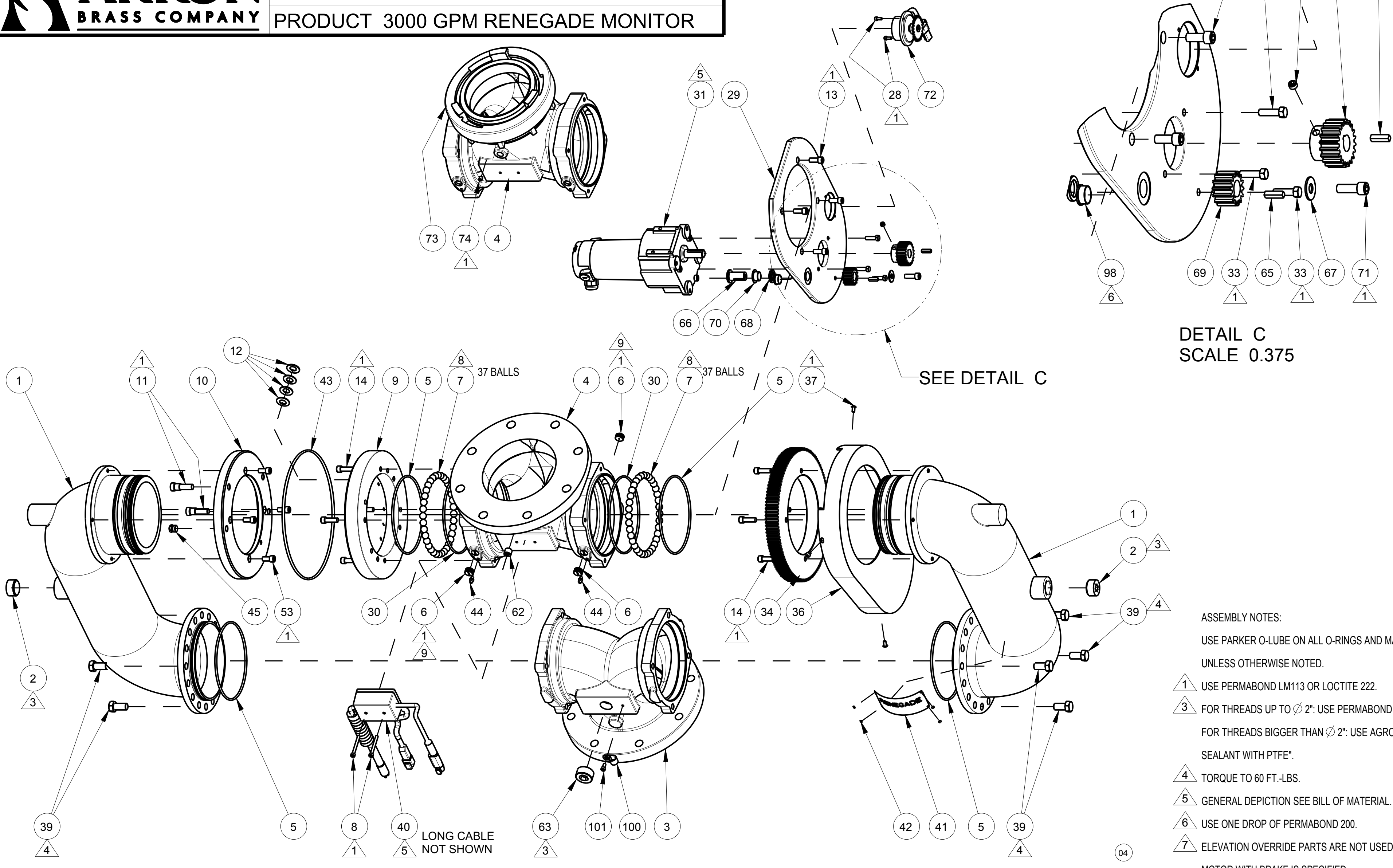




TECHNICAL SERVICE PARTS  
 STYLE 3580  
 PRODUCT 3000 GPM RENEGADE MONITOR

Chg.	Date
04	07-13
05	10-14



DETAIL C  
 SCALE 0.375

- ASSEMBLY NOTES:
- USE PARKER O-LUBE ON ALL O-RINGS AND MATING SURFACES UNLESS OTHERWISE NOTED.
  - ▲1 USE PERMABOND LM113 OR LOCTITE 222.
  - ▲3 FOR THREADS UP TO  $\varnothing$  2": USE PERMABOND LH050 OR LOCTITE 592. FOR THREADS BIGGER THAN  $\varnothing$  2": USE AGRO "TUF-GLIDE THREAD SEALANT WITH PTFE".
  - ▲4 TORQUE TO 60 FT.-LBS.
  - ▲5 GENERAL DEPICTION SEE BILL OF MATERIAL.
  - ▲6 USE ONE DROP OF PERMABOND 200.
  - ▲7 ELEVATION OVERRIDE PARTS ARE NOT USED WHEN ELEVATION MOTOR WITH BRAKE IS SPECIFIED.
  - ▲8 USE LOW-TEMP LUBRIPLATE.
  - ▲9 ALIGN BALL IN HOLE. TIGHTEN PLUG UNTIL TOUCHES BALL. THEN BACK OUT PLUG 1/4-1/2 TURN.
  - ▲10 STAMP "12V" OR "24V" AFTER GPM.
  - ▲11 USE KEY PROVIDED WITH MOTOR.

PHONE: 330.264.5678 or 800.228.1161 | FAX: 330.264.2944 or 800.531.7335 | www.akronbrass.com

Parts List Sheet:

121039

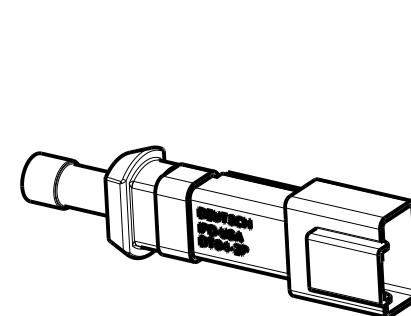
WARRANTY AND DISCLAIMER\*: We warrant Akron Brass products for a period of five (5) years\* after purchase against defects in materials or workmanship. Akron Brass will repair or replace product which fails to satisfy this warranty. Repair or replacement shall be at the discretion of Akron Brass. Products must be promptly returned to Akron Brass for warranty service. We will not be responsible for: wear and tear; any improper installation, use, maintenance or storage; negligence of the owner or user; repair or modification after delivery; failure to follow our instructions or recommendations; or anything else beyond our control. WE MAKE NO WARRANTIES, EXPRESS OR IMPLIED, OTHER THAN THOSE INCLUDED IN THIS WARRANTY STATEMENT, AND WE DISCLAIM ANY IMPLIED WARRANTY OF MERCHANTABILITY OR FITNESS FOR ANY PARTICULAR PURPOSE. Further, we will not be responsible for any consequential, incidental or indirect damages (including, but not limited to, any loss of profits) from any cause whatsoever. No person has authority to change this warranty. \*Unless otherwise provided herein. Akron Brass industrial electronic components & the Severe-Duty Monitor have a one (1) year warranty. Select Akron Brass handline nozzles and valves carry a ten (10) year warranty. Weldon products have a two (2) year warranty from date of manufacture (excluding consumable components). Select Weldon LED products carry a five (5) year warranty. Honda products have the manufacturers' warranty and Akron Brass disclaims any warranty in respect of those products.

©Premier Farnell Corporation. 2012 All rights reserved. No portion of this can be reproduced without the express written consent of Premier Farnell Corporation

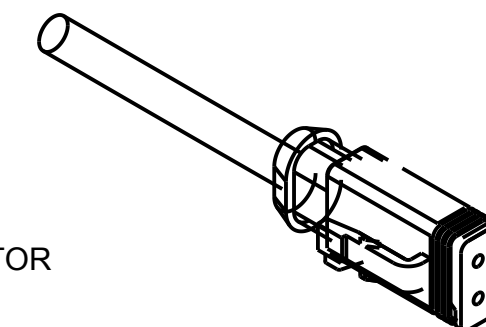
Find	Description	Item	QTY
1	ELBOW MAIN	119194	2
2	PLUG PIPE SQUARE SOCKET 1"NPT	744286	2
3	FLANGE FIXED	121035	1
4	OUTLET 6" FLANGE	119196	1
4	OUTLET 6" BSP THREAD	119266	1
5	O-RING 2-256	757250	4
6	PLUG SWIVEL	742090	4
7	BALL BRASS 1/2"	703383*	74
8	SCREW SOCKET HEAD CAP #10-24 x 1-3/4"	767126	2
9	PLATE STOP	119200	1
10	PLATE STOP ADJUSTABLE	119204	1
11	STOP (90° UNIT)	770294	4
11	STOP (45° OR 22.5° UNIT)	770294	2
12	SPRING BELLEVILLE	769276	4
13	SCREW SOCKET HEAD CAP 5/16-18 x 3/4"	763042	4
14	SCREW SOCKET HEAD CAP 5/16-18 x 1"	766036	8
28	SCREW SOCKET HEAD #8-32 x 3/8"	765064	2
29	BRACKET ELEVATION GEARMOTOR	119201	1
30	O-RING 2-255	757338	2
31	MOTOR S/A 12 VOLT -DEUTSCH PLUG -ELEVATION -BRAKE	35800051	1
31	MOTOR S/A 24 VOLT -DEUTSCH PLUG -ELEVATION -BRAKE	35800052	1
32	GEAR ELEVEVATION	718214	1
33	SCREW HEX HEAD CAP 1/4-20 x 7/8"GR8	761063	3
34	GEAR ELEVATION	119205	1
36	COVER ELEVEVATION GEARMOTOR	707449	1
37	SCREW BUTTON HEAD CAP #10-24 x 3/8	765143	4
39	SCREW HEX HEAD CAP 1/2-13 x 1"	761045	8
40	HARNESS WIRING 8' RENEGADE 3580	721482	1
41	PLATE IDENTIFICATION	742146	1
42	NAIL GRIP	736052	4
43	O-RING 2-272	757394	1
44	FITTING GREASE 3/16 PRESSFIT	713191	2
45	PLUG 1/2-20 x 1/2"	744337	1
48	SCREW SOCKET HEAD CUP POINT SET 5/16-18 x 1/4"	765071	1
53	SCREW SOCKET HEAD CAP 5/16-18 x 5/8"	767016	4
55	SCREW SOCKET HEAD CUP POINT SET 1/4-20 x 1/4"	765002	2

Find	Description	Item	QTY	
62	PLUG SOCKET HEAD PIPE	744011	1	
63	PLUG SOCKET HEAD PIPE	744018	1	
65	KEY 3/16 x 3/16 x 3/4"	727046	1	
△	66	OVERRIDE SHAFT	769695	1
△	67	WASHER .875 OD x 3.64 ID x.06W	784109	1
△	68	WASHER THRUST	784149	1
△	69	GEAR OVERRIDE	718218	1
△	70	BEARING NYLINER	704736	1
△	71	SCREW SOCKET HEAD CAP W/NYLON PATCH 5/16-18 x7/8"	767121	1
72	POTENTIOMETER ELEVATION FEEDBACK	35800002	1	
73	FITTING 150 mm X 6" BSP	116897	1	
74	SCREW SOCKET SET NYLOCK 1/4-20 x 5/16"	766015	1	
98	PLUG-PUSH IN-11/16" DIA	742244	1	
100	CABLE CLAMP	707188	1	
101	SOCKET HEAD CAP SCREW 10-24 X 3/8	767029	1	

\* KIT OF 50 BALLS :116252



DEUTSCH CONNECTOR  
(RECEPTACLE)



DEUTSCH PLUG



ELEVATION OVERRIDE PARTS ARE NOT USED WHEN ELEVATION MOTOR WITH BRAKE IS SPECIFIED