



33560009 In Cab Manual Override Kit Installation Guide

Caution:

The maximum Rotation (Left / Right), when using these manual cables will be 180 degrees (+/- 90 deg. as shown in drawing).

Mechanical Hard Stops for Rotation on the 3356 Trident Roof Turret must be set so that the maximum travel cannot be exceeded. This limitation is because the override cables should be bent only so far. Refer to the Instruction Manual for the 3356 Trident Roof Turret for hard stop setting information.

Setup Instructions:

- 1 - Prepare mounting holes for installation of cables into cab roof.
Two through holes required: 0.781" diameter each.

Figure 1

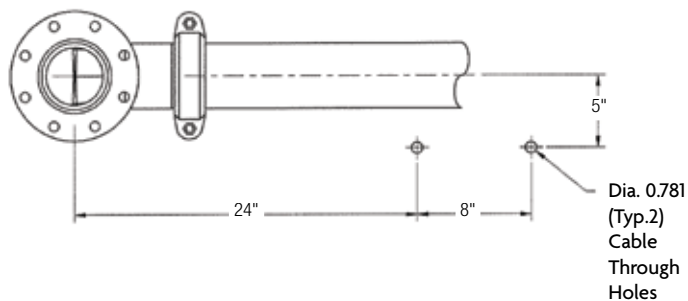
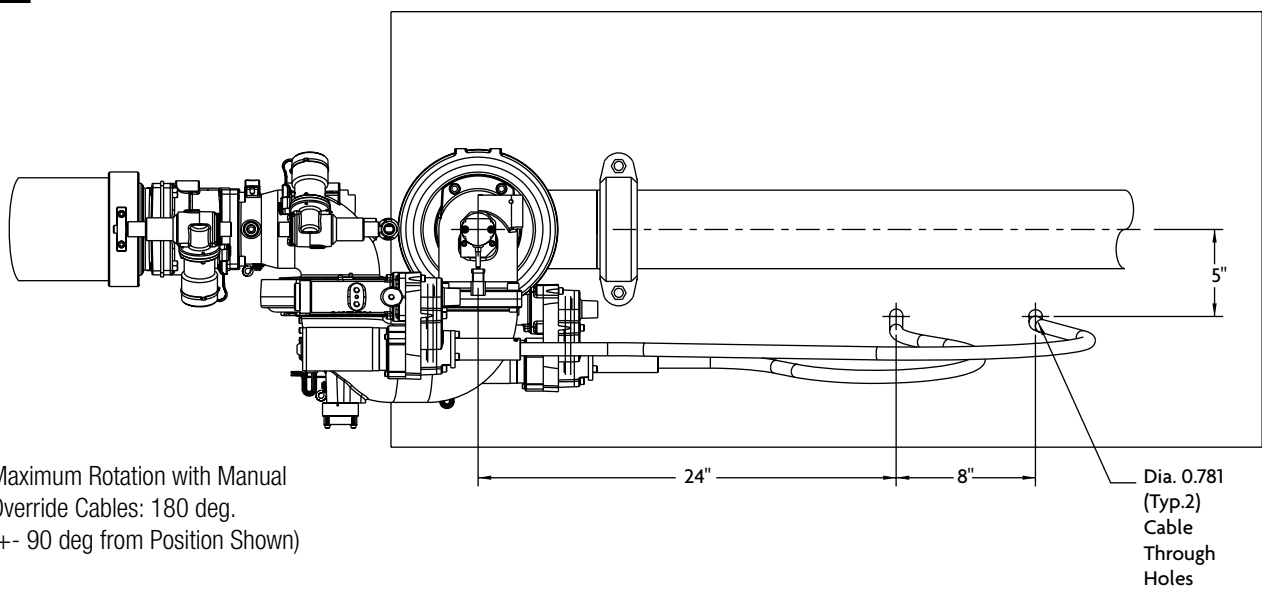
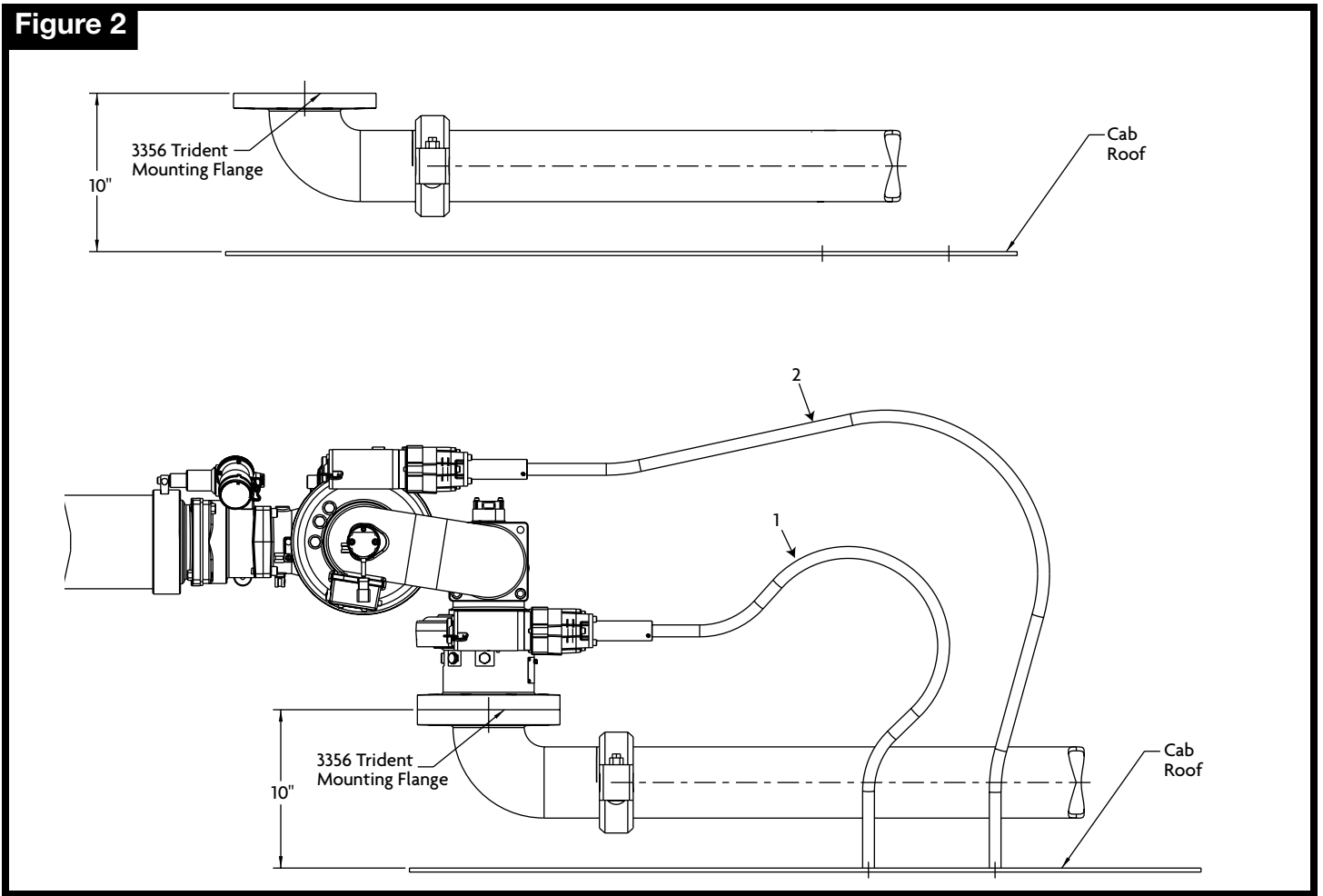


Figure 2



- 2 - Remove the two Manual Override hand wheels from the 3356 Trident roof Turret by first removing the center plastic cover, then removing the screw and washer that hold each Manual Override hand wheel in place.



- 3 - Remove the two set screws that hold the manual override mechanism in place on the 3356 Trident Roof Turret, then remove shaft and collar assembly. NOTE: Spring stays inside override housing.



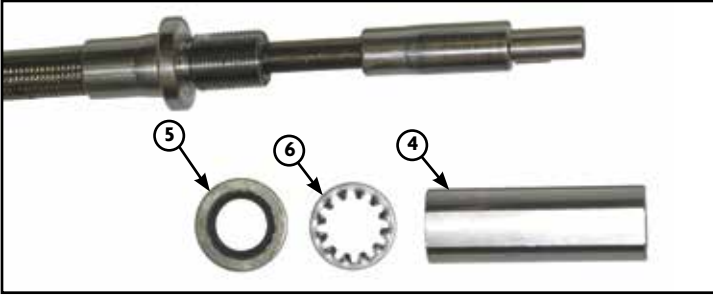
- 4 - Install drive end (hex end) of override cable fully into the manual override housing.



- 5 - Tighten set screws.



6 - Install sealing washer onto threaded end of override cable before inserting threaded end of cable into cab roof.



7 - Install internal star lock washer and threaded "stand-off" nut.



8 - Install escutcheon plate (Fig. 3) over stand-off nuts. (Mounting hardware supplied by installer)

9 - Install manual override hand wheel on shaft end (careful not to lose the key on drive shaft), then reinstall washer, screw, and plastic cover. Use "Small Screw" type thread locker on threads of screw.

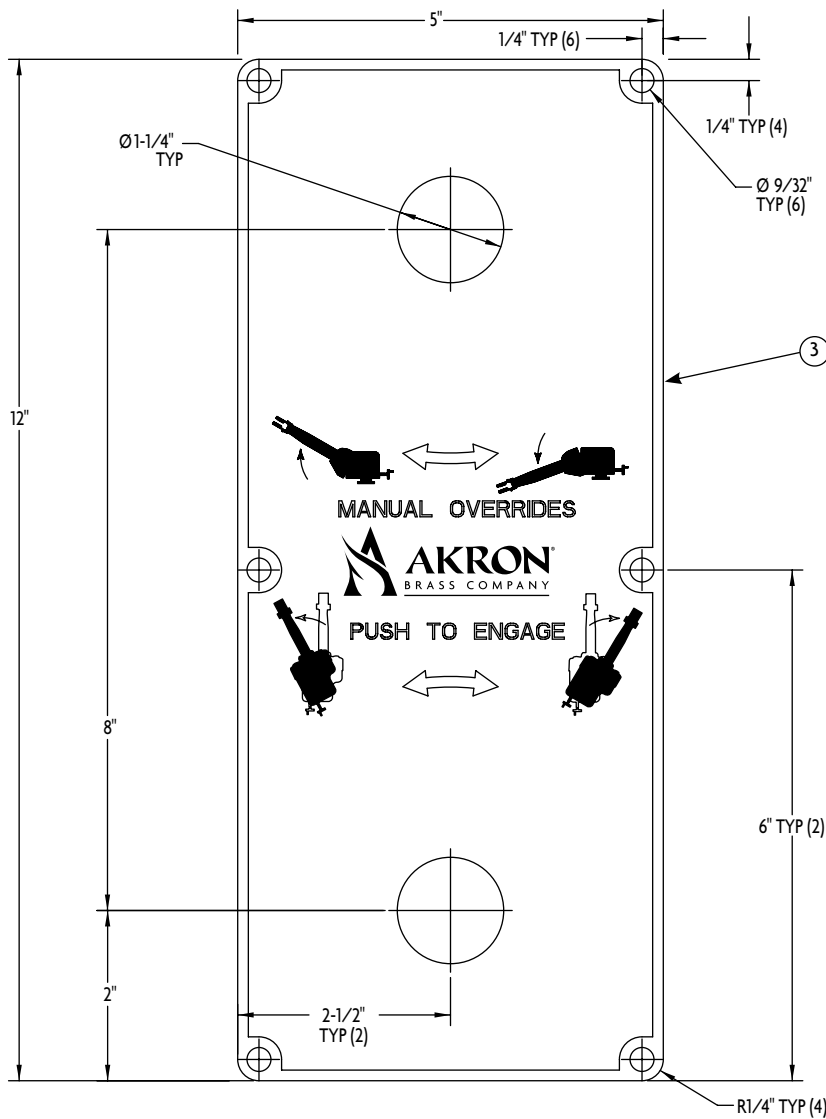


Operating Instructions:

Make sure that power is off to the 3356 Roof Turret, or that it will not be operated electrically. Push manual override handle in to engage, then turn. The manual override mechanism is spring loaded, so it will automatically disengage as soon as the manual override hand wheel is released.

ITEM NO.	DESCRIPTION	PART NUMBER	QUANTITY
1	Rotation Flexible Shaft 57.5"	770331	1
2	Elevation Flexible Shaft 69.5"	770332	1
3	Escutcheon Plate	745201	1
4	Shaft Cable Lock	771333	2
5	Sealing Washer	784180	2
6	Lock Washer	784181	2

Figure 3



NOTES:
 BACKGROUND TO HAVE SATIN FINISH
 LETTERING, BORDER, LOGO, ICONS TO BE ETCHED & FILLED & BLACK
 THIS DETAIL IS FOR REFERENCE ONLY AND SHOULD NOT
 BE USED TO CREATE THE GRAPHICS.
 USE THE ADOBE ILLUSTRATOR FILE TO PRODUCE
 THE ACTUAL SILKSCREEN GRAPHICS.



AKRON
BRASS COMPANY

Tested.. Proven.. Trusted.

ISO 9001 REGISTERED COMPANY

PHONE: 330.264.5678 or 800.228.1161 | FAX: 330.264.2944 or 800.531.7335 | akronbrass.com

REVISED: 4/12

WARRANTY AND DISCLAIMER: We warrant Akron Brass products for a period of five (5) years after purchase against defects in materials or workmanship. Akron Brass will repair or replace product which fails to satisfy this warranty. Repair or replacement shall be at the discretion of Akron Brass. Products must be promptly returned to Akron Brass for warranty service.

We will not be responsible for: wear and tear; any improper installation, use, maintenance or storage; negligence of the owner or user; repair or modification after delivery; damage; failure to follow our instructions or recommendations; or anything else beyond our control. WE MAKE NO WARRANTIES, EXPRESS OR IMPLIED, OTHER THAN THOSE INCLUDED IN THIS WARRANTY STATEMENT, AND WE DISCLAIM ANY IMPLIED WARRANTY OF MERCHANTABILITY OR FITNESS FOR ANY PARTICULAR PURPOSE. Further, we will not be responsible for any consequential, incidental or indirect damages (including, but not limited to, any loss of profits) from any cause whatsoever. No person has authority to change this warranty.

© Akron Brass Company, 2012 All rights reserved. No portion of this can be reproduced without the express written consent of Akron Brass Company.