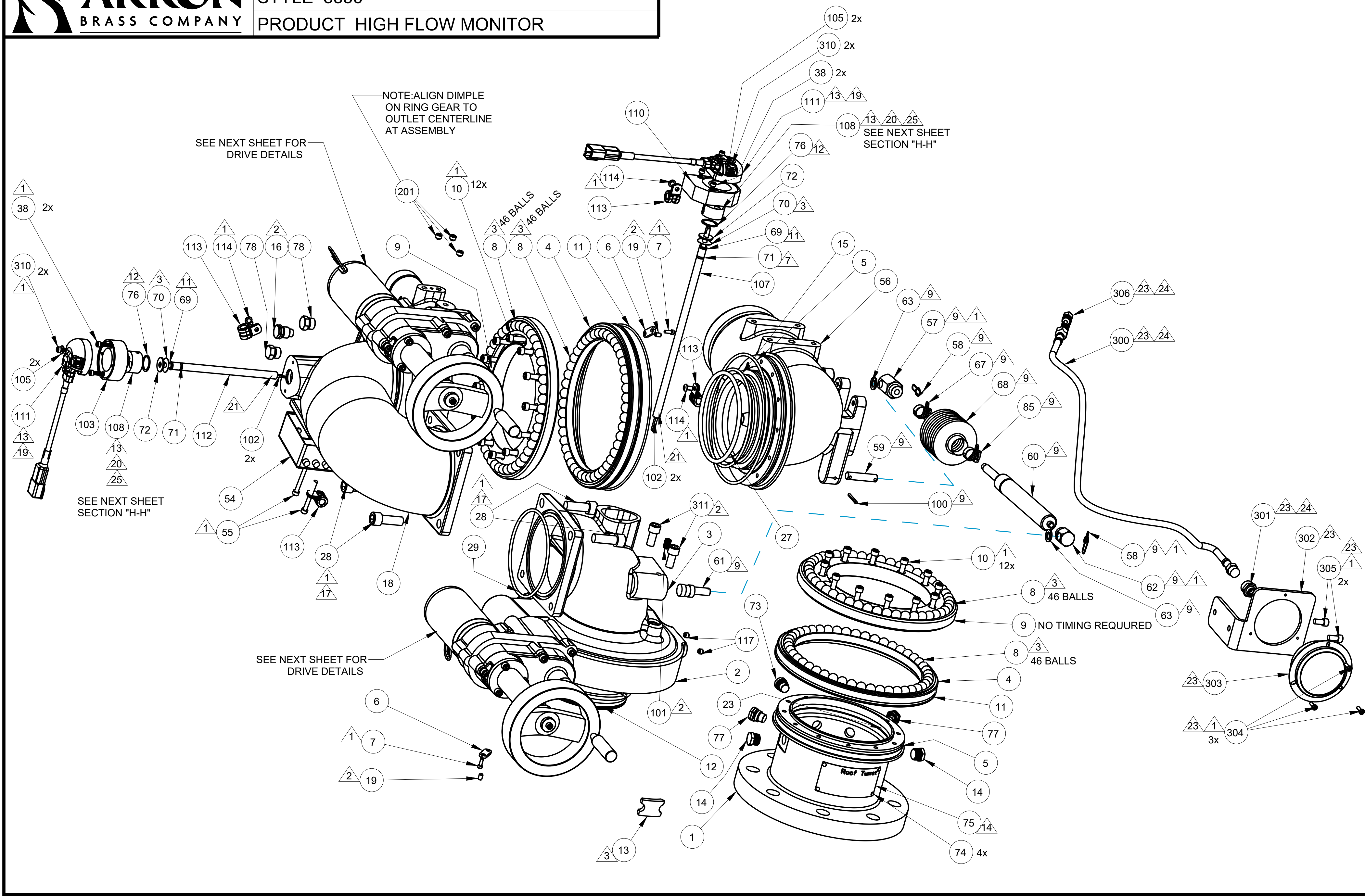




TECHNICAL SERVICE PARTS
STYLE 3356
PRODUCT HIGH FLOW MONITOR

IF AN ITEM IS NOTED AS "NOT FIELD REPAIRABLE", OR YOU WISH TO RETURN AN ITEM TO AKRON BRASS FOR SERVICE PLEASE GO ONLINE TO, ONLINEREPAIR.AKRONBRASS.COM

Chg.	Date
10	06-15
11	01-20



PHONE: 330.264.5678 or 800.228.1161 | FAX: 330.264.2944 or 800.531.7335 | www.akronbrass.com

Parts List Sheet:

WARRANTY AND DISCLAIMER: We warrant Akron Brass products for a period of five (5) years* after purchase against defects in materials or workmanship. Akron Brass will repair or replace product which fails to satisfy this warranty. Repair or replacement shall be at the discretion of Akron Brass. Products must be promptly returned to Akron Brass for warranty service. We will not be responsible for: wear and tear; any improper installation, use, maintenance or storage; negligence of the owner or user; repair or modification after delivery; failure to follow our instructions or recommendations; or anything else beyond our control. **WE MAKE NO WARRANTIES, EXPRESS OR IMPLIED, OTHER THAN THOSE INCLUDED IN THIS WARRANTY STATEMENT, AND WE DISCLAIM ANY IMPLIED WARRANTY OF MERCHANTABILITY OR FITNESS FOR ANY PARTICULAR PURPOSE.** Further, we will not be responsible for any consequential, incidental or indirect damages (including, but not limited to, any loss of profits) from any cause whatsoever. No person has authority to change this warranty. *Unless otherwise provided herein. Akron Brass industrial electronic components & the Severe-Duty Monitor have a one (1) year warranty. Select Akron Brass handline nozzles and valves carry a ten (10) year warranty. Scene Star Lights carry a (6) year warranty. Weldon products have a two (2) year warranty from date of manufacture (excluding consumable components). Select Weldon LED products carry a five (5) year warranty. Honda products have the manufacturers' warranty and Akron Brass disclaims any warranty in respect of those products.

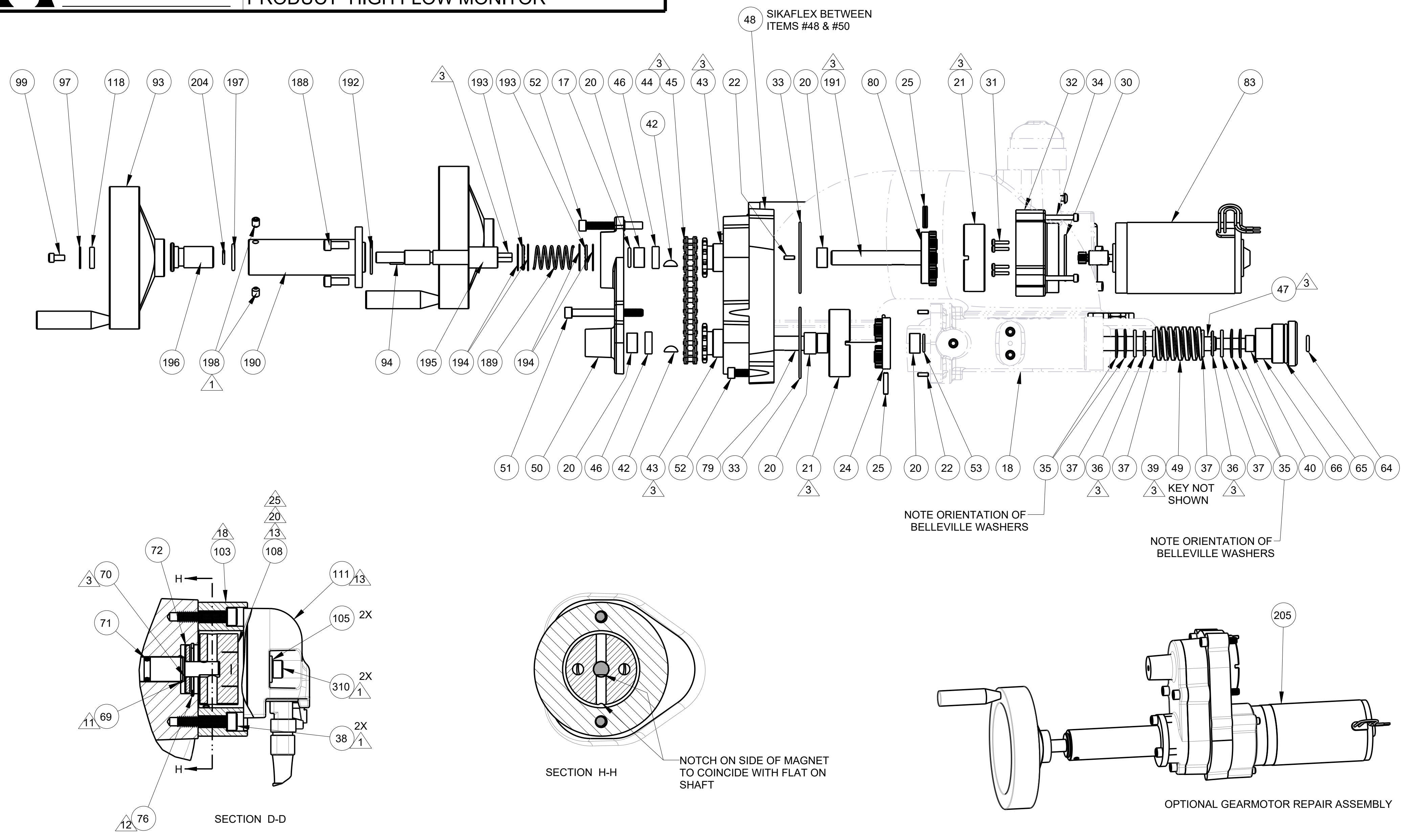
123040



TECHNICAL SERVICE PARTS
STYLE 3356
PRODUCT HIGH FLOW MONITOR

IF AN ITEM IS NOTED AS "NOT FIELD REPAIRABLE", OR YOU WISH TO RETURN AN ITEM TO AKRON BRASS FOR SERVICE PLEASE GO ONLINE TO, ONLINEREPAIR.AKRONBRASS.COM

Chg.	Date
10	06-15
11	01-20



PHONE: 330.264.5678 or 800.228.1161 | FAX: 330.264.2944 or 800.531.7335 | www.akronbrass.com

WARRANTY AND DISCLAIMER*: We warrant Akron Brass products for a period of five (5) years* after purchase against defects in materials or workmanship. Akron Brass will repair or replace product which fails to satisfy this warranty. Repair or replacement shall be at the discretion of Akron Brass. Products must be promptly returned to Akron Brass for warranty service. We will not be responsible for: wear and tear; any improper installation, use, maintenance or storage; negligence of the owner or user; repair or modification after delivery; failure to follow our instructions or recommendations; or anything else beyond our control. **WE MAKE NO WARRANTIES, EXPRESS OR IMPLIED, OTHER THAN THOSE INCLUDED IN THIS WARRANTY STATEMENT, AND WE DISCLAIM ANY IMPLIED WARRANTY OF MERCHANTABILITY OR FITNESS FOR ANY PARTICULAR PURPOSE.** Further, we will not be responsible for any consequential, incidental or indirect damages (including, but not limited to, any loss of profits) from any cause whatsoever. No person has authority to change this warranty. *Unless otherwise provided herein. Akron Brass industrial electronic components & the Severe-Duty Monitor have a one (1) year warranty. Select Akron Brass handline nozzles and valves carry a ten (10) year warranty. Scene Star Lights carry a (6) year warranty. Weldon products have a two (2) year warranty from date of manufacture (excluding consumable components). Select Weldon LED products carry a five (5) year warranty. Honda products have the manufacturers' warranty and Akron Brass disclaims any warranty in respect of those products.

© 2016 Akron Brass Company. All rights reserved. No portion of this can be reproduced without the express written consent of the Akron Brass Company.

Parts List Sheet:
123040

D45390



TECHNICAL SERVICE PARTS

STYLE 3356

PRODUCT HIGH FLOW MONITOR

IF AN ITEM IS NOTED AS "NOT FIELD REPAIRABLE", OR YOU WISH TO RETURN AN ITEM TO AKRON BRASS FOR SERVICE PLEASE GO ONLINE TO, **ONLINEREPAIR.AKRONBRASS.COM**

Chg.	Date
10	06-15
11	01-20

ASSEMBLY NOTES:

USE PARKER O-LUBE ON ALL O-RINGS AND MATING SURFACES UNLESS OTHERWISE NOTED.

- 1 USE PERMABOND LM113 OR LOCTITE 222.
- 2 USE PERMABOND HH120 OR LOCTITE 277.
- 3 USE LUBRIPLATE LOW-TEMP GREASE.
- 4 USE SIKAFLEX-1A SEALANT.
- 5 DIMPLE AT ASSEMBLY.
- 6 USE LOCTITE 680.
- 9 USED WITH GAS SPRING OPTION ONLY.
- 10 ASSEMBLE MOTOR TO PLANETARY HOUSING AND GEARBOX HOUSING SO THE MOTOR WIRE EGRESS IS AS SHOWN.
- 11 ASSEMBLE WITH ROUNDED EDGES OF RETAINING RING TOWARDS WATERWAY.
- 12 ASSEMBLE WITH ROUNDED EDGES OF RETAINING RING AWAY FROM WATERWAY.
- 13 ALIGN TIMING DIMPLE ON BOTH JOINTS PRIOR TO INSTALLING POSITION SENSORS. ADJUST OUTPUT TO 2.5 VOLTS \pm .01V ON EACH SENSOR.
- 14 CENTER NAMEPLATE BETWEEN ROTATION STOP HOLES AS SHOWN; STAMP STYLE NUMBER, SERIAL NUMBER AND MOTOR VOLTAGE AT ASSEMBLY. LEAVE RATED FLOW AND RATED PRESSURE FIELDS BLANK.
- 15 ADJUST GAS SPRING CAM (ITEM #61) TO ALLOW MONITOR TO HIT STOP AT +70°. TIGHTEN SET SCREW (ITEM #101) AFTER ADJUSTMENT. SEE ASSEMBLY INSTRUCTIONS.
- 16 TIGHTEN 22-28 FT LBS.
- 17 TIGHTEN 32-38 FT LBS.
- 18 VENT HOLE ON ITEM "103" MUST BE ORIENTED TOWARD BASE AS SHOWN.
- 19 INSTALL SENSOR WITH POTTED SIDE TOWARD WATERWAY.
- 20 TORQUE SET SCREWS 11 IN-LBS.
- 21 THOROUGHLY COAT SOCKETS FOR FEEDBACK SHAFTS WITH NEVER SEEZ MARINERS CHOICE.
- 22 1/4-NPT PLUG IN FLANGE WHEN SPECIFIED.
- 23 OPTIONAL PRESSURE GAUGE.
- 24 USE PERMABOND LH050 OR LOCTITE 592.
- 25 SET SCREWS SUPPLIED WITH POSITION MARKER. USE LOCTITE 425.

PHONE: 330.264.5678 or 800.228.1161 | FAX: 330.264.2944 or 800.531.7335 | www.akronbrass.com

Parts List Sheet:

123040

WARRANTY AND DISCLAIMER*: We warrant Akron Brass products for a period of five (5) years* after purchase against defects in materials or workmanship. Akron Brass will repair or replace product which fails to satisfy this warranty. Repair or replacement shall be at the discretion of Akron Brass. Products must be promptly returned to Akron Brass for warranty service. We will not be responsible for: wear and tear; any improper installation, use, maintenance or storage; negligence of the owner or user; repair or modification after delivery; failure to follow our instructions or recommendations; or anything else beyond our control. WE MAKE NO WARRANTIES, EXPRESS OR IMPLIED, OTHER THAN THOSE INCLUDED IN THIS WARRANTY STATEMENT, AND WE DISCLAIM ANY IMPLIED WARRANTY OF MERCHANTABILITY OR FITNESS FOR ANY PARTICULAR PURPOSE. Further, we will not be responsible for any consequential, incidental or indirect damages (including, but not limited to, any loss of profits) from any cause whatsoever. No person has authority to change this warranty. *Unless otherwise provided herein. Akron Brass industrial electronic components & the Severe-Duty Monitor have a one (1) year warranty. Select Akron Brass handline nozzles and valves carry a ten (10) year warranty. Scene Star Lights carry a (6) year warranty. Weldon products have a two (2) year warranty from date of manufacture (excluding consumable components). Select Weldon LED products carry a five (5) year warranty. Honda products have the manufacturers' warranty and Akron Brass disclaims any warranty in respect of those products.

© 2016 Akron Brass Company. All rights reserved. No portion of this can be reproduced without the express written consent of the Akron Brass Company.

D45390



TECHNICAL SERVICE PARTS

STYLE 3356

PRODUCT HIGH FLOW MONITOR

IF AN ITEM IS NOTED AS "NOT FIELD REPAIRABLE", OR YOU WISH TO RETURN AN ITEM TO AKRON BRASS FOR SERVICE PLEASE GO ONLINE TO, ONLINEREPAIR.AKRONBRASS.COM

Chg.	Date
10	06-15
11	01-20

ITEM	DESCRIPTION	PART NUMBER	QTY
1	BASE INLET 4" 150 LB.	122066	1
1	BASE INLET DN100	124551	1
2	ELBOW INLET	123383	1
4	RING BALL RETAINER	120095	2
5	O-RING 2-260	757386	2
6	KEEPER	120137	2
7	SCREW SOC HD CAP 6-32 X 3/8"	765175	2
8	A BALL BRASS 1/2"	-	184
9	GEAR ELEVATION	121593	2
10	SCREW SOC HD CAP 1/4 -20 X 3/4"	765030	24
11	O-RING 2-171	757435	2
12	O-RING 2-348	757376	1
13	SLIDER	122127	1
14	PLUG BLACK	744432	2
15	O-RING 2-249	757075	1
16	STOP ST STL	769843	1
17	O-RING 2-112	757313	2
18	ELBOW MIDDLE	121592	1
19	SCREW SOC HD SET CUP PT 10-24 X 5/16"	765040	2
20	BEARING ROLLER NEEDLE	704395	10
21	GEAR INTERNAL	718192	4
22	PIN ROLL 1/8 X 1/2 ST STL	744288	8
23	O-RING 2-355	757453	1
24	PLANETARY GEAR S/A	33560029	2
25	PIN ROLL 18-879-028-156-0750	744118	4
27	O-RING 2-347	757446	1
28	SCREW SOC HD CAP 7/16-14 X 1-1/4"	765207	4
29	O-RING 2-245	757225	1
30	O-RING 2-029	757056	2
31	SCREW SOC HD CAP 6-32 X 1/2"	765052	8
32	GEARBOX PLANETARY	121589	2
33	O-RING 2-036	757312	4
34	SCREW SOC HD CAP 8-32 X 1 3/8"	765278	6
35	SPRING BELLEVILLE	769276	8
36	BEARING NEEDLE TORRINGTON	703453	4
37	WASHER THRUST	784121	8
38	SCREW SOC HD CAP 8-32 X 3/4"	765178	4
39	GEAR WORM	718273	2
40	BEARING	704393	2
42	KEY WOODRUFF 1/8 X 1/2 #404	727025	4
43	SPROCKET 10 TEETH X 1/2 BORE	769499	4
44	CHAIN ROLLER #35	706923	24
45	LINK MASTER #35	729092	2
46	SPACER ACETAL	769495	4
47	SHAFT WORM	768393	2
48	HOUSING GEARBOX	121588	2
49	KEY SPECIAL	727044	2
50	COVER GEARBOX	121882	2

ITEM	DESCRIPTION	PART NUMBER	QTY
51	SCREW SOC HD CAP 1/4 - 20 X 2 1/2"	765276	4
52	SCREW SOC HD CAP 1/4 - 20 X 1 1/4"	765277	6
53	O-RING 2-014	757041	2
54	HARNESS WIRING U2	721536	1
55	SCREW SOC HD CAP 10-24 X 2"	763077	2
56	ELBOW OUTLET	122065	1
57	END CLEVIS	710145	1
58	CLIP HAIRPIN	744222	2
59	PIN GAS SPRING	742175	1
60	CYLINDER GAS	707515	1
61	CAM ADJUSTOR	707154	1
62	CLEVIS END	707155	1
63	WASHER FLAT 5/8 X 3/8 X 1/16	784064	2
64	O-RING 2-110	757295	2
65	O-RING 2-123	757054	2
66	CAP BEARING	121607	2
67	CLAMP	707524	1
68	BELLOWS GAS SPRING	704951	1
69	RING TRUARC	758247	2
70	SHIM	769887	2
71	O-RING 2-010	757005	2
72	WASHER .732 X .238 X .060	784192	2
73	STOP PERMANENT	769752	1
74	NAIL GRIP	736052	4
75	PLATE ID	744512	1
76	RING SNAP	758127	2
77	STOP ST STL	769755	2
78	PLUG BLACK CELCON	745187	2
79	SHAFT SPROCKET	768395	2
80	PLANETARY GEAR S/A	33560028	2
83	MOTOR S/A 12 VOLT	33560002	2
83	MOTOR S/A 24 VOLT	33560003	2
85	CLAMP WORM DRIVE	706017	1
93	HANDWHEEL	721608	2
94	KEY WOODRUFF 3/32 X 1/2	727026	2
97	WASHER FLAT 3/4ODX13/64IDX.040	784168	2
99	SCREW SOC HD CAP10-24 X 3/8"	767029	2
100	PIN ROLL	744056	1
101	SCREW SOC HD SET CUP PT5/16-18 X 1/2"	765268	1
102	PIN ROLL	744078	4
103	ADPT ELEV FEEDBACK	122129	1
105	WASHER #8 NARROW 3/8 X .188 X .04	784123	4
107	SHAFT ROTATION FEEDBACK	770346	1

ITEM	DESCRIPTION	PART NUMBER	QTY
108	MARKER POSITION MAGNET	731127	2
110	ADAPTER ROTATION FEEDBACK	123863	1
111	SENSOR ASSEMBLY	60430006	2
112	SHAFT ELEVATION FEEDBACK	770345	1
113	CLAMP CABLE	707548	4
114	SCREW BTTN HD #10-24 X 3/8"	765143	3
117	SCREW SOC HD SET LOC WELL1/4 -20X1/4"	765083	2
118	SPACER	770412	2
188	SCREW SOC HD CAP 1/4 -20 X 5/8"	765029	6
189	SPRING COMPRESSION	768403	2
190	EXTENSION HANDWHEEL	121872	2
191	SHAFT OUTPUT	768405	2
192	O-RING 2-023	757345	2
193	BEARING NEEDLE TORRINGTON	703453	4
194	WASHER THRUST TORRINGTON	784111	8
195	SHAFT HANDWHEEL	768404	2
196	BUSHING HANDWHEEL	121871	2
197	O-RING 2-116	757113	2
198	SCREW SET CUP 1/4-20 X 5/16"	765047	4
201	SCREW SOC HD SET CUP PT 5/16-18 X 1/4"	765071	3
204	O-RING 2-012	757282	2
205	12 V GEARMOTOR REPAIR ASSEMBLY	33560034	2
205	24 V GEARMOTOR REPAIR ASSEMBLY	33560035	2
300	BRAIDED HOSE 34"	34650127	1
301	PIPE COUPLING 1/4 X 1/8	707745	1
302	PRESSURE GAUGE BRACKET	703980	1
303	PRESSURE GAUGE	708107	1
304	SCREW PAN HEAD 6-32 X 1/2"	765312	3
305	SCREW SOC HEAD CAP 1/4-20 X 1/2"	765020	2
306	ELBOW 1/8 NPT X 7/16-20	713199	1
310	SCREW SOC HEAD CAP 8-32 X 5/8"	761095	4
311	SCREW SOC HEAD CAP 3/8-16 X 3/4"	767192	2
A	KIT OF 50 BALLS: 1/2 BRASS	116252	

PHONE: 330.264.5678 or 800.228.1161 | FAX: 330.264.2944 or 800.531.7335 | www.akronbrass.com

WARRANTY AND DISCLAIMER: We warrant Akron Brass products for a period of five (5) years* after purchase against defects in materials or workmanship. Akron Brass will repair or replace product which fails to satisfy this warranty. Repair or replacement shall be at the discretion of Akron Brass. Products must be promptly returned to Akron Brass for warranty service. We will not be responsible for: wear and tear; any improper installation, use, maintenance or storage; negligence of the owner or user; repair or modification after delivery; failure to follow our instructions or recommendations; or anything else beyond our control. WE MAKE NO WARRANTIES, EXPRESS OR IMPLIED, OTHER THAN THOSE INCLUDED IN THIS WARRANTY STATEMENT, AND WE DISCLAIM ANY IMPLIED WARRANTY OF MERCHANTABILITY OR FITNESS FOR ANY PARTICULAR PURPOSE. Further, we will not be responsible for any consequential, incidental or indirect damages (including, but not limited to, any loss of profits) from any cause whatsoever. No person has authority to change this warranty. *Unless otherwise provided herein. Akron Brass industrial electronic components & the Severe-Duty Monitor have a one (1) year warranty. Select Akron Brass handline nozzles and valves carry a ten (10) year warranty. Scene Star Lights carry a (6) year warranty. Weldon products have a two (2) year warranty from date of manufacture (excluding consumable components). Select Weldon LED products carry a five (5) year warranty. Honda products have the manufacturers' warranty and Akron Brass disclaims any warranty in respect of those products.

© 2016 Akron Brass Company. All rights reserved. No portion of this can be reproduced without the express written consent of the Akron Brass Company.

Parts List Sheet:

123040