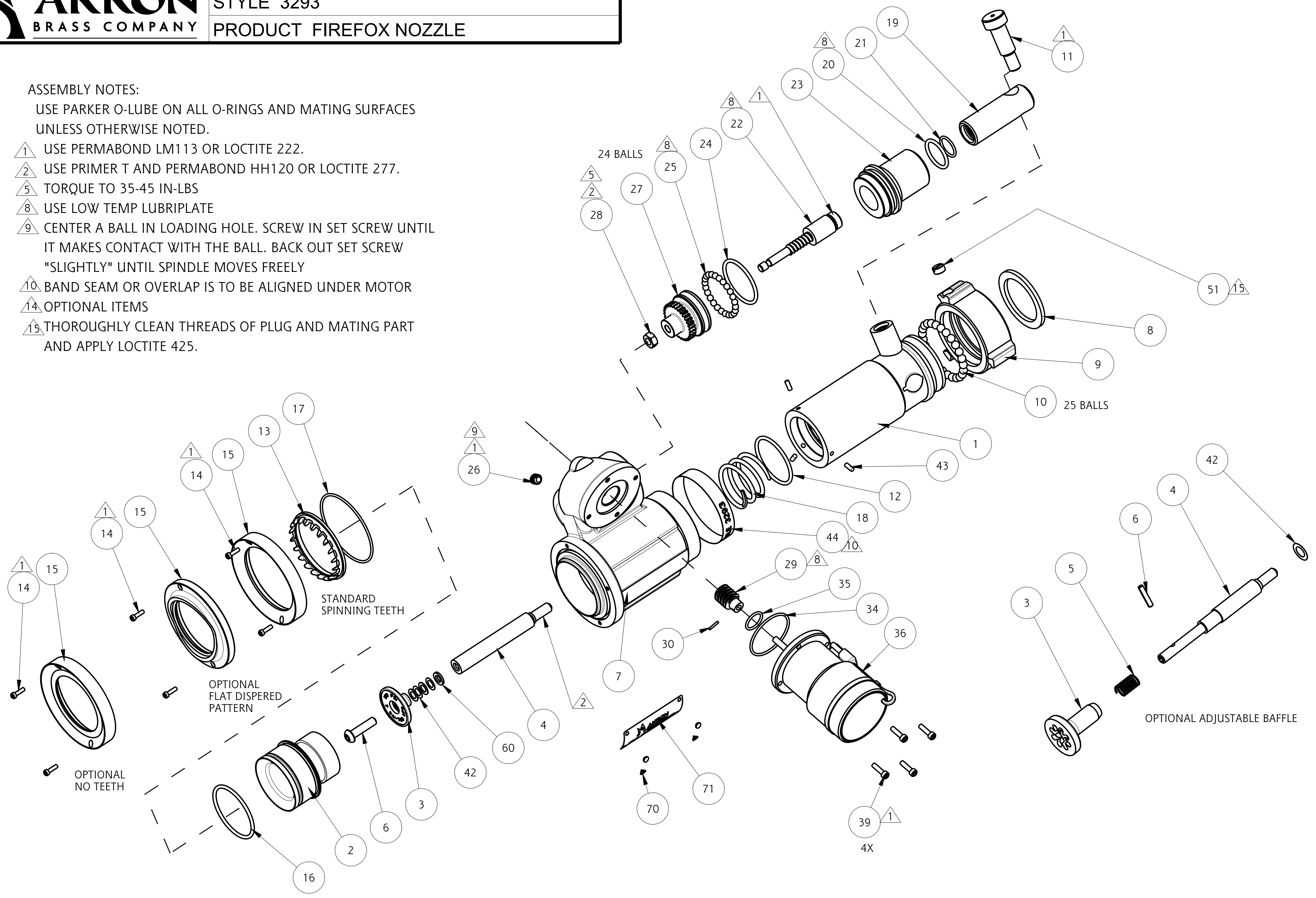


Chg.	Date
07	06-17
08	06-18

ASSEMBLY NOTES:

USE PARKER O-LUBE ON ALL O-RINGS AND MATING SURFACES UNLESS OTHERWISE NOTED.

- ▲1 USE PERMABOND LM113 OR LOCTITE 222.
- ▲2 USE PRIMER T AND PERMABOND HH120 OR LOCTITE 277.
- ▲5 TORQUE TO 35-45 IN-LBS
- ▲8 USE LOW TEMP LUBRIPLATE
- ▲9 CENTER A BALL IN LOADING HOLE. SCREW IN SET SCREW UNTIL IT MAKES CONTACT WITH THE BALL. BACK OUT SET SCREW "SLIGHTLY" UNTIL SPINDLE MOVES FREELY
- ▲10 BAND SEAM OR OVERLAP IS TO BE ALIGNED UNDER MOTOR
- ▲14 OPTIONAL ITEMS
- ▲15 THOROUGHLY CLEAN THREADS OF PLUG AND MATING PART AND APPLY LOCTITE 425.



PHONE: 330.264.5678 or 800.228.1161 | FAX: 330.264.2944 or 800.531.7335 | www.akronbrass.com

Parts List Sheet:

117903

WARRANTY AND DISCLAIMER*: We warrant Akron Brass products for a period of five (5) years* after purchase against defects in materials or workmanship. Akron Brass will repair or replace product which fails to satisfy this warranty. Repair or replacement shall be at the discretion of Akron Brass. Products must be promptly returned to Akron Brass for warranty service. We will not be responsible for: wear and tear; any improper installation, use, maintenance or storage; negligence of the owner or user; repair or modification after delivery; failure to follow our instructions or recommendations; or anything else beyond our control. WE MAKE NO WARRANTIES, EXPRESS OR IMPLIED, OTHER THAN THOSE INCLUDED IN THIS WARRANTY STATEMENT, AND WE DISCLAIM ANY IMPLIED WARRANTY OF MERCHANTABILITY OR FITNESS FOR ANY PARTICULAR PURPOSE. Further, we will not be responsible for any consequential, incidental or indirect damages (including, but not limited to, any loss of profits) from any cause whatsoever. No person has authority to change this warranty. *Unless otherwise provided herein. Akron Brass industrial electronic components & the Severe-Duty Monitor have a one (1) year warranty. Select Akron Brass handline nozzles and valves carry a ten (10) year warranty. Scene Star Lights carry a (6) year warranty. Weldon products have a two (2) year warranty from date of manufacture (excluding consumable components). Select Weldon LED products carry a five (5) year warranty. Honda products have the manufacturers' warranty and Akron Brass disclaims any warranty in respect of those products.

© 2016 Akron Brass Company. All rights reserved. No portion of this can be reproduced without the express written consent of the Akron Brass Company.



TECHNICAL SERVICE PARTS

STYLE 3293

PRODUCT FIREFOX NOZZLE

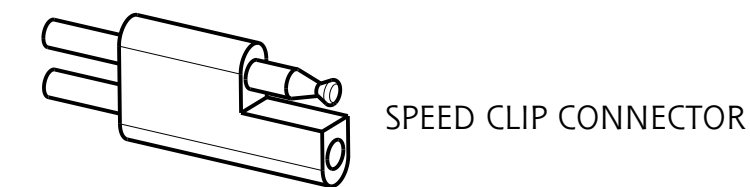
IF AN ITEM IS NOTED AS "NOT FIELD REPAIRABLE", OR YOU WISH TO RETURN AN ITEM TO AKRON BRASS FOR SERVICE PLEASE GO ONLINE TO, ONLINEREPAIR.AKRONBRASS.COM

Chg.	Date
07	06-17
08	06-18

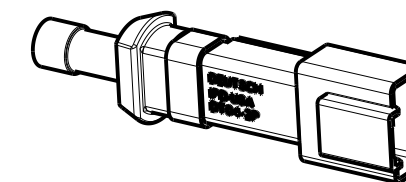
Find	Description	Item	QTY
1	NOZZLE BODY	124040	1
2	THROAT	117892	1
3	BAFFLE HEAD FIXED	107967	1
3	BAFFLE HEAD 30-125GPM	117895	1
3	BAFFLE HEAD 115-475LPM	117896	1
4	BAFFLE STEM FIXED	768349	1
4	BAFFLE STEM ADJUSTABLE	768307	1
5	SPRING	769634	1
6	PIN GROOVE 5/32 X 3/4	741056	1
6	SCREW SOC HD BUTTON 1/4-20 X 1	765182	1
7	PATTERN SLEEVE	117894	1
8	GSKT 2-1/16X1-9/16 X1/8	717042	1
9	SWVL 3RL 1.5NH	115424	1
10	A BALL Ø1/4	-	25
11	SHOULDER SCREW 3/8-16 X 1	765198	1
12	O-RING 2-129	757308	1
13	TURBINE TEETH	772153	1
14	SCREW SOC HD CAP 4-40 X 3/8	767019	2
15	PATTERN RING	758241	1
15	PATTERN RING FLAT DISPERSE	119526	1
15	PATTERN RING W/O SPINNING TEETH	120406	1
16	O-RING 2-132	757268	1
17	O-RING 2-036	757309	1
18	SPRING	769629	1
19	SCREW HOUSING	117924	1
20	O-RING 2-118	757293	1
21	O-RING 2-016	757055	1
22	FREEWHEELING SCREW	767148	1
23	GUIDE TUBE	108379	1
24	O-RING 2-127	757048	1
25	B BALL Ø3/16	-	24
26	SCREW SOC HD 5/16-24 X 1/4	765134	1
27	BALLSCREW GEAR	718191	1
28	HEX NUT 1/4-20	734061	1
29	PATT ACTUATOR WORM	785021	1
30	ROLL PIN 1/16 X 3/8	744341	1
34	O-RING 2-029	757056	1
35	O-RING 2-015	757112	1
36	12V MOTOR ASSEMBLY WITH SPEED CLIP	50770028	1
36	24V MOTOR ASSEMBLY WITH SPEED CLIP	50770029	1
36	12V MOTOR ASSEMBLY WITH DEUTSCH CONNECTOR	33560006	1
36	24V MOTOR ASSEMBLY WITH DEUTSCH CONNECTOR	33560008	1
39	SCREW SOC HD CAP 6-32 X 1/2	765150	4
42	D BAFFLE SHIMS	-	-
43	RETAINING PIN	744178	3
44	ID BAND 12V	704645	1
44	ID BAND 24V	704646	1
51	SWIVEL PLUG	742023	1
60	C SPACER	-	-
70	NAIL GRIP DEICING	736052	4
71	SERIAL TAG DEICING	773392	1

C	FLOW GPM/LPM	STEEL SHIM SELECTION (Find 60)		
		100psi/7bar	150psi/10bar	87psi/6bar
	200/750	769676	-	-
	150/550	768246 + 768247	-	-
	132/500	-	-	768246 (2)
	75/285	768246	-	-
	60/230	-	769388	-
	50/190	769388	-	-
	45/170	769388	-	-
	30/115	No Spacer	-	-

A	KIT OF 50 BALLS Ø 1/4"	123074
B	KIT OF 50 BALLS Ø 3/16"	121874
C,D	INSTALLED AT FACTORY	



SPEED CLIP CONNECTOR



DEUTSCH CONNECTOR

PHONE: 330.264.5678 or 800.228.1161 | FAX: 330.264.2944 or 800.531.7335 | www.akronbrass.com

WARRANTY AND DISCLAIMER*: We warrant Akron Brass products for a period of five (5) years* after purchase against defects in materials or workmanship. Akron Brass will repair or replace product which fails to satisfy this warranty. Repair or replacement shall be at the discretion of Akron Brass. Products must be promptly returned to Akron Brass for warranty service. We will not be responsible for: wear and tear; any improper installation, use, maintenance or storage; negligence of the owner or user; repair or modification after delivery; failure to follow our instructions or recommendations; or anything else beyond our control. **WE MAKE NO WARRANTIES, EXPRESS OR IMPLIED, OTHER THAN THOSE INCLUDED IN THIS WARRANTY STATEMENT, AND WE DISCLAIM ANY IMPLIED WARRANTY OF MERCHANTABILITY OR FITNESS FOR ANY PARTICULAR PURPOSE.** Further, we will not be responsible for any consequential, incidental or indirect damages (including, but not limited to, any loss of profits) from any cause whatsoever. No person has authority to change this warranty. *Unless otherwise provided herein. Akron Brass industrial electronic components & the Severe-Duty Monitor have a one (1) year warranty. Select Akron Brass handheld nozzles and valves carry a ten (10) year warranty. Scene Star Lights carry a (6) year warranty. Weldon products have a two (2) year warranty from date of manufacture (excluding consumable components). Select Weldon LED products carry a five (5) year warranty. Honda products have the manufacturers' warranty and Akron Brass disclaims any warranty in respect of those products.

Parts List Sheet:

117903