

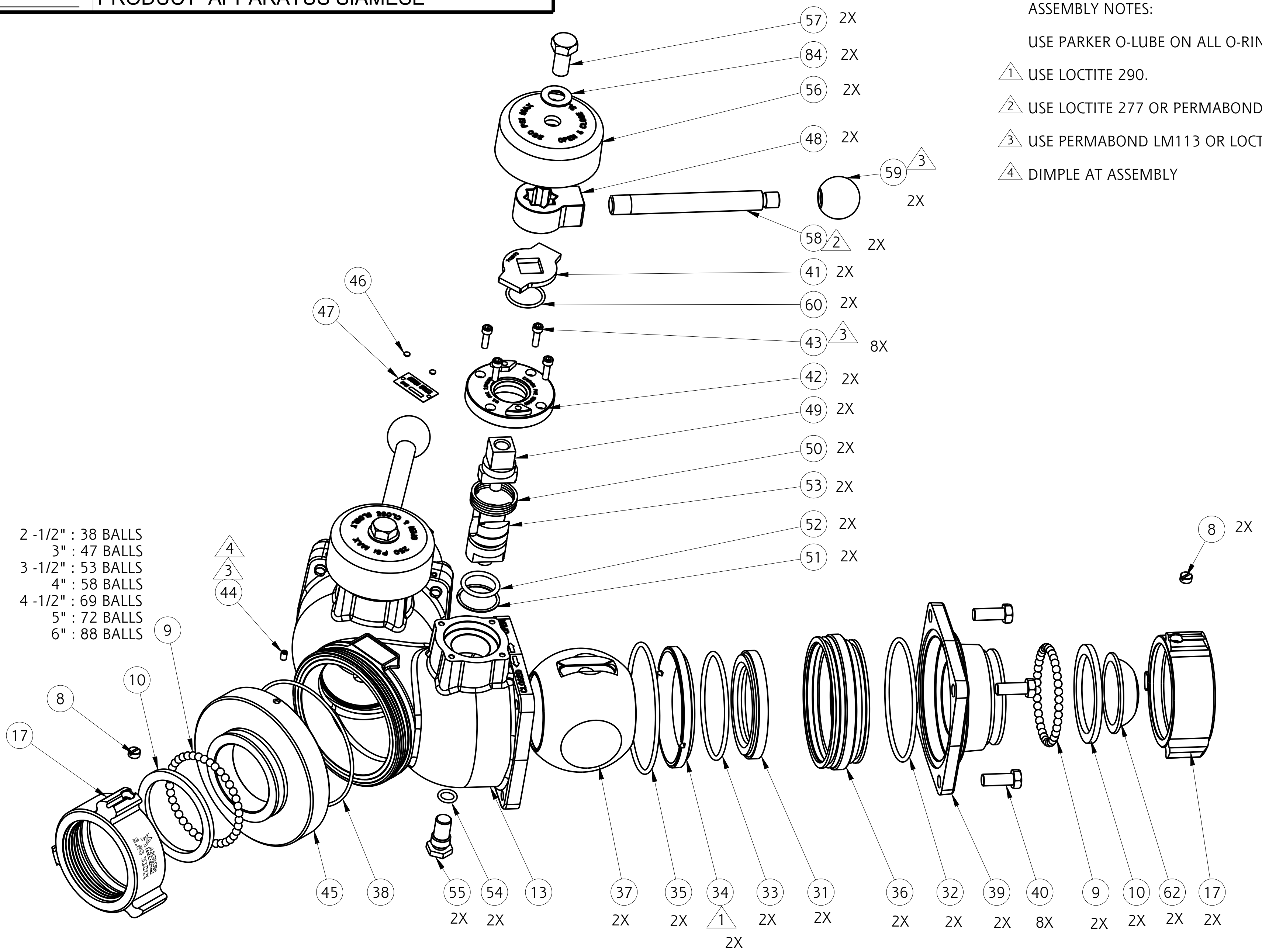


TECHNICAL SERVICE PARTS
STYLE 1583
PRODUCT APPARATUS SIAMESE

IF AN ITEM IS NOTED AS "NOT FIELD REPAIRABLE", OR YOU WISH TO RETURN AN ITEM TO AKRON BRASS FOR SERVICE PLEASE GO ONLINE TO, **ONLINEREPAIR.AKRONBRASS.COM**

Chg.	Date
13	03-19
14	11-19

- 2 -1/2" : 38 BALLS
- 3" : 47 BALLS
- 3 -1/2" : 53 BALLS
- 4" : 58 BALLS
- 4 -1/2" : 69 BALLS
- 5" : 72 BALLS
- 6" : 88 BALLS



ASSEMBLY NOTES:
 USE PARKER O-LUBE ON ALL O-RINGS
 △1 USE LOCTITE 290.
 △2 USE LOCTITE 277 OR PERMABOND HH120.
 △3 USE PERMABOND LM113 OR LOCTITE 222.
 △4 DIMPLE AT ASSEMBLY

PHONE: 330.264.5678 or 800.228.1161 | FAX: 330.264.2944 or 800.531.7335 | www.akronbrass.com

WARRANTY AND DISCLAIMER*: We warrant Akron Brass products for a period of five (5) years* after purchase against defects in materials or workmanship. Akron Brass will repair or replace product which fails to satisfy this warranty. Repair or replacement shall be at the discretion of Akron Brass. Products must be promptly returned to Akron Brass for warranty service. We will not be responsible for: wear and tear; any improper installation, use, maintenance or storage; negligence of the owner or user; repair or modification after delivery; failure to follow our instructions or recommendations; or anything else beyond our control. **WE MAKE NO WARRANTIES, EXPRESS OR IMPLIED, OTHER THAN THOSE INCLUDED IN THIS WARRANTY STATEMENT, AND WE DISCLAIM ANY IMPLIED WARRANTY OF MERCHANTABILITY OR FITNESS FOR ANY PARTICULAR PURPOSE.** Further, we will not be responsible for any consequential, incidental or indirect damages (including, but not limited to, any loss of profits) from any cause whatsoever. No person has authority to change this warranty. *Unless otherwise provided herein. Akron Brass industrial electronic components & the Severe-Duty Monitor have a one (1) year warranty. Select Akron Brass handline nozzles and valves carry a ten (10) year warranty. Scene Star Lights carry a (6) year warranty. Weldon products have a two (2) year warranty from date of manufacture (excluding consumable components). Select Weldon LED products carry a five (5) year warranty. Honda products have the manufacturers' warranty and Akron Brass disclaims any warranty in respect of those products.
 © 2016 Akron Brass Company. All rights reserved. No portion of this can be reproduced without the express written consent of the Akron Brass Company.

Parts List Sheet:
115381
 D20343



TECHNICAL SERVICE PARTS

STYLE 1583

PRODUCT APPARATUS SIAMESE

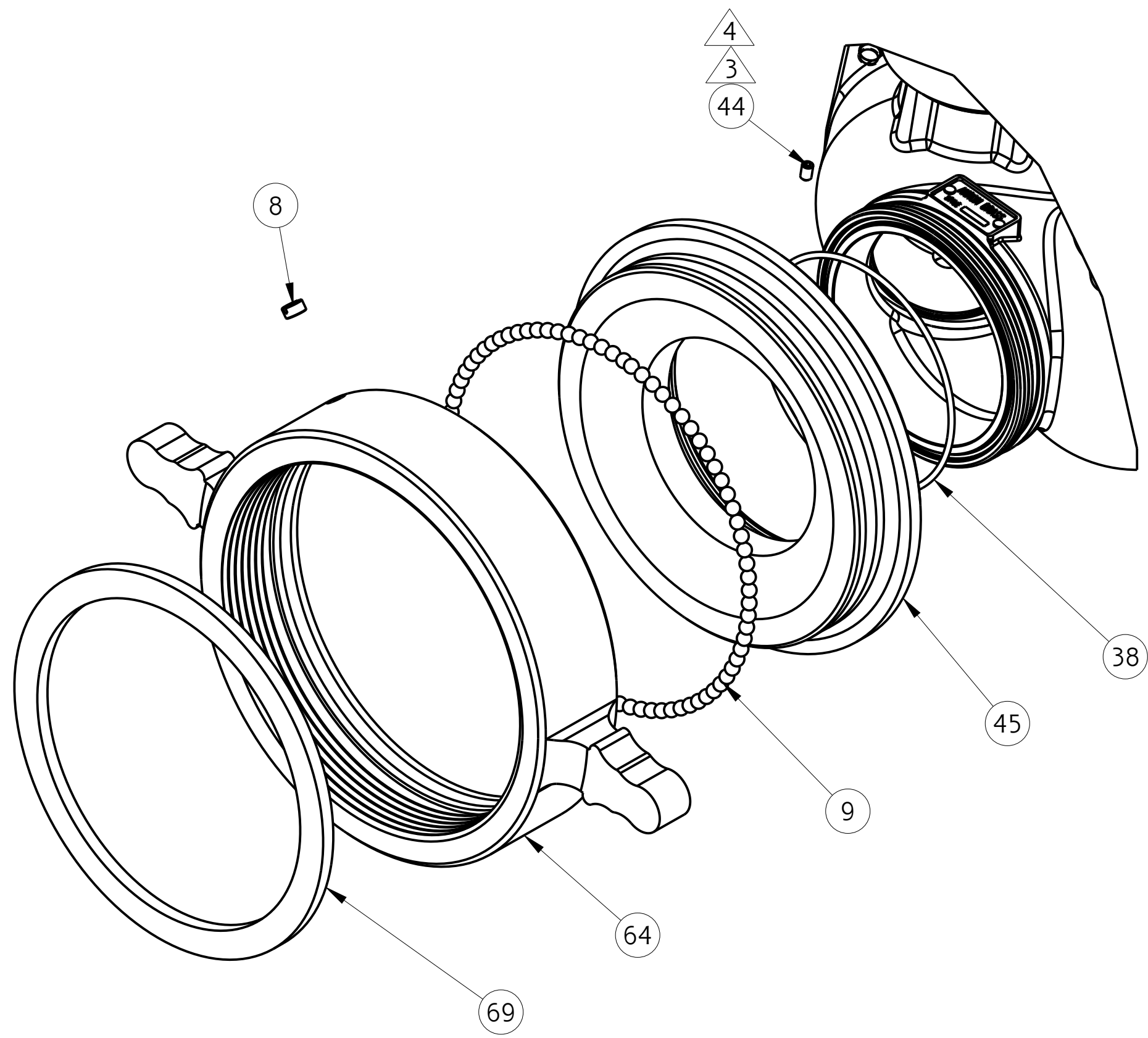
IF AN ITEM IS NOTED AS "NOT FIELD REPAIRABLE", OR YOU WISH TO RETURN AN ITEM TO AKRON BRASS FOR SERVICE PLEASE GO ONLINE TO, ONLINEREPAIR.AKRONBRASS.COM

Chg.	Date
13	03-19
14	11-19

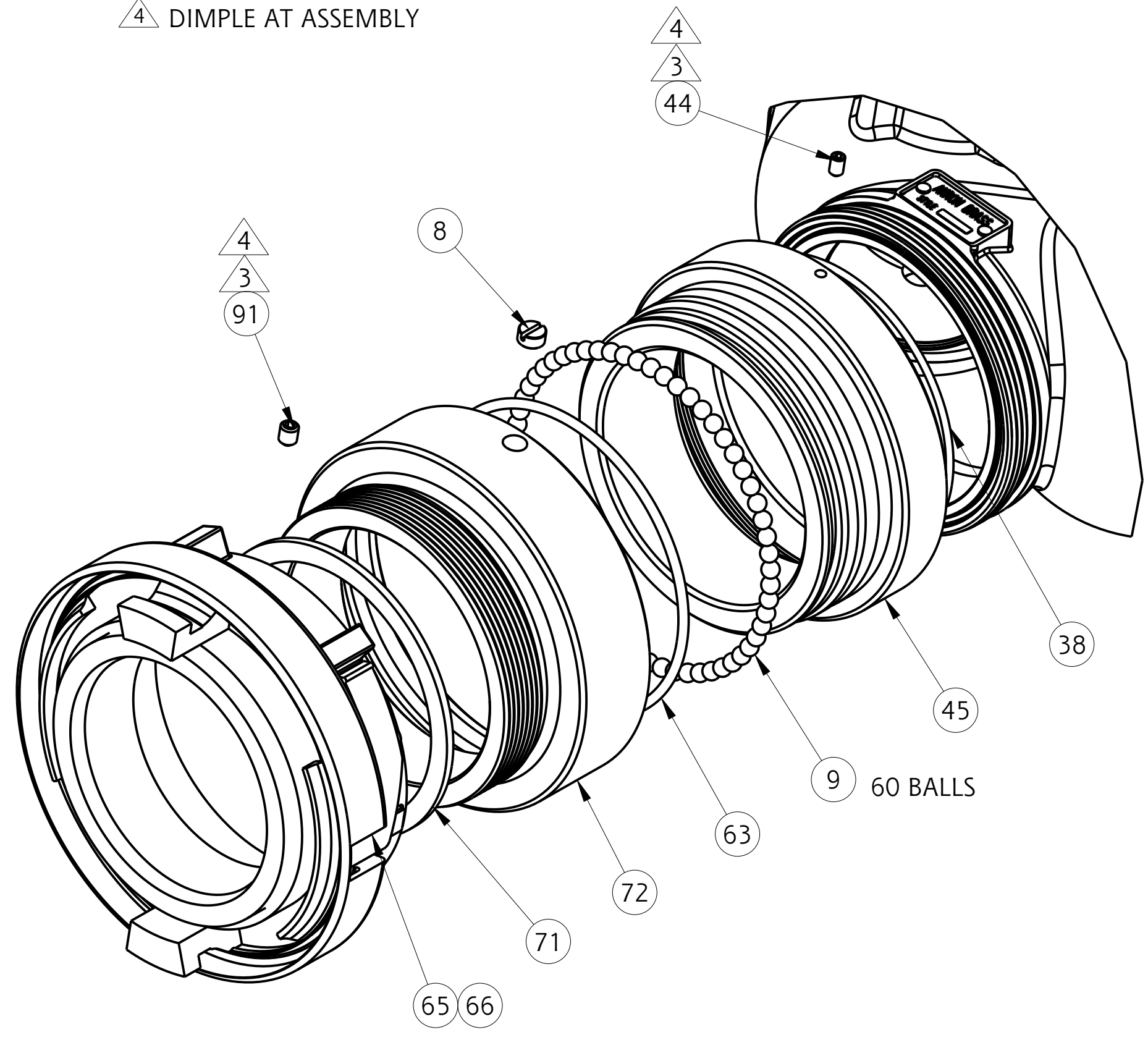
ASSEMBLY NOTES:

USE PARKER O-LUBE ON ALL O-RINGS

- ① USE LOCTITE 290.
- ② USE LOCTITE 277 OR PERMABOND HH120.
- ③ USE PERMABOND LM113 OR LOCTITE 222.
- ④ DIMPLE AT ASSEMBLY



OPTIONAL 2.5", 3", 4", 4.5", 5", 6" LH SWIVEL INLET



OPTIONAL STORZ INLET

PHONE: 330.264.5678 or 800.228.1161 | FAX: 330.264.2944 or 800.531.7335 | www.akronbrass.com

WARRANTY AND DISCLAIMER*: We warrant Akron Brass products for a period of five (5) years* after purchase against defects in materials or workmanship. Akron Brass will repair or replace product which fails to satisfy this warranty. Repair or replacement shall be at the discretion of Akron Brass. Products must be promptly returned to Akron Brass for warranty service. We will not be responsible for: wear and tear; any improper installation, use, maintenance or storage; negligence of the owner or user; repair or modification after delivery; failure to follow our instructions or recommendations; or anything else beyond our control. **WE MAKE NO WARRANTIES, EXPRESS OR IMPLIED, OTHER THAN THOSE INCLUDED IN THIS WARRANTY STATEMENT, AND WE DISCLAIM ANY IMPLIED WARRANTY OF MERCHANTABILITY OR FITNESS FOR ANY PARTICULAR PURPOSE.** Further, we will not be responsible for any consequential, incidental or indirect damages (including, but not limited to, any loss of profits) from any cause whatsoever. No person has authority to change this warranty. *Unless otherwise provided herein. Akron Brass industrial electronic components & the Severe-Duty Monitor have a one (1) year warranty. Select Akron Brass handline nozzles and valves carry a ten (10) year warranty. Scene Star Lights carry a (6) year warranty. Weldon products have a two (2) year warranty from date of manufacture (excluding consumable components). Select Weldon LED products carry a five (5) year warranty. Honda products have the manufacturers' warranty and Akron Brass disclaims any warranty in respect of those products.

Parts List Sheet:
115381
D20343



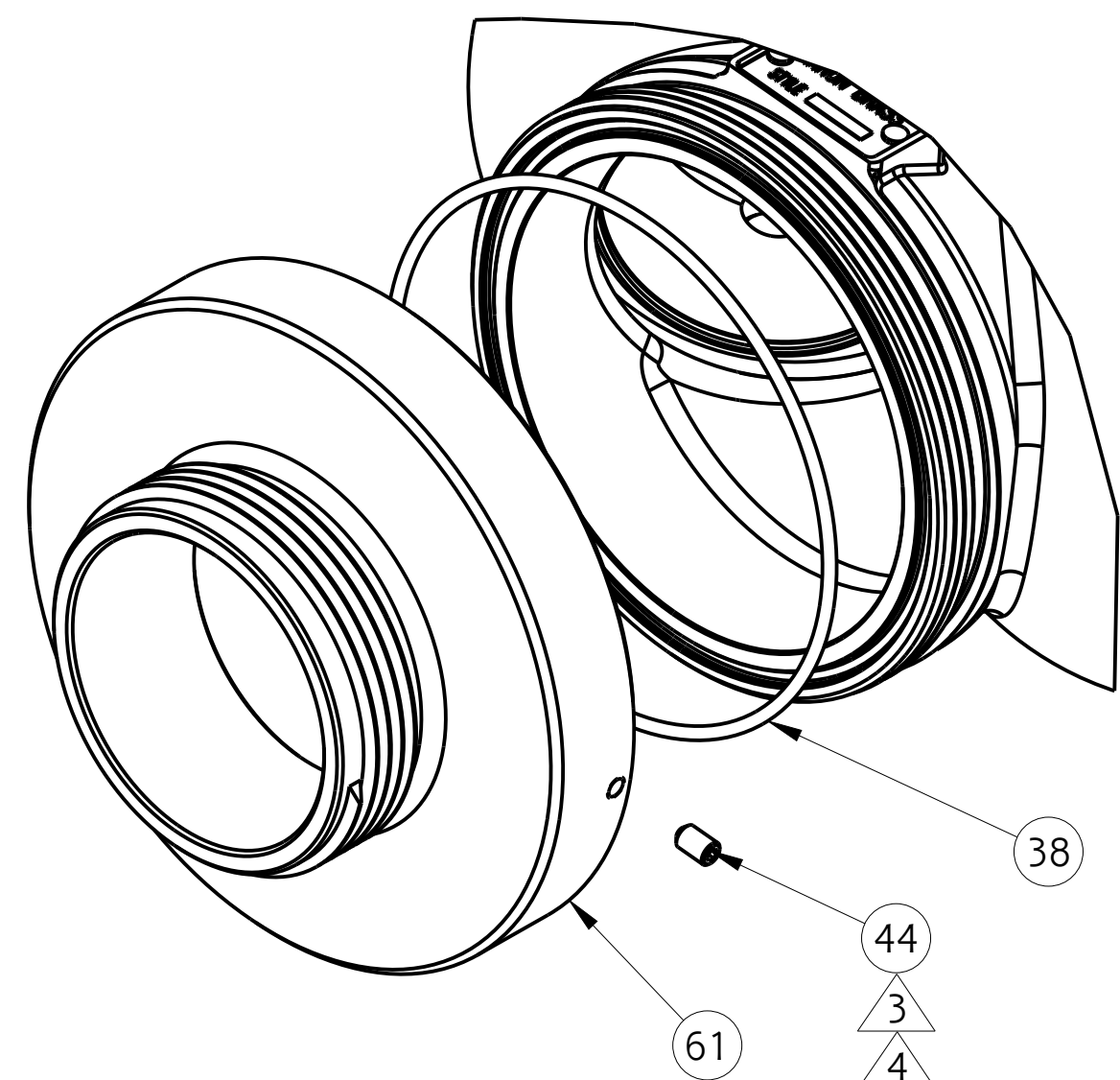
TECHNICAL SERVICE PARTS

STYLE 1583

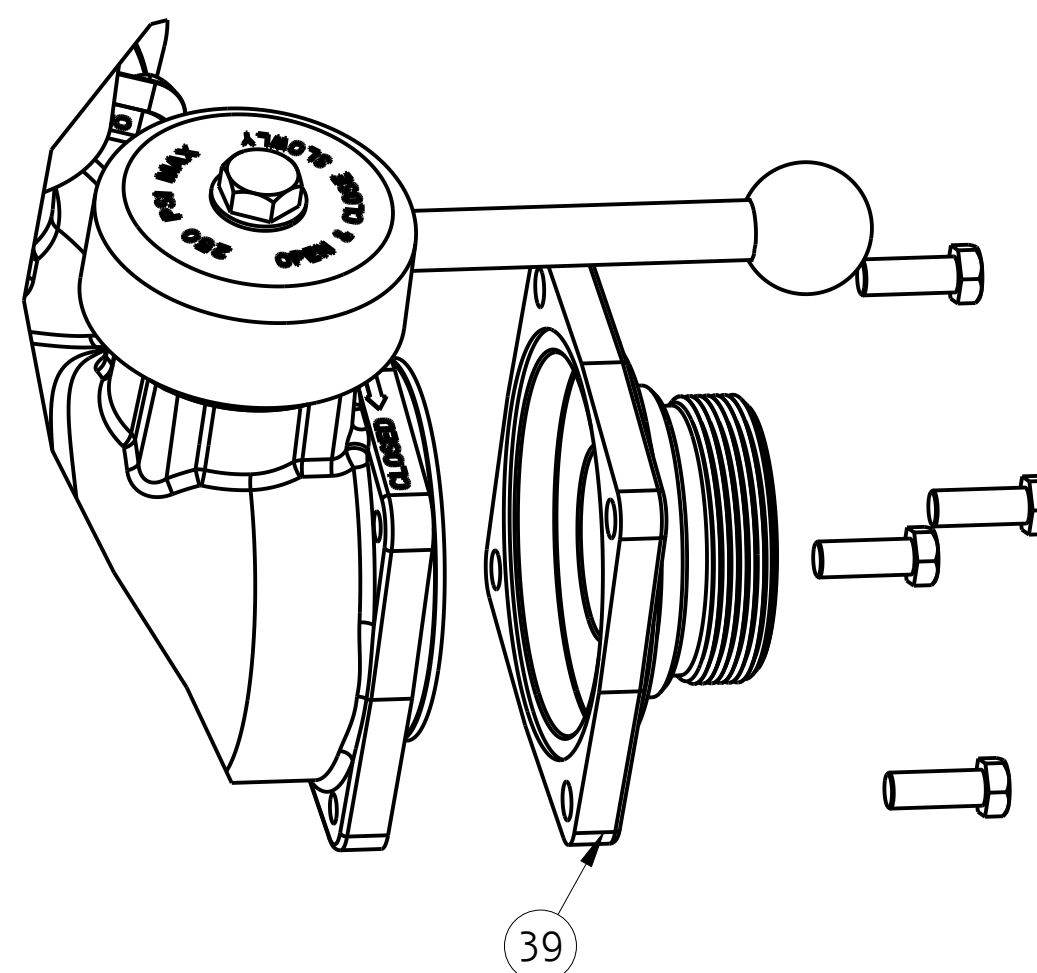
PRODUCT APPARATUS SIAMESE

IF AN ITEM IS NOTED AS "NOT FIELD REPAIRABLE", OR YOU WISH TO RETURN AN ITEM TO AKRON BRASS FOR SERVICE PLEASE GO ONLINE TO, ONLINEREPAIR.AKRONBRASS.COM

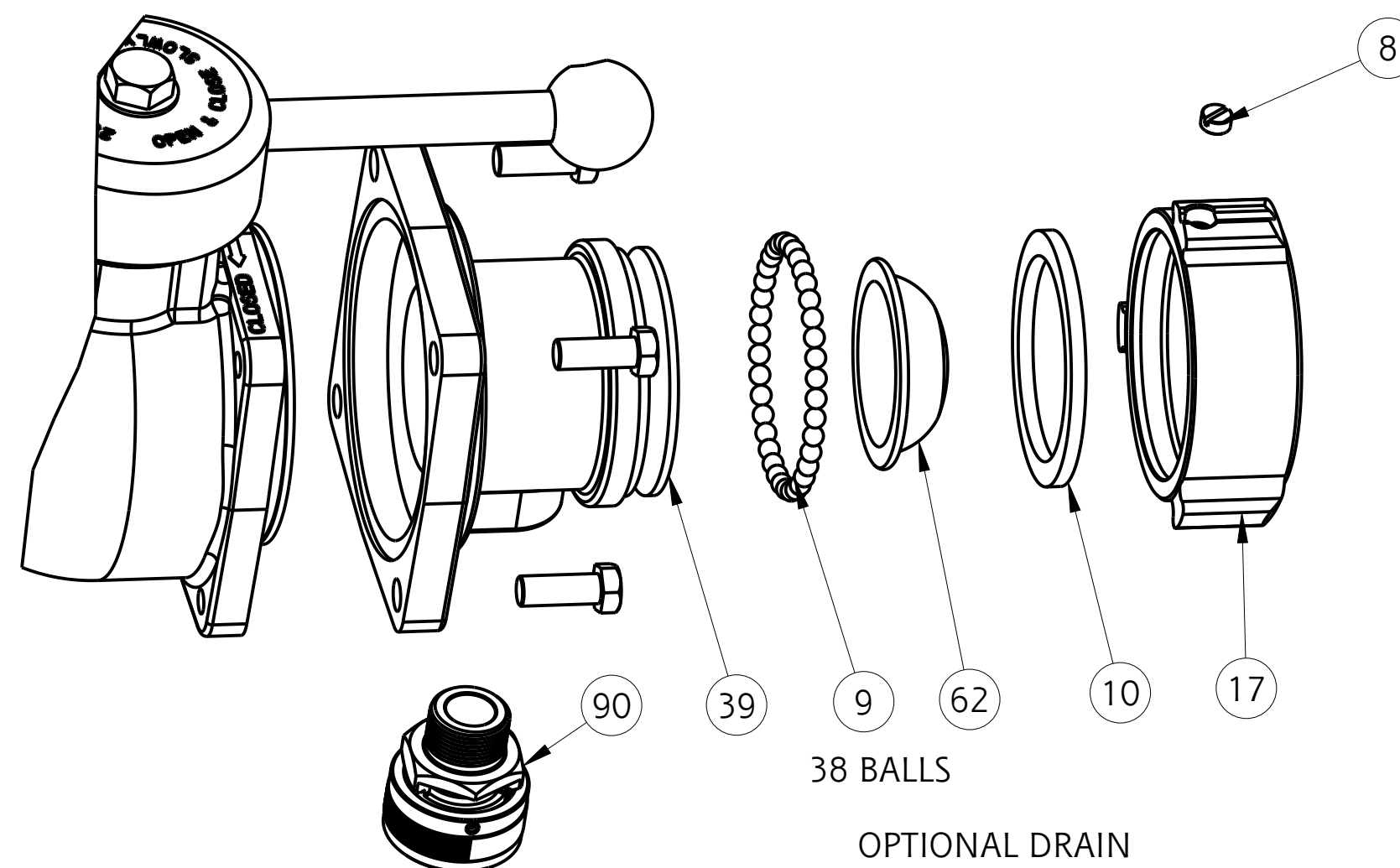
Chg.	Date
13	03-19
14	11-19



OPTIONAL 2.5", 4" MALE INLET ADAPTER



OPTIONAL 2.5" MALE OUTLET ADAPTER



38 BALLS

OPTIONAL DRAIN VALVE ASSEMBLY

ASSEMBLY NOTES:

USE PARKER O-LUBE ON ALL O-RINGS

- ① USE LOCTITE 290.
- ② USE LOCTITE 277 OR PERMABOND HH120.
- ③ USE PERMABOND LM113 OR LOCTITE 222.
- ④ DIMPLE AT ASSEMBLY

PHONE: 330.264.5678 or 800.228.1161 | FAX: 330.264.2944 or 800.531.7335 | www.akronbrass.com

WARRANTY AND DISCLAIMER*: We warrant Akron Brass products for a period of five (5) years* after purchase against defects in materials or workmanship. Akron Brass will repair or replace product which fails to satisfy this warranty. Repair or replacement shall be at the discretion of Akron Brass. Products must be promptly returned to Akron Brass for warranty service. We will not be responsible for: wear and tear; any improper installation, use, maintenance or storage; negligence of the owner or user; repair or modification after delivery; failure to follow our instructions or recommendations; or anything else beyond our control. WE MAKE NO WARRANTIES, EXPRESS OR IMPLIED, OTHER THAN THOSE INCLUDED IN THIS WARRANTY STATEMENT, AND WE DISCLAIM ANY IMPLIED WARRANTY OF MERCHANTABILITY OR FITNESS FOR ANY PARTICULAR PURPOSE. Further, we will not be responsible for any consequential, incidental or indirect damages (including, but not limited to, any loss of profits) from any cause whatsoever. No person has authority to change this warranty. *Unless otherwise provided herein. Akron Brass industrial electronic components & the Severe-Duty Monitor have a one (1) year warranty. Select Akron Brass handline nozzles and valves carry a ten (10) year warranty. Scene Star Lights carry a (6) year warranty. Weldon products have a two (2) year warranty from date of manufacture (excluding consumable components). Select Weldon LED products carry a five (5) year warranty. Honda products have the manufacturers' warranty and Akron Brass disclaims any warranty in respect of those products.

Parts List Sheet:

115381



TECHNICAL SERVICE PARTS

STYLE 1583

PRODUCT APPARATUS SIAMESE

IF AN ITEM IS NOTED AS "NOT FIELD REPAIRABLE", OR YOU WISH TO RETURN AN ITEM TO AKRON BRASS FOR SERVICE PLEASE GO ONLINE TO, ONLINEREPAIR.AKRONBRASS.COM

Chg.	Date
13	03-19
14	11-19

ITEM		DESCRIPTION	PART NUMBER	QTY
8	A	SWIVEL PLUG	-	3
9	A	BALL BEARING BRASS 1/4" DIA.	-	114
9	A	BALL BEARING BRASS 1/4" DIA. (FOR 6" SWIVEL)	-	164
10		GASKET 2-1/2"	717043	3
13	D	WYE HYDRANT 2.5 BODY	102173	1
17	C	SWIVEL ROCKER LUG 2.5" (NH)	101420	3
31	B	SEAT	769156	2
32	B	O-RING 2-240	757017	2
33	B	O-RING 2-236	757035	2
34		RETAINING RING	102176	2
35	B	O-RING 2-242	757073	2
36		SEAT HOUSING	102174	2
37	B	BALL CELCON	703429	2
38		O-RING 2-156	757080	1
39		ADPT SWVL FEMALE 2-1/2"	102103	2
40		SCREW HX HD 3/8-16X1 ST STL	761016	8
41		HANDLE STOP PLATE	742073	2
42		RETAINING PLATE	742089	2
43		SCREW SOC HD CAP 10-24 X 5/8" ST STL	765028	8
44		SCREW SOC HD SET CUP PT 10-24 X 5/16"	765040	1
45		INLET ADAPTER STORZ	102145	1
45	D	INLET ADAPTER 2-1/2"	102164	1
45	D	INLET ADAPTER 3"	102165	1
45	D	INLET ADAPTER 3-1/2"	102166	1
45	D	INLET ADAPTER 4"	102167	1
45	D	INLET ADAPTER 4-1/2"	109709	1
45	D	INLET ADAPTER 5"	109710	1
45	D, E	INLET ADAPTER 6"	109711	1
46		NAIL GRIP	736052	2
47		ID TAG	773168	1
48		HANDLE HUB	721278	2
49		TRUNNION HANDLE	102178	2
50		SPRING	768210	2
51		RETAINING RING	758154	2
52		O-RING 2-214	757010	2
53		TRUNNION BALL	102179	2
54	B	O-RING 2-111	757198	2
55		TRUNNION	102177	2
56		HANDLE COVER TS	707369	2

ITEM		DESCRIPTION	PART NUMBER	QTY
57		SCREW HEX HDCP 1/2-13 X 1 ST STL	761045	2
58		ROD HANDLE 7"	109193	2
59		BALL HANDLE	703080	2
60		O-RING 240-0	757284	2
61	C	ADAPTER MALE 2-1/2" (NH)	102158	1
61	C	ADAPTER MALE 3" (NH)	102161	1
61	C	ADAPTER MALE 3-1/2" (NH)	102170	1
61	C	ADAPTER MALE 4" (NH)	102159	1
61	C	ADAPTER MALE 4.5" (NH)	102160	1
61	C	ADAPTER MALE 5" (NH)	102162	1
61	C	ADAPTER MALE 6" (NH)	102163	1
62		SCREEN STRAINER 2.50"	769027	2
63		O-RING 2-241	757210	1
64	C	SWIVEL 2-1/2" LONG HANDLE (NH)	104046	1
64	C	SWIVEL 3" LONG HANDLE (NH)	104047	1
64	C	SWIVEL 3-1/2" LONG HANDLE (NH)	104048	1
64	C	SWIVEL 4" LONG HANDLE (NH)	104049	1
64	C	SWIVEL 4-1/2" LONG HANDLE (NH)	104050	1
64	C	SWIVEL 5" LONG HANDLE (NH)	104051	1
64	C, E	SWIVEL 6" LONG HANDLE (NH)	104053	1
64	C	SWIVEL 3" ROCKERLUG (NH)	104013	1
64	C	SWIVEL 3-1/2" ROCKERLUG (NH)	104014	1
64	C	SWIVEL 4" ROCKERLUG (NH)	104015	1
64	C	SWIVEL 4-1/2" ROCKERLUG (NH)	104016	1
64	C	SWIVEL 5" ROCKERLUG (NH)	104017	1
64	C, E	SWIVEL 6" ROCKERLUG (NH)	104019	1
65		SEAL 4" STORZ	769333	1
65		SEAL 5" STORZ	769332	1
66		STORZ FITTING 4"	107070	1
66		STORZ FITTING 5"	107071	1
69		SWIVEL GASKET 2-1/2"	717043	1
69		SWIVEL GASKET 3"	714022	1
69		SWIVEL GASKET 3-1/2"	714023	1
69		SWIVEL GASKET 4"	714024	1
69		SWIVEL GASKET 4-1/2"	714025	1
69		SWIVEL GASKET 5"	714026	1
69		SWIVEL GASKET 6"	714028	1
71		ADAPTER GASKET	714187	1
72		STORZ ADAPTER 4"	102144	1
72		STORZ ADAPTER 5"	102149	1
84		WASHER	784086	2
90		DRAIN VALVE	00040001	2
91		SET SCREW CUP POINT 1/4 - 20 X 1/4 ST STL	765002	1

PHONE: 330.264.5678 or 800.228.1161 | FAX: 330.264.2944 or 800.531.7335 | www.akronbrass.com

Parts List Sheet:

115381

WARRANTY AND DISCLAIMER: We warrant Akron Brass products for a period of five (5) years* after purchase against defects in materials or workmanship. Akron Brass will repair or replace product which fails to satisfy this warranty. Repair or replacement shall be at the discretion of Akron Brass. Products must be promptly returned to Akron Brass for warranty service. We will not be responsible for: wear and tear; any improper installation, use, maintenance or storage; negligence of the owner or user; repair or modification after delivery; failure to follow our instructions or recommendations; or anything else beyond our control. WE MAKE NO WARRANTIES, EXPRESS OR IMPLIED, OTHER THAN THOSE INCLUDED IN THIS WARRANTY STATEMENT, AND WE DISCLAIM ANY IMPLIED WARRANTY OF MERCHANTABILITY OR FITNESS FOR ANY PARTICULAR PURPOSE. Further, we will not be responsible for any consequential, incidental or indirect damages (including, but not limited to, any loss of profits) from any cause whatsoever. No person has authority to change this warranty. *Unless otherwise provided herein. Akron Brass industrial electronic components & the Severe-Duty Monitor have a one (1) year warranty. Select Akron Brass handline nozzles and valves carry a ten (10) year warranty. Scene Star Lights carry a (6) year warranty. Weldon products have a two (2) year warranty from date of manufacture (excluding consumable components). Select Weldon LED products carry a five (5) year warranty. Honda products have the manufacturers' warranty and Akron Brass disclaims any warranty in respect of those products.

© 2016 Akron Brass Company. All rights reserved. No portion of this can be reproduced without the express written consent of the Akron Brass Company.

D20343



TECHNICAL SERVICE PARTS
 STYLE 1583
 PRODUCT APPARATUS SIAMESE

IF AN ITEM IS NOTED AS "NOT FIELD REPAIRABLE", OR YOU WISH TO RETURN AN ITEM TO AKRON BRASS FOR SERVICE PLEASE GO ONLINE TO, **ONLINEREPAIR.AKRONBRASS.COM**

Chg.	Date
13	03-19
14	11-19

- A: KIT OF 50 BALLS: 109041
- B: PARTS INCLUDED IN FIELD SERVICE KIT #9128 (2 REQUIRED).
- C: FOR OTHER THREADS ORDER BY DESCRIPTION AND THREAD SIZE (ODM AND TPI) OR AKRON THREAD CODE.
- D: PART NUMBER APPLIES TO ADAPTERS WHICH CONNECT TO THE BODY(#13) WITH A 10 TPI THREAD. FOR UNITS WITH A 16 TPI THREAD THE BODY (#13) MUST ALSO BE REPLACED.
- E: WHEN ORDERING EITHER 6" SWIVEL OR 6" SWIVEL ADAPTER, BOTH PARTS MUST BE REPLACED.

PHONE: 330.264.5678 or 800.228.1161 | FAX: 330.264.2944 or 800.531.7335 | www.akronbrass.com

WARRANTY AND DISCLAIMER*: We warrant Akron Brass products for a period of five (5) years* after purchase against defects in materials or workmanship. Akron Brass will repair or replace product which fails to satisfy this warranty. Repair or replacement shall be at the discretion of Akron Brass. Products must be promptly returned to Akron Brass for warranty service. We will not be responsible for: wear and tear; any improper installation, use, maintenance or storage; negligence of the owner or user; repair or modification after delivery; failure to follow our instructions or recommendations; or anything else beyond our control. **WE MAKE NO WARRANTIES, EXPRESS OR IMPLIED, OTHER THAN THOSE INCLUDED IN THIS WARRANTY STATEMENT, AND WE DISCLAIM ANY IMPLIED WARRANTY OF MERCHANTABILITY OR FITNESS FOR ANY PARTICULAR PURPOSE.** Further, we will not be responsible for any consequential, incidental or indirect damages (including, but not limited to, any loss of profits) from any cause whatsoever. No person has authority to change this warranty. *Unless otherwise provided herein. Akron Brass industrial electronic components & the Severe-Duty Monitor have a one (1) year warranty. Select Akron Brass handline nozzles and valves carry a ten (10) year warranty. Scene Star Lights carry a (6) year warranty. Weldon products have a two (2) year warranty from date of manufacture (excluding consumable components). Select Weldon LED products carry a five (5) year warranty. Honda products have the manufacturers' warranty and Akron Brass disclaims any warranty in respect of those products.
 © 2016 Akron Brass Company. All rights reserved. No portion of this can be reproduced without the express written consent of the Akron Brass Company.

Parts List Sheet:

115381