



TECHNICAL SERVICE PARTS

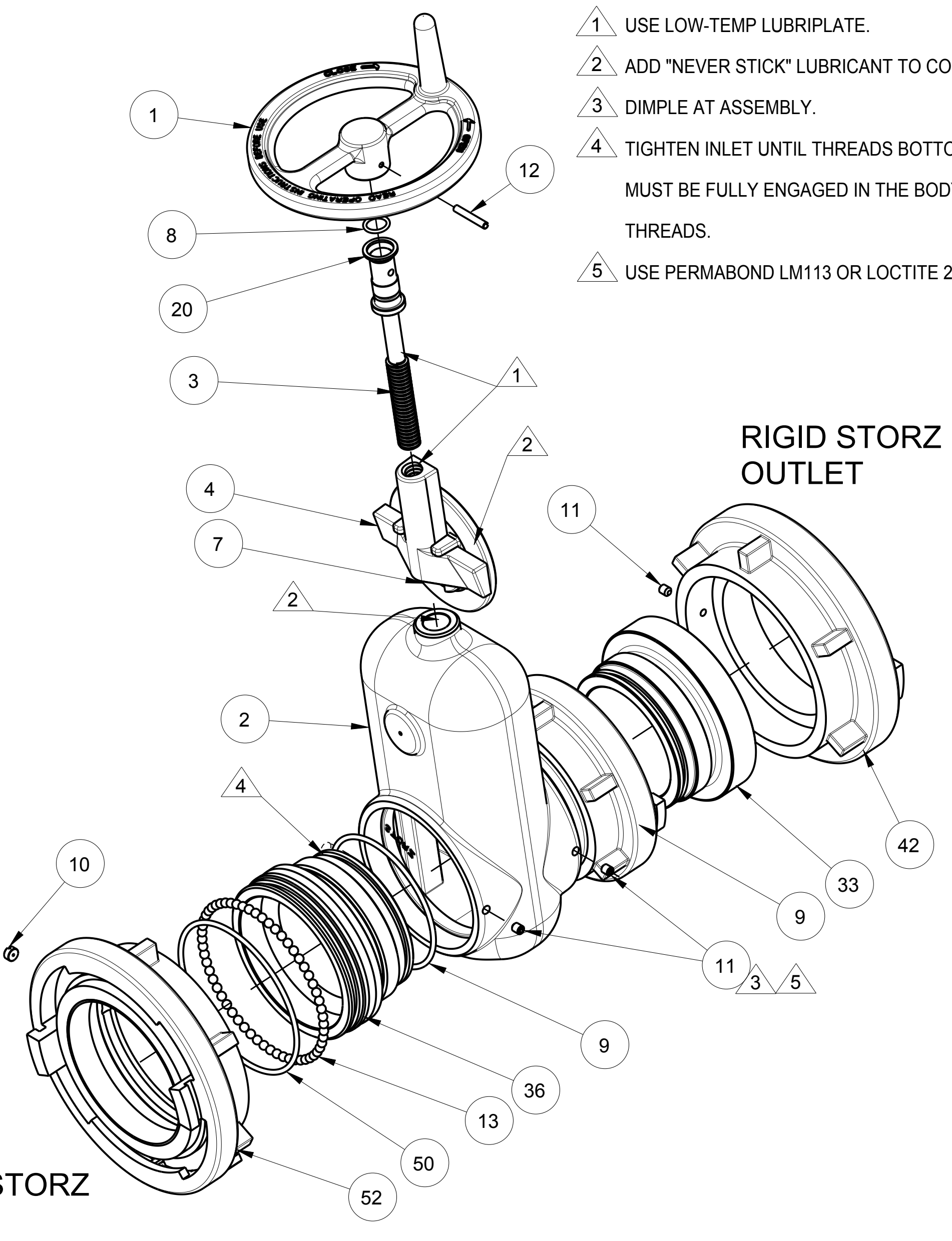
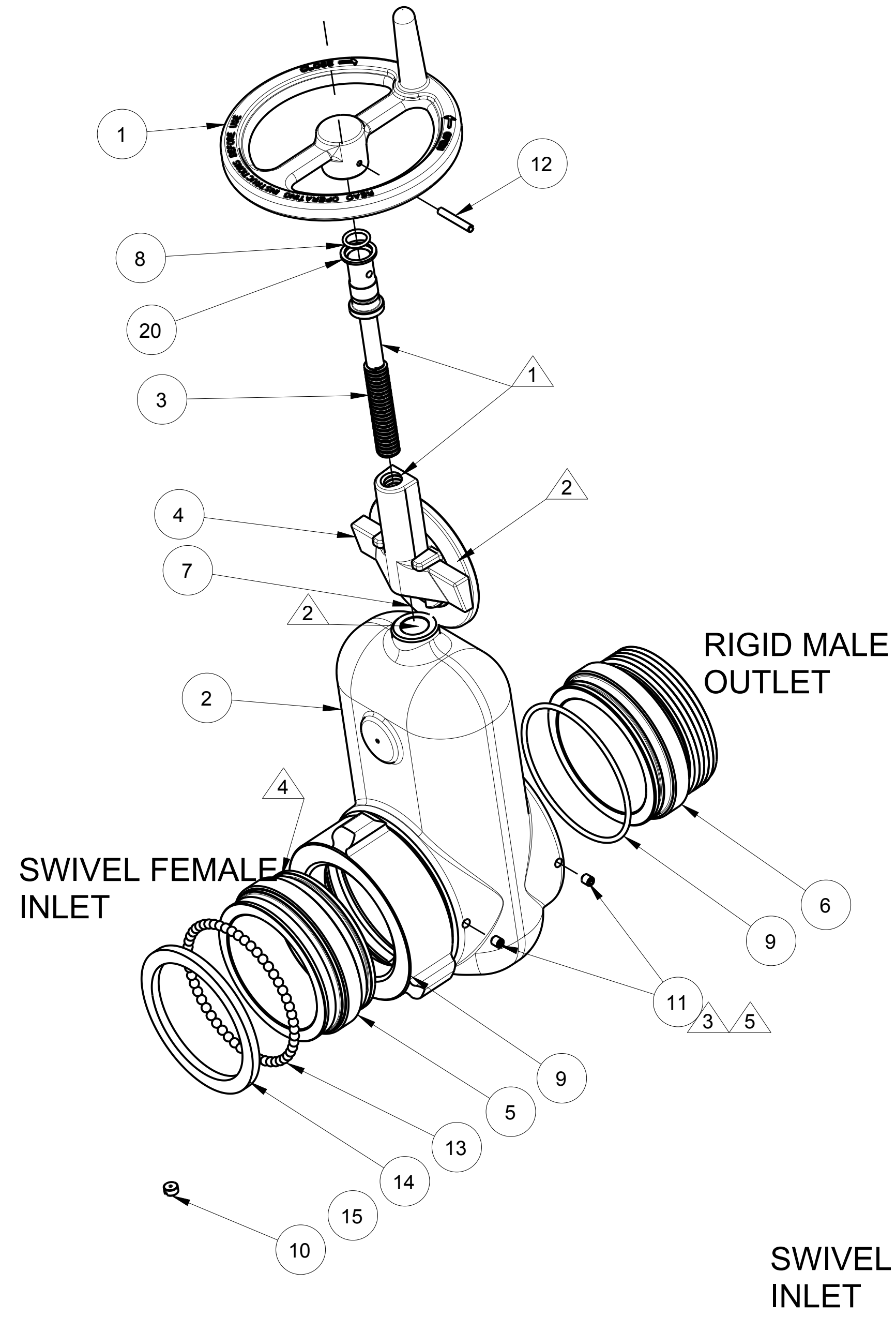
STYLE 2286
PRODUCT 3.5" GATE VALVE

IF AN ITEM IS NOTED AS "NOT FIELD REPAIRABLE", OR YOU WISH TO RETURN AN ITEM TO AKRON BRASS FOR SERVICE PLEASE GO ONLINE TO, ONLINEREPAIR.AKRONBRASS.COM

Chg.	Date
04	08-16
05	08-18

ASSEMBLY NOTES:
USE PARKER O-LUBE ON ALL O-RINGS AND MATING SURFACES UNLESS OTHERWISE NOTED.

- ▲ 1 USE LOW-TEMP LUBRIPLATE.
- ▲ 2 ADD "NEVER STICK" LUBRICANT TO CONTACT POINTS.
- ▲ 3 DIMPLE AT ASSEMBLY.
- ▲ 4 TIGHTEN INLET UNTIL THREADS BOTTOM OUT. THREADS MUST BE FULLY ENGAGED IN THE BODY WITH NO VISIBLE THREADS.
- ▲ 5 USE PERMABOND LM113 OR LOCTITE 222.



PHONE: 330.264.5678 or 800.228.1161 | FAX: 330.264.2944 or 800.531.7335 | www.akronbrass.com

WARRANTY AND DISCLAIMER*: We warrant Akron Brass products for a period of five (5) years* after purchase against defects in materials or workmanship. Akron Brass will repair or replace product which fails to satisfy this warranty. Repair or replacement shall be at the discretion of Akron Brass. Products must be promptly returned to Akron Brass for warranty service. We will not be responsible for: wear and tear; any improper installation, use, maintenance or storage; negligence of the owner or user; repair or modification after delivery; failure to follow our instructions or recommendations; or anything else beyond our control. WE MAKE NO WARRANTIES, EXPRESS OR IMPLIED, OTHER THAN THOSE INCLUDED IN THIS WARRANTY STATEMENT, AND WE DISCLAIM ANY IMPLIED WARRANTY OF MERCHANTABILITY OR FITNESS FOR ANY PARTICULAR PURPOSE. Further, we will not be responsible for any consequential, incidental or indirect damages (including, but not limited to, any loss of profits) from any cause whatsoever. No person has authority to change this warranty. *Unless otherwise provided herein. Akron Brass industrial electronic components & the Severe-Duty Monitor have a one (1) year warranty. Select Akron Brass handline nozzles and valves carry a ten (10) year warranty. Scene Star Lights carry a (6) year warranty. Weldon products have a two (2) year warranty from date of manufacture (excluding consumable components). Select Weldon LED products carry a five (5) year warranty. Honda products have the manufacturers' warranty and Akron Brass disclaims any warranty in respect of those products.

© 2016 Akron Brass Company. All rights reserved. No portion of this can be reproduced without the express written consent of the Akron Brass Company.

Parts List Sheet:
119827



TECHNICAL SERVICE PARTS

STYLE 2286

PRODUCT 3.5" GATE VALVE

IF AN ITEM IS NOTED AS "NOT FIELD REPAIRABLE", OR YOU WISH TO RETURN AN ITEM TO AKRON BRASS FOR SERVICE PLEASE GO ONLINE TO, **ONLINEREPAIR.AKRONBRASS.COM**

Chg.	Date
04	08-16
05	08-18

Find	Description	Item	QTY
1	HANDWHEEL	118544	1
2	BODY	118546	1
3	STEM	768501	1
4	NUT WING	118536	1
5	ADAPTER SWIVEL 3"	118539	1
5	ADAPTER SWIVEL 3-1/2"	118538	1
5	ADAPTER SWIVEL 4"	118543	1
5	ADAPTER SWIVEL 4-1/2"	118646	1
5	ADAPTER SWIVEL 5"	118648	1
6	ADAPTER MALE 3"NH **	118540	1
6	ADAPTER MALE 3-1/2"NH **	118541	1
6	ADAPTER MALE 4"NH **	118542	1
6	ADAPTER MALE 4"NPSH **	119534	1
6	ADAPTER MALE 4"NH **	118647	1
6	ADAPTER MALE 5"NH **	118649	1
7	PLATE	118537	1
8	O-RING 2-113	757008	1
9	O-RING 2-242	757251	2
10	PLUG SWIVEL	742023	1
11	SCREW SOCKET SET NYLOCK 1/4-20 x 5/16"	766015	2-3
12	PIN ROLL	744060	1
13	BALL BRASS 1/4"OD (3" SWIVEL)	703017*	47
13	BALL BRASS 1/4"OD (3-1/2" SWIVEL)	703017*	53
13	BALL BRASS 1/4"OD (4" SWIVEL)	703017*	58
13	BALL BRASS 1/4"OD (4-1/2" SWIVEL)	703017*	69
13	BALL BRASS 1/4"OD (5" SWIVEL)	703017*	72
13	BALL BRASS 1/4"OD (4" STORZ)	703017*	53
13	BALL BRASS 1/4"OD (5" STORZ)	703017*	62
14	GASKET 3"	714022	1
14	GASKET 3-1/2"	714023	1
14	GASKET 4"	714024	1
14	GASKET 4-1/2"	714025	1
14	GASKET 5"	714026	1
15	SWIVEL 3"NH **	104013	1
15	SWIVEL 3-1/2"NH **	104014	1
15	SWIVEL 4"NH **	104015	1
15	SWIVEL 4"NPSH **	104022	1
15	SWIVEL 4-1/2"NH **	104016	1
15	SWIVEL 5"NH **	104017	1

Find	Description	Item	QTY
20	SHIM	768500	1
33	ADAPTER RIGID STORZ OUTLET 4"	118645	1
33	ADAPTER RIGID STORZ OUTLET 5"	118650	1
36	SWIVEL STORZ INLET ADAPTER 4"	118644	1
36	SWIVEL STORZ INLET ADAPTER 5"	118651	1
42	RIGID STORZ HEAD 4"	107070	1
42	RIGID STORZ HEAD 5"	107071	1
50	O-RING 2-243	757337	1
50	O-RING 2-247	757078	1
52	SWIVEL STORZ HEAD 4"	713205	1
52	SWIVEL STORZ HEAD 5"	713206	1

* KIT OF 50 BALLS: 109041

** FOR OTHER THREADS ORDER BY DESCRIPTION AND THREAD SIZE (ODM & TPI) OR BY THREAD CODE.

PHONE: 330.264.5678 or 800.228.1161 | FAX: 330.264.2944 or 800.531.7335 | www.akronbrass.com

Parts List Sheet:

119827

WARRANTY AND DISCLAIMER*: We warrant Akron Brass products for a period of five (5) years* after purchase against defects in materials or workmanship. Akron Brass will repair or replace product which fails to satisfy this warranty. Repair or replacement shall be at the discretion of Akron Brass. Products must be promptly returned to Akron Brass for warranty service. We will not be responsible for: wear and tear; any improper installation, use, maintenance or storage; negligence of the owner or user; repair or modification after delivery; failure to follow our instructions or recommendations; or anything else beyond our control. WE MAKE NO WARRANTIES, EXPRESS OR IMPLIED, OTHER THAN THOSE INCLUDED IN THIS WARRANTY STATEMENT, AND WE DISCLAIM ANY IMPLIED WARRANTY OF MERCHANTABILITY OR FITNESS FOR ANY PARTICULAR PURPOSE. Further, we will not be responsible for any consequential, incidental or indirect damages (including, but not limited to, any loss of profits) from any cause whatsoever. No person has authority to change this warranty. *Unless otherwise provided herein. Akron Brass industrial electronic components & the Severe-Duty Monitor have a one (1) year warranty. Select Akron Brass handline nozzles and valves carry a ten (10) year warranty. Scene Star Lights carry a (6) year warranty. Weldon products have a two (2) year warranty from date of manufacture (excluding consumable components). Select Weldon LED products carry a five (5) year warranty. Honda products have the manufacturers' warranty and Akron Brass disclaims any warranty in respect of those products.

© 2016 Akron Brass Company. All rights reserved. No portion of this can be reproduced without the express written consent of the Akron Brass Company.