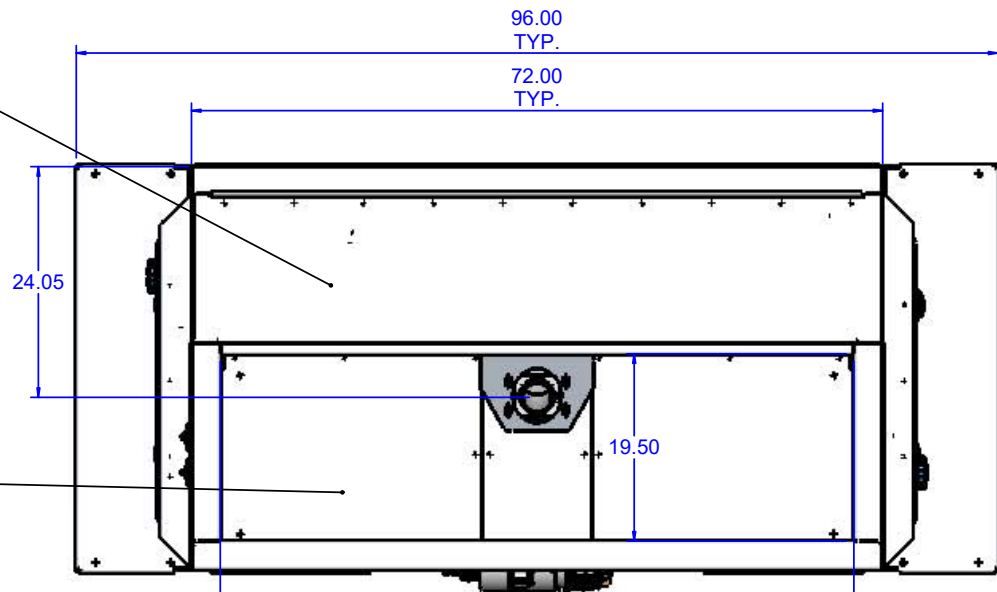


IF IN DOUBT ASK

PROJECTION: 

UNCLASSIFIED//FOR OFFICIAL USE ONLY (U//FOUO) This drawing is controlled by the U.S. Government and authorized for export only to the country of ultimate destination for use by the ultimate consignee or end-user (where identified). This may not be re-exported, transferred, or otherwise disposed of to any other country or to any person other than the authorized ultimate consignee or end-user, either in their original form or after being incorporated into other items, without first obtaining approval from the U.S. Government or an alternate authority in U.S. and may require the user, authorized consignee, recipient, reseller and transfer (in-country) designated under the License Required (LR). This drawing is controlled and used under Intellectual Property of IDEX and its subsidiaries, and may not be reproduced or modified without the express written permission of IDEX Corp.

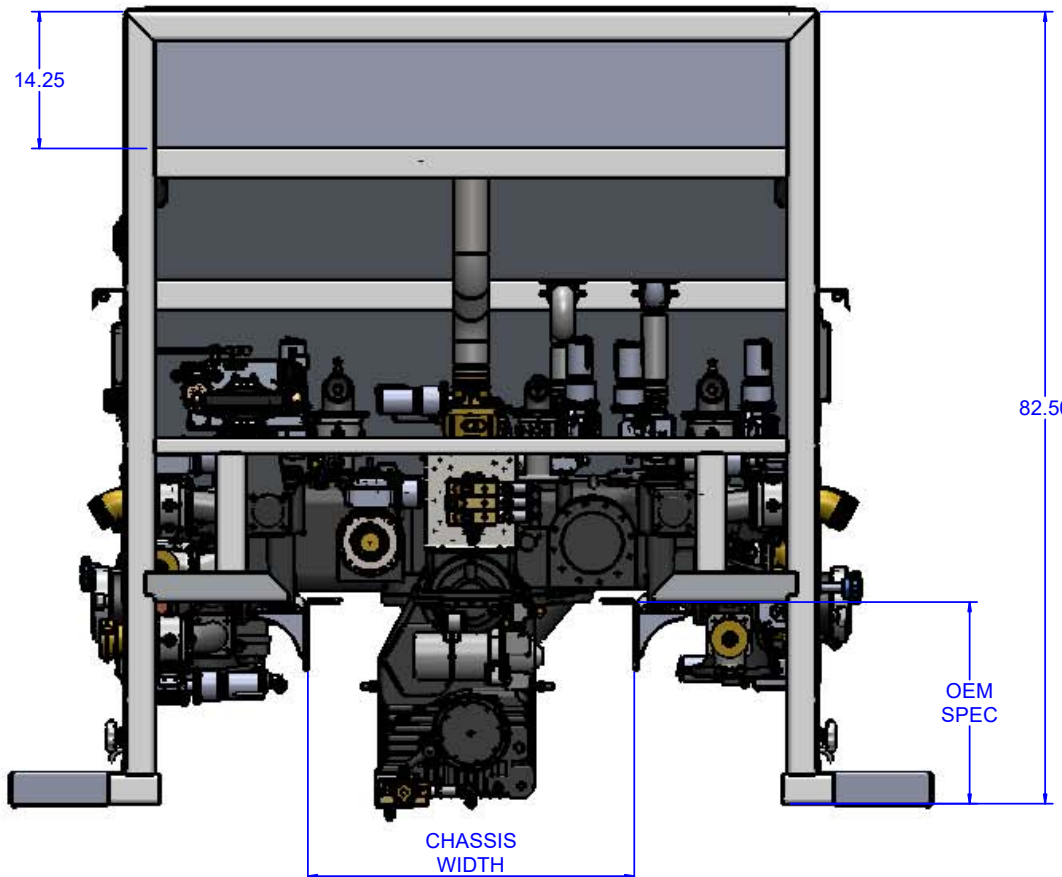
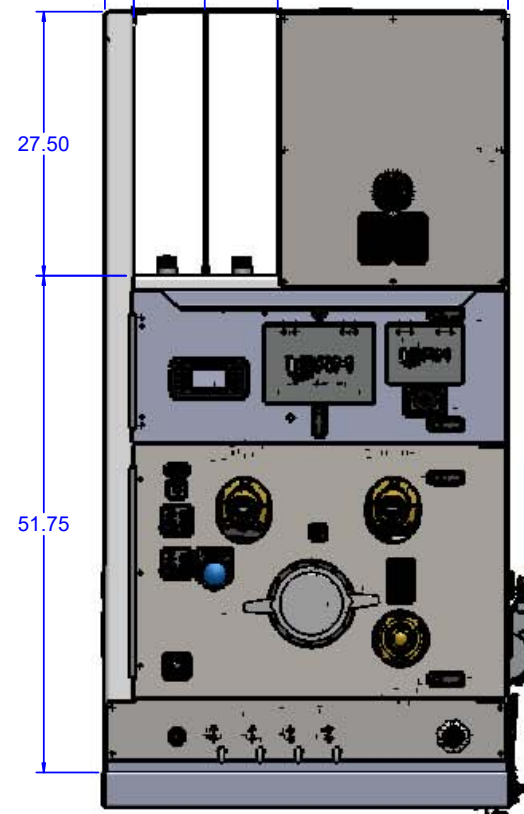
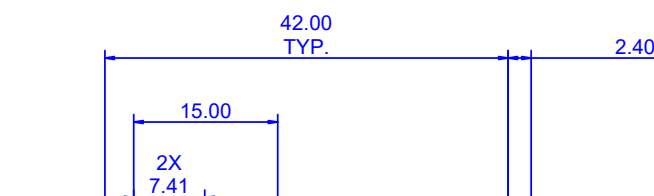
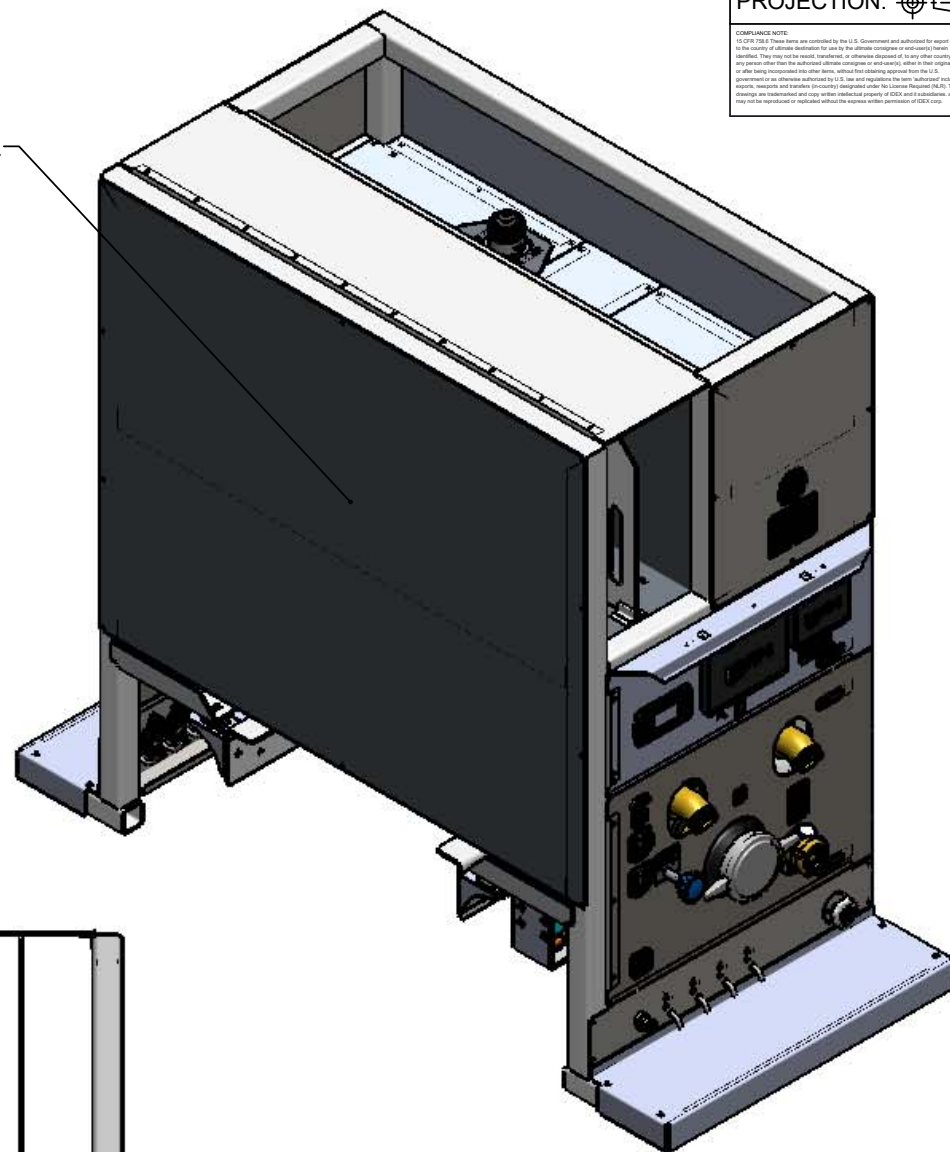
HINGED CROSSLAY COVER



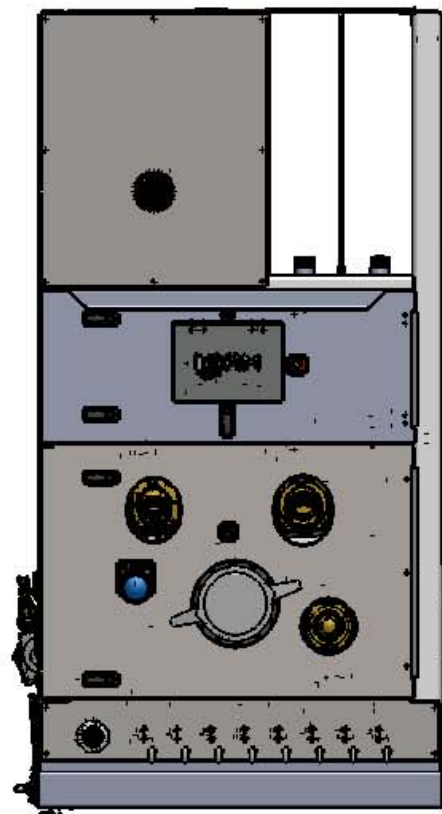
REMOVABLE DUNNAGE FLOOR



REMOVABLE FRONT WALL



OEM SPEC



UNLESS OTHERWISE SPECIFIED DIMENSIONS ARE IN INCHES TOLERANCE FOR INCHES DIMENSIONS:
X: ±0.04
X.X: ±0.02
X.XX: ±0.01
X.XXX: ±0.005
ANGLES: ±0.25°
SURFACE TEXTURE IN µm Ra
REMOVE ALL BURRS AND SHARP EDGES, 0.01MAX

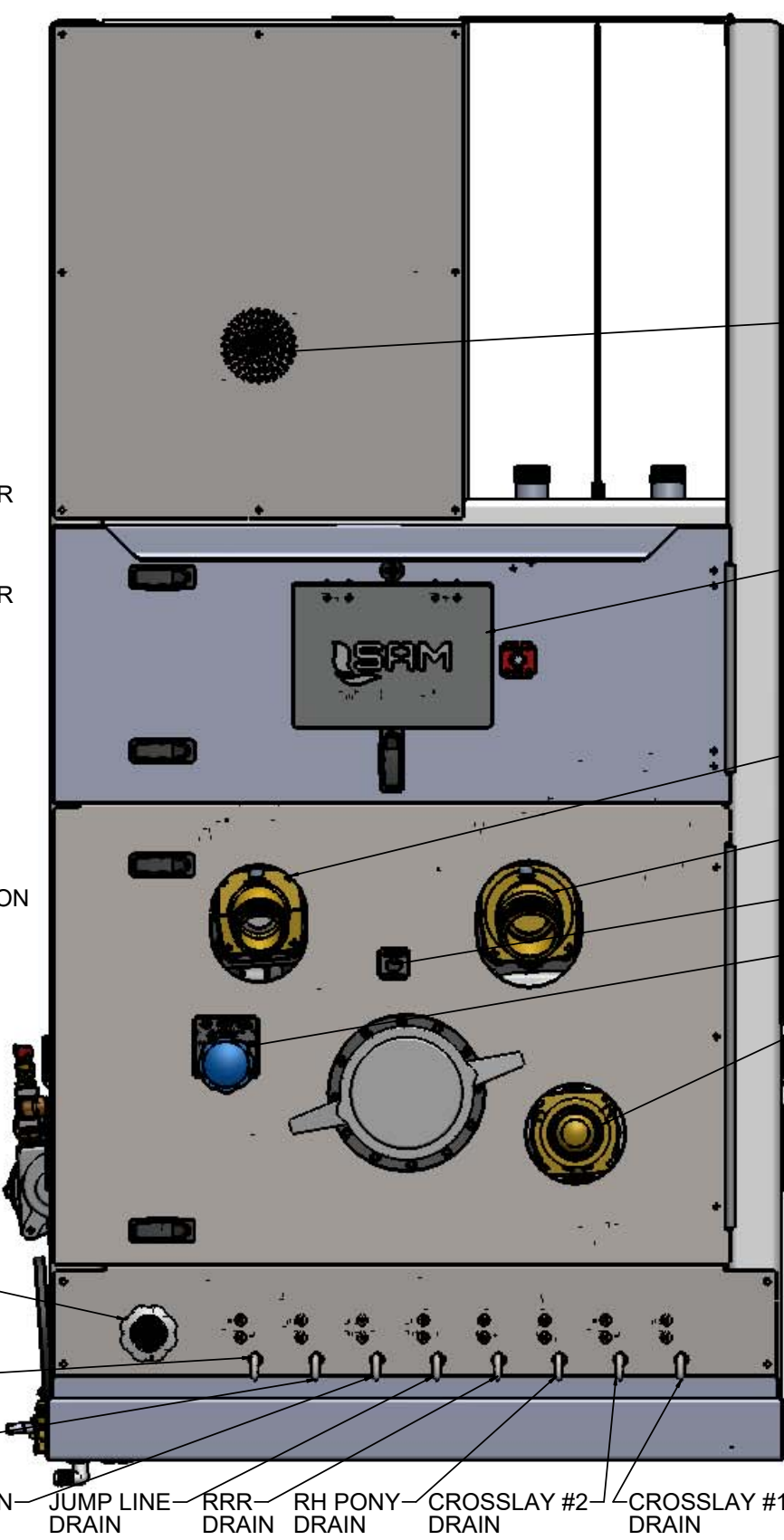
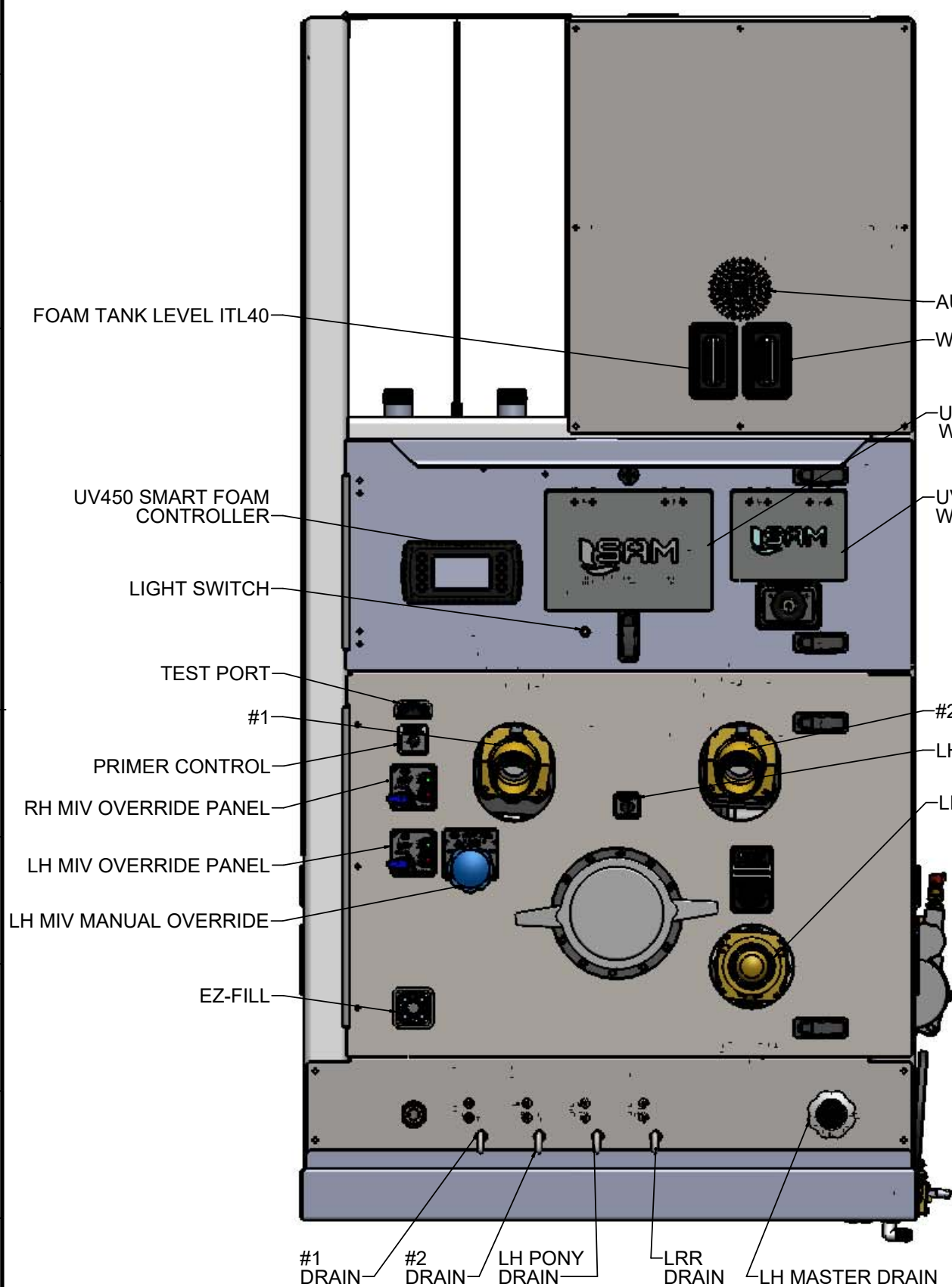
FSG OF IDEX CORPORATION	
MATERIAL	TITLE
MADE FROM	
FINISH	
PROJECT	

GODIVA <i>Class1</i>							
QMAX SAM SM MODULE							
DRAWN	KTN	SIZE	D	DRAWING NUMBER	Master SM Q 72 X 42_SAM	REV	2
APPROVED	JLS	SCALE	1:10			SHEET	1 OF 4
DATE	13JAN2020						

REVISIONS						
ECN	REV.	ZONE	CHANGED FROM	BY	DATE	APVD
	1		PRELIMINARY	KTN	10JAN2020	JLS
	1		ADDED UV1100 & UV800 SCREEN PROTECTORS	KTN	10MAR2020	JLS

COPYRIGHT © NOT TO BE REPRODUCED OR USED TO MAKE OTHER DRAWINGS OR MACHINERY

UNCLASSIFIED//FOR OFFICIAL USE ONLY (U//FOUO) This document is controlled by the U.S. Government and authorized for export only to the country of origin designated for sale by the Arms Control and International Security Administration. This may not be reprinted, translated, or otherwise disposed of in any other country or in any other form than the published original copy or any other form without the express written permission of the U.S. Government. This document is controlled by the U.S. Government and authorized for export only to the country of origin designated for sale by the Arms Control and International Security Administration. This may not be reprinted, translated, or otherwise disposed of in any other country or in any other form than the published original copy or any other form without the express written permission of the U.S. Government.







VALVE	STANDARD SIZE
#1	2.5"
#2	2.5"
#3	3.0"
#4	2.5"
LRR	2.5"
RRR	2.5"
HOSE REEL	2.0"
JUMP LINE	2.0"
CROSSLAYS	2.0"
TANK FILL	2.0"
TANK-TO-PUMP	3.0"
DECK GUN	3.0"
PONY	2.5"
MASTER INTAKE	6.0"

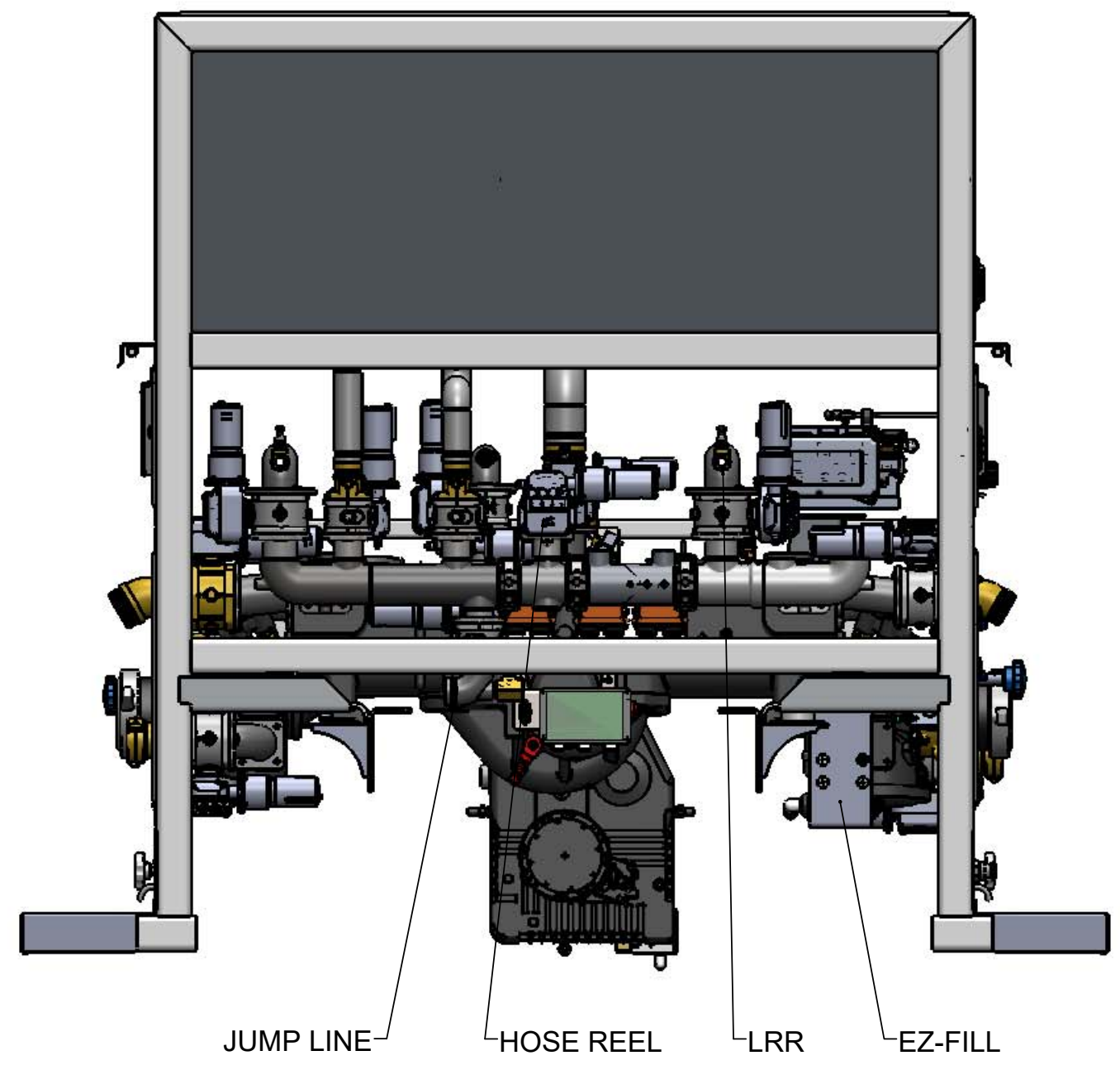
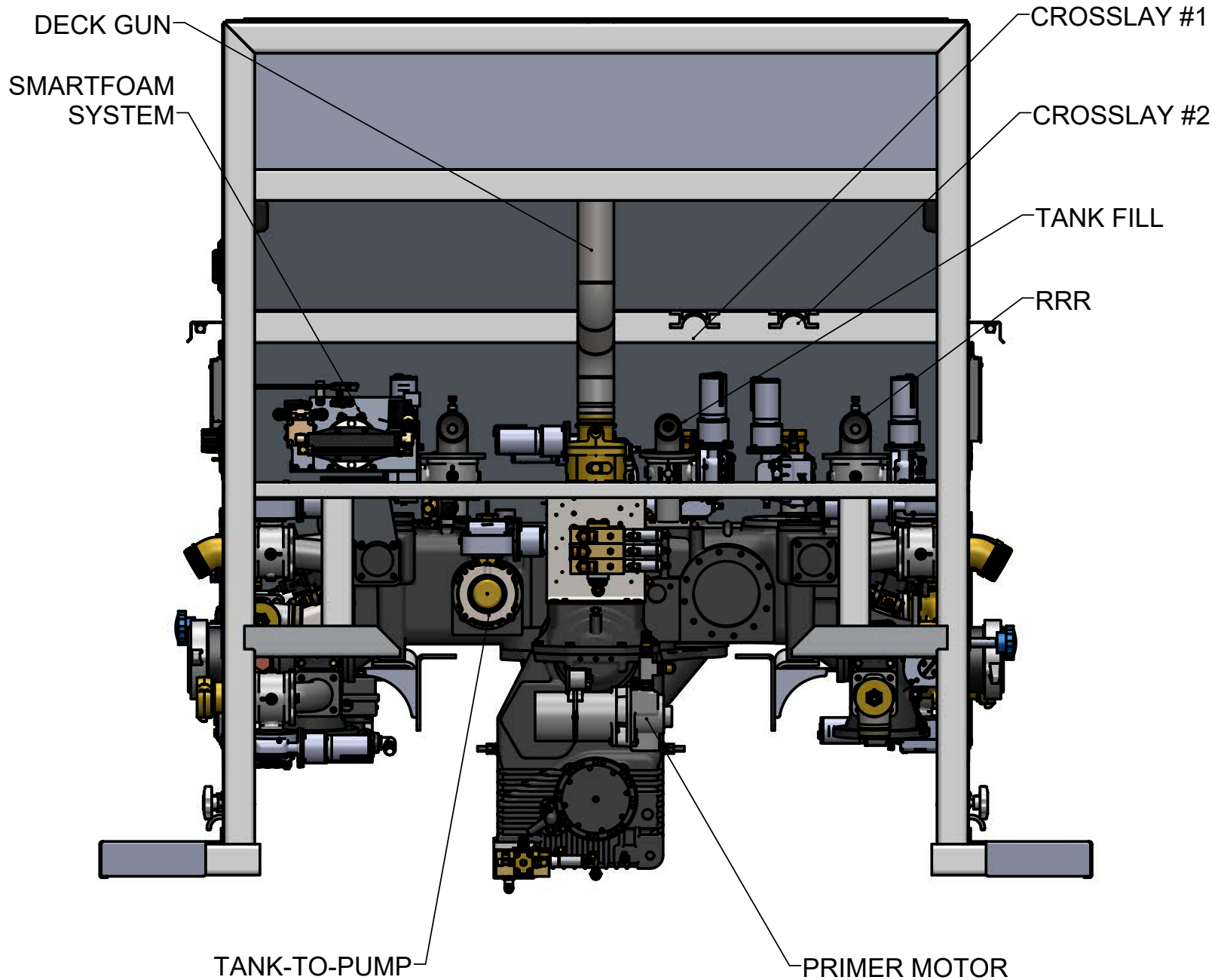
REVISIONS						
ECN	REV.	ZONE	CHANGED FROM	BY	DATE	APVD
-	-	-	See Sheet1	-	-	-

UNLESS OTHERWISE SPECIFIED DIMENSIONS ARE IN INCHES TOLERANCE FOR INCHES DIMENSIONS:
 X: ±0.04
 X.X: ±0.02
 X.XX: ±0.01
 X.XXX: ±0.005
 ANGLES: ±0.25°
 SURFACE TEXTURE IN µm Ra
 REMOVE ALL BURRS AND SHARP EDGES, 0.01MAX

COPYRIGHT ©
 NOT TO BE REPRODUCED OR USED TO MAKE OTHER DRAWINGS OR MACHINERY

							
MATERIAL		TITLE					
MADE FROM		QMAX SAM SM MODULE					
FINISH		DRAWN	KTN	SIZE	DRAWING NUMBER		
PROJECT		APPROVED	JLS	D	Master SM Q 72 X 42_SAM		
		DATE	13JAN2020	SCALE	1:5	REV 2	
						SHEET 2 OF 4	





UNCLASSIFIED ACTION
 IDEX Corporation and its subsidiaries are controlled by the U.S. Government and authorized for export only to the country of ultimate destination for use by the ultimate consignee or end-user (whichever is later). They may not be re-exported, transferred, or otherwise disposed of to any other country or to any person other than the authorized ultimate consignee or end-user, either in their original form or after being incorporated into other items, without first obtaining approval from the U.S. Government as an authorized recipient under U.S. law and regulations. This notice is required by U.S. law and regulations. IDEX Corporation and its subsidiaries are authorized to export, re-export and transfer (in-country) designated under the License Required (LR) category. This drawing is controlled and used under Intellectual Property of IDEX and its subsidiaries, and may not be reproduced or replicated without the express written permission of IDEX Corp.



REVISIONS						
ECN	REV.	ZONE	CHANGED FROM	BY	DATE	APVD
-	-	See Sheet1	See Sheet1	-	-	-

UNLESS OTHERWISE SPECIFIED
 DIMENSIONS ARE IN INCHES
 TOLERANCE FOR INCHES DIMENSIONS:
 X: ±0.04
 X.X: ±0.02
 X.XX: ±0.01
 X.XXX: ±0.005
 ANGLES: ±0.25°
 SURFACE TEXTURE IN µm Ra
 REMOVE ALL BURRS AND SHARP
 EDGES, 0.01MAX

COPYRIGHT ©
 NOT TO BE REPRODUCED OR USED TO
 MAKE OTHER DRAWINGS OR MACHINERY

							
MATERIAL		TITLE					
MADE FROM		QMAX SAM SM MODULE					
FINISH		DRAWN	KTN	SIZE	DRAWING NUMBER		
PROJECT		APPROVED	JLS	D	Master SM Q 72 X 42_SAM		
		DATE	13JAN2020	SCALE	REV		
				1:7	2		
					SHEET		
					3 OF 4		

