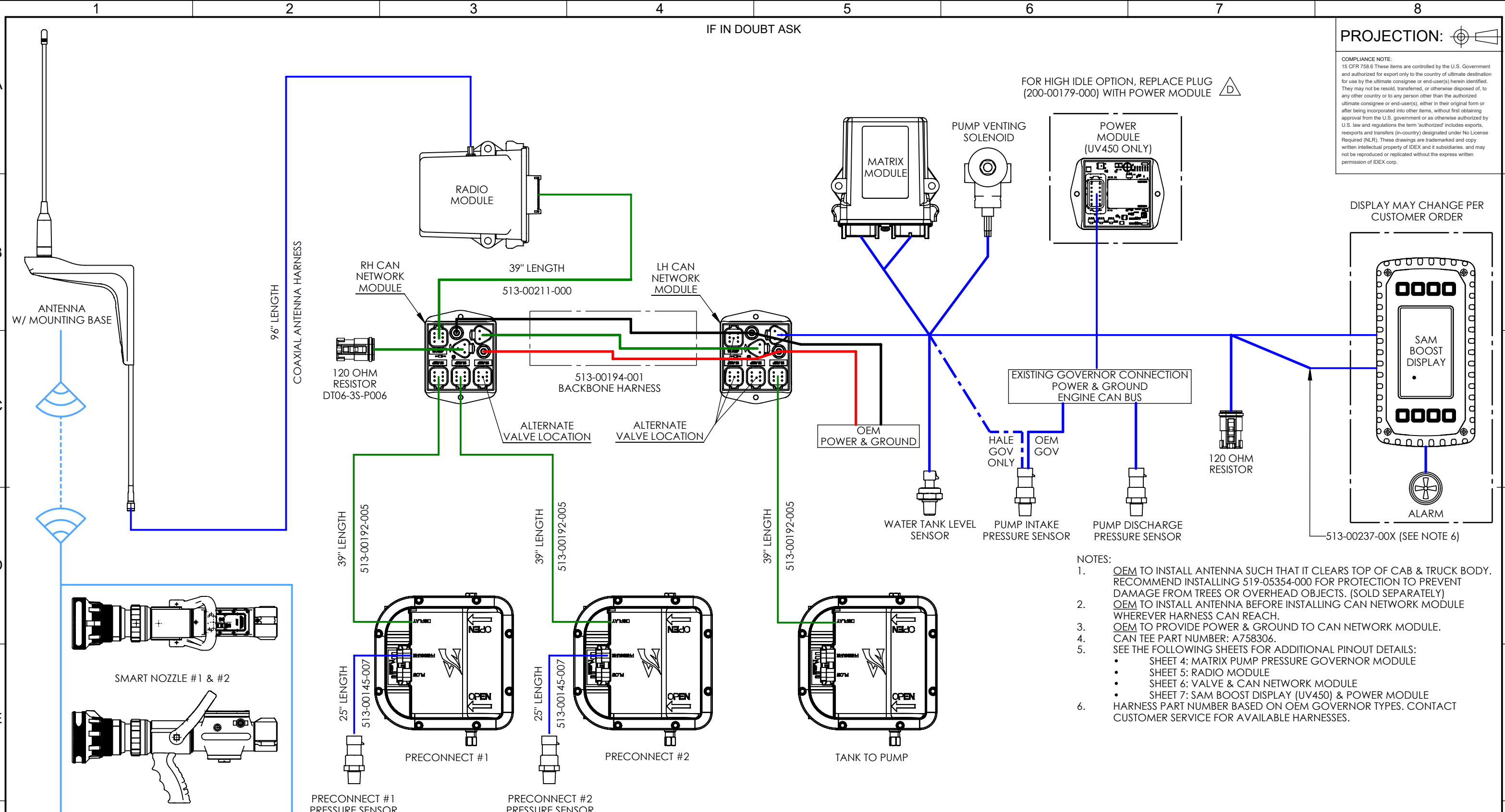


IF IN DOUBT ASK

PROJECTION:

COMPLIANCE NOTE:
15 CFR 758.6 These items are controlled by the U.S. Government and authorized for export only to the country of ultimate destination for use by the ultimate consignee or end-user(s) herein identified. They may not be resold, transferred, or otherwise disposed of, to any other country or to any person other than the authorized ultimate consignee or end-user(s), either in their original form or after being incorporated into other items, without first obtaining approval from the U.S. government or as otherwise authorized by U.S. law and regulations the term "authorized" includes exports, reexports and transfers (in-country) designated under No License Required (NLR). These drawings are trademarks and copy written intellectual property of IDEX and its subsidiaries, and may not be reproduced or replicated without the express written permission of IDEX corp.

FOR HIGH IDLE OPTION, REPLACE PLUG WITH POWER MODULE

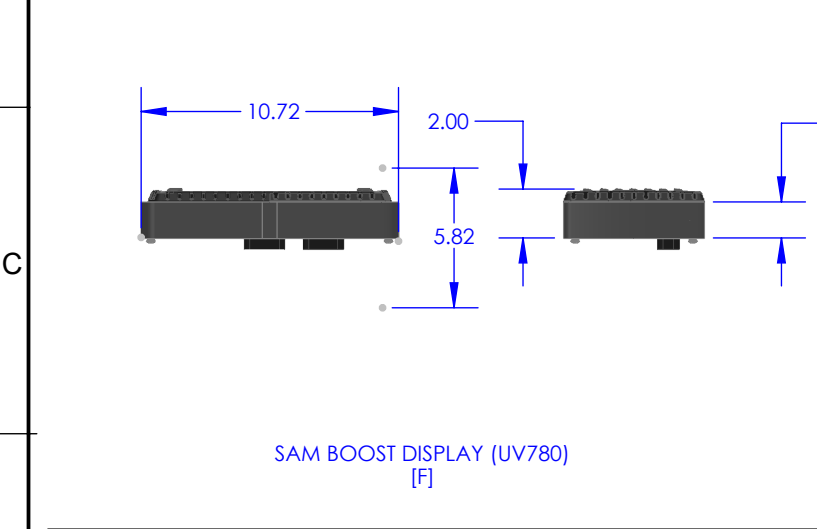
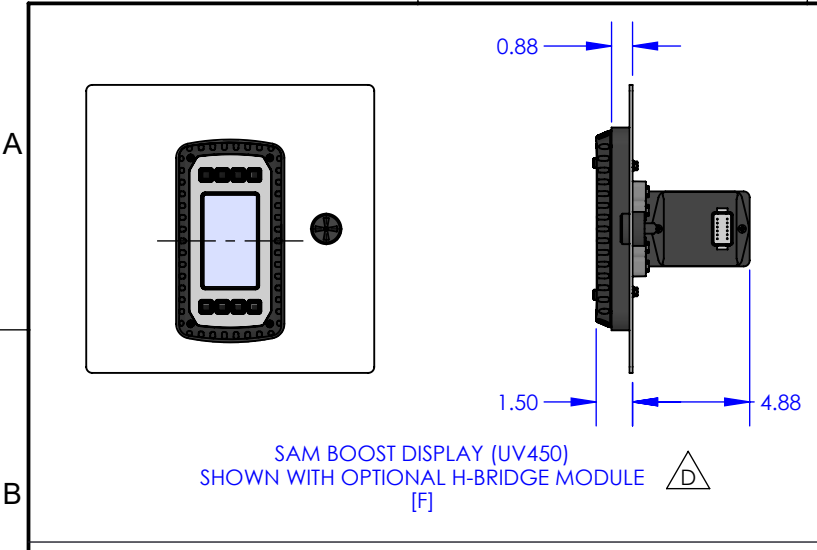


- NOTES:
- OEM TO INSTALL ANTENNA SUCH THAT IT CLEARS TOP OF CAB & TRUCK BODY. RECOMMEND INSTALLING 519-05354-000 FOR PROTECTION TO PREVENT DAMAGE FROM TREES OR OVERHEAD OBJECTS. (SOLD SEPARATELY)
 - OEM TO INSTALL ANTENNA BEFORE INSTALLING CAN NETWORK MODULE WHEREVER HARNESS CAN REACH.
 - OEM TO PROVIDE POWER & GROUND TO CAN NETWORK MODULE.
 - CAN TEE PART NUMBER: A758306.
 - SEE THE FOLLOWING SHEETS FOR ADDITIONAL PINOUT DETAILS:
 - SHEET 4: MATRIX PUMP PRESSURE GOVERNOR MODULE
 - SHEET 5: RADIO MODULE
 - SHEET 6: VALVE & CAN NETWORK MODULE
 - SHEET 7: SAM BOOST DISPLAY (UV450) & POWER MODULE
 - HARNESS PART NUMBER BASED ON OEM GOVERNOR TYPES. CONTACT CUSTOMER SERVICE FOR AVAILABLE HARNESSES.

REVISIONS						
ECN	REV.	ZONE	CHANGED FROM	BY	DATE	APVD
6295	A		ORIGINAL RELEASE	KTN	27OCT2022	JSJ
6306	B		CORRECTED CAN HUB POWER & GROUND WIRING	KTN	20JUL2023	JSJ
6400	C		ADD ITEMS FOR UV780 DISPLAY OPTION	RCV	18OCT2023	JSJ
6557	D	A7, 2-B2, 3-D7, 7-E8	REMOVE REQUIREMENT OF H-BRIDGE POWER MODULE	RCV	12FEB2024	JSJ



UNLESS OTHERWISE SPECIFIED DIMENSIONS ARE IN INCHES TOLERANCE FOR INCH DIMENSIONS: X: ±0.04 X.X: ±0.02 X.XX: ±0.01 X.XXX: ±0.005 ANGLES: ±1° SURFACE TEXTURE IN µin Ra REMOVE ALL BURRS AND SHARP EDGES, 0.01MAX		FSG OF IDEX CORPORATION		
MATERIAL	TITLE INSTALLATION, SAM BOOST NETWORK DIAGRAM			
MADE FROM	FINISH	PROJECT	DATE	REV
			27OCT2022	D
	SCALE 1:4	DRAWING NUMBER FSG-PL-01530		SHEET 1 OF 8

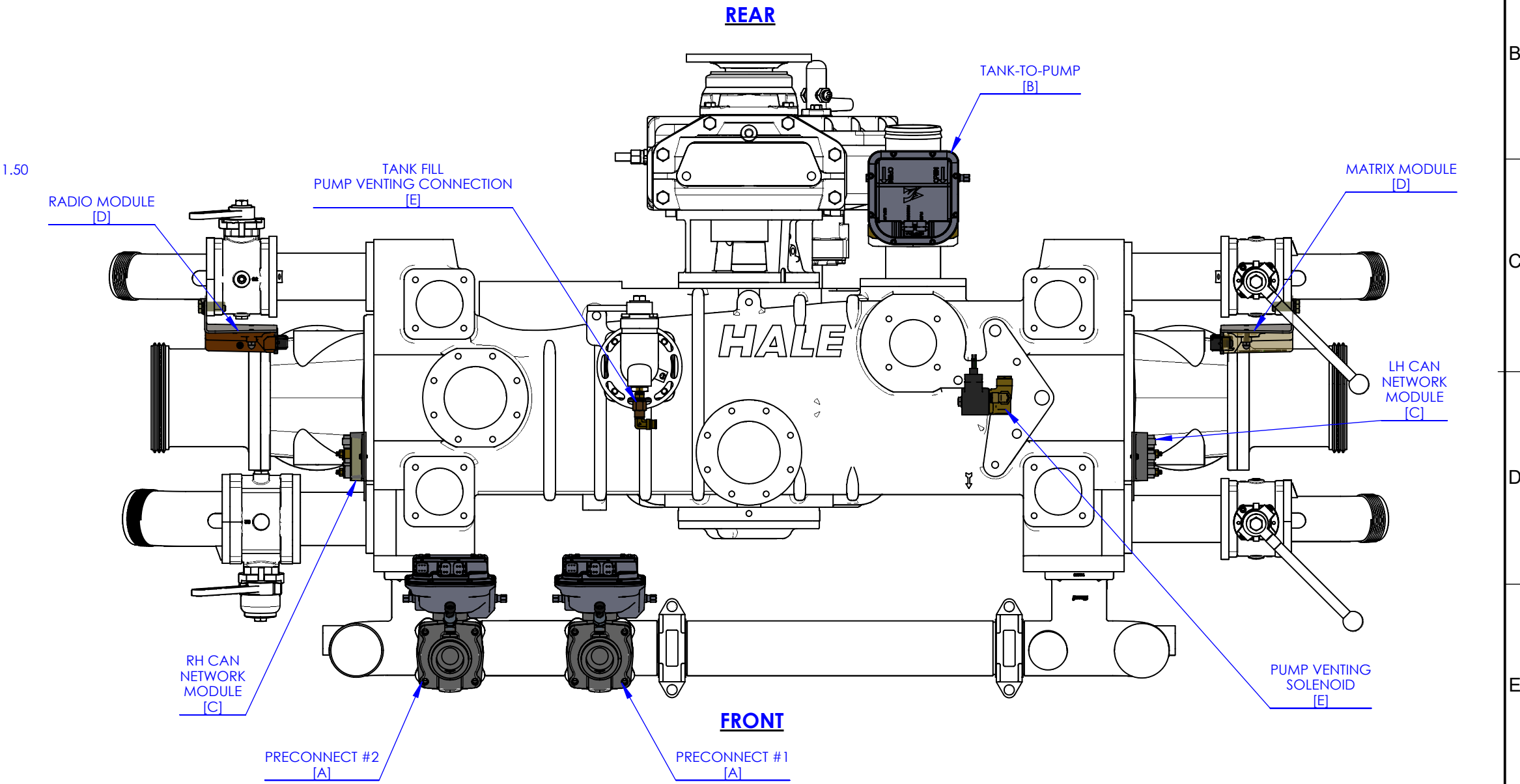


NOTES:
 1. REFER TO SHEET 3 FOR COMPONENT ASSEMBLIES.
 2. SAM BOOST DISPLAY INCLUDES ADAPTER TO MOUNT OVER FRC PUMP BOSS OR HALE TPG CUTOUTS.
 3. SAM BOOST DISPLAY ADAPTER CAN BE MOUNTED CENTERED OR INCLUDE AN OFFSET TO GOVERNOR CUTOUT.

IF IN DOUBT ASK

PROJECTION:

COMPLIANCE NOTE:
 15 CFR 758.6 These items are controlled by the U.S. Government and authorized for export only to the country of ultimate destination for use by the ultimate consignee or end-user(s) herein identified. They may not be resold, transferred, or otherwise disposed of, to any other country or to any person other than the authorized ultimate consignee or end-user(s), either in their original form or after being incorporated into other items, without first obtaining approval from the U.S. government or as otherwise authorized by U.S. law and regulations the term "authorized" includes exports, reexports and transfers (in-country) designated under No License Required (NLR). These drawings are trademarked and copy written intellectual property of IDEX and its subsidiaries, and may not be reproduced or replicated without the express written permission of IDEX corp.



REVISIONS						
ECN	REV.	ZONE	CHANGED FROM	BY	DATE	APVD
-	-	See Sheet1	See Sheet1	-	-	-

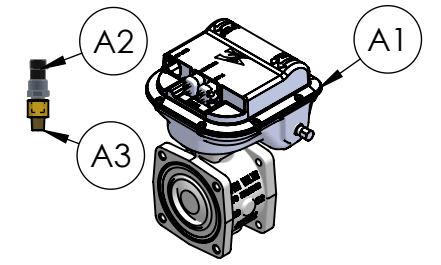
UNLESS OTHERWISE SPECIFIED DIMENSIONS ARE IN INCHES TOLERANCE FOR INCH DIMENSIONS:
 X: ±0.04
 X.X: ±0.02
 X.XX: ±0.01
 X.XXX: ±0.005
 ANGLES: ±1°
 SURFACE TEXTURE IN µin Ra REMOVE ALL BURRS AND SHARP EDGES, 0.01MAX

COPYRIGHT ©
 NOT TO BE REPRODUCED OR USED TO MAKE OTHER DRAWINGS OR MACHINERY

MATERIAL		TITLE	
MADE FROM		INSTALLATION, SAM BOOST COMPONENT DIAGRAM	
FINISH		DRAWN	KTN
PROJECT		APPROVED	JSJ
		DATE	27OCT2022
		SIZE	B
		SCALE	1:8
		DRAWING NUMBER	FSG-PL-01530
		REV	D
		SHEET 2 OF 8	

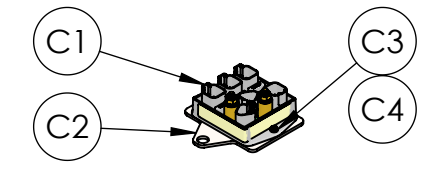
ITEM	PART NUMBER	DESCRIPTION	QTY
A1	538-00090-002	VALVE, 2.0" DISCHARGE AUTO	2
A2	200-00092	TRANSDUCER, 300 PSI 0-5V	2
A3	082-0248-02-0	ADAPTER, 1/4" MNPT X FNPT	2

NOTES:
 1. INSTALL ITEM A2 & A3 TO DISCHARGE SIDE OF ITEM A1.
 2. DO NOT OVERTIGHTEN ITEM A2.
 3. INSTALL ITEM A2 SUCH THAT IT SITS ABOVE 45° - 90°.



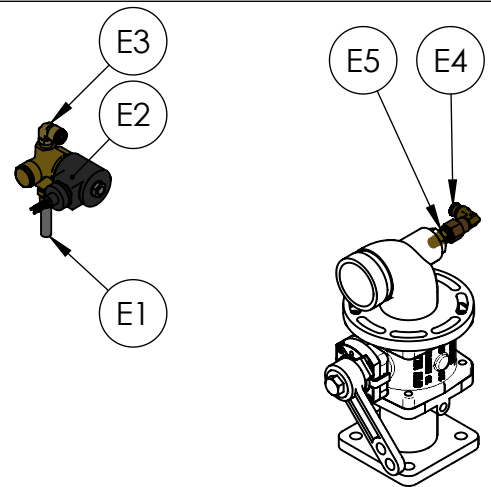
DETAIL A - PRECONNECT VALVE

ITEM	PART NUMBER	DESCRIPTION	QTY
C1	610-00088	CAN/PWR DIST BOX - 4 CHAN	2
C2	629-00101-014	BRACKET, 4-CAN MODULE	2
C3	018-0803-29-0	SCREW, #8-32 X 3/8" LG	4
C4	097-0620-00-0	WASHER, LOCK SPLIT #8 ZINC	4



DETAIL C - CAN NETWORK MODULE

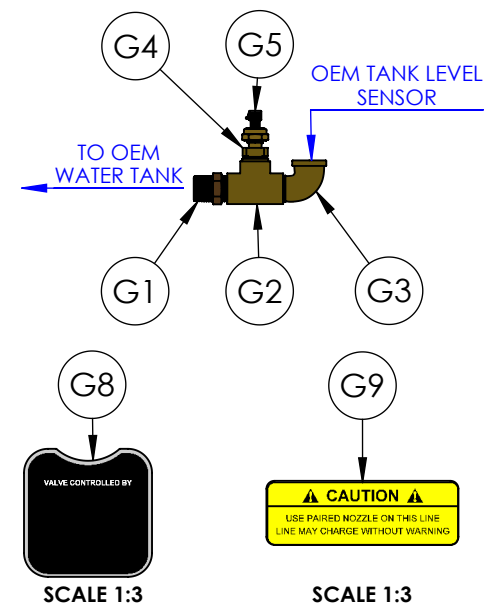
ITEM	PART NUMBER	DESCRIPTION	QTY
E1	010-0080-04-0	STRAINER, 1/4" MNPT NIPPLE	1
E2	538-00103-000	VALVE, SOLENOID	1
E3	104601	ELBOW, 1/4" MNPT X 3/8" POH	1
E4	105177	ELBOW, 1/4" FNPT X 3/8" POH	1
E5	120380	CHECK VLV, 1/4" MNPT INLINE	1



NOTES:
 1. INSTALL ITEM E1 - E3 ASSEMBLY TO DISCHARGE SIDE OF PUMP.
 2. INSTALL ITEM E4 - E5 ASSEMBLY TO OEM WATER TANK OR DISCHARGE SIDE OF TANK FILL VALVE (AS SHOWN).
 3. CONNECT ITEM E3 TO E4 USING 3/8" PUSH-ON HOSE TUBING.

DETAIL E - PUMP VENTING

ITEM	PART NUMBER	DESCRIPTION	QTY
G1	118265	NIPPLE, 3/4" MNPT HEX	1
G2	082-0560-02-0	TEE, 3/4" FNPT	1
G3	112765	ELBOW, 3/4" MNPT X FNPT	1
G4	102219	BUSHING, 3/4" MPT X 1/4" FPT	1
G5	200-00093	TRANSDUCER, 5 PSI 0-5V	1
G6*	200-00173-000	BATTERY 3.7V RECH (4-PACK)	2
G7*	200-00174-000	CHARGER BATTER TENERGY	2
G8	101-00399-000	PLACARD, BOOST P-P COVER	3
G9	101-00403-000	LABEL, SMART NOZ CAUTION	4



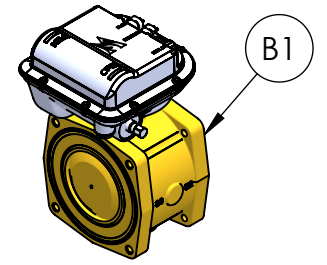
NOTES:
 1. INSTALL ITEM G1 - G5 ASSEMBLY TO OEM WATER TANK, RELOCATING ORIGINAL TANK LEVEL SENSOR TO G3.
 2. INSTALL G8 OVER PUSH-PULL CUTOUTS FOR PRECONNECTS & TANK-TO-PUMP.
 3. INSTALL G9 NEAR WHERE PRECONNECT HOSES ARE DEPLOYED ON TRUCK.

*COMPONENT NOT SHOWN

DETAIL G - MISCELLANEOUS COMPONENTS

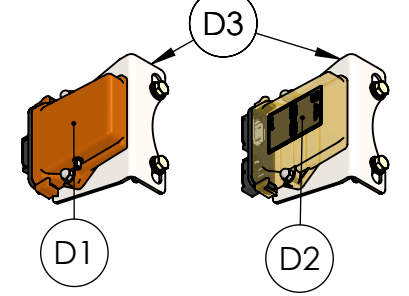
REVISIONS						
ECN	REV.	ZONE	CHANGED FROM	BY	DATE	APVD
-	-	See Sheet1	See Sheet1	-	-	-

ITEM	PART NUMBER	DESCRIPTION	QTY
B1	538-00090-001	VALVE, 3.0" TANK TO PUMP AUTO	1
OR			
B1	538-00090-011	VALVE, 4.0" TANK TO PUMP AUTO	1



DETAIL B - TANK-TO-PUMP VALVE

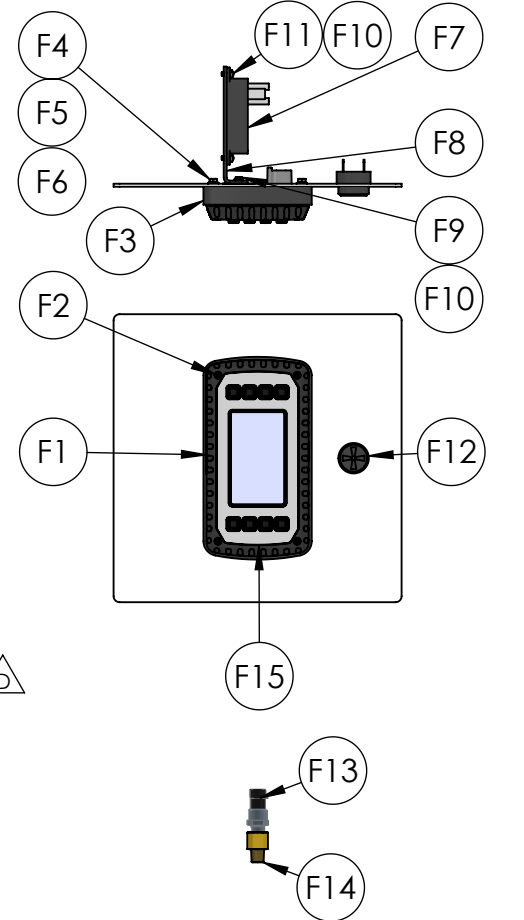
ITEM	PART NUMBER	DESCRIPTION	QTY
D1	A60370025	MODULE, SAM WIRELESS INTERFACE	1
D2	610-00052	MATRIX GOVERNOR	1
D3	019-03810-000	BRKT, PDM MODULE, VLV MOUNT	2



NOTES:
 1. ITEM D3 CAN INSTALL TO 2.5", 3.0", OR 4.0" VALVE.
 2. RECOMMENDED TO MOUNT ASSEMBLIES TO REAR MOST DISCHARGE VALVES.
 3. SEE 546-00119-000 FOR FURTHER INSTALLATION DETAILS RELATED TO ITEM D1.
 4. IF NOT USING ITEM D3, MOUNT MODULES SUCH THAT PORTS DO NOT POINT UPWARD.

DETAIL D - MOUNTED MODULE

ITEM	PART NUMBER	DESCRIPTION	QTY
F1	610-00107	DISPLAY, SAM BOOST UV450	1
F2	102514	SCREW, #6-32 X 0.75" LG PH	4
F3	019-04760-001	BLOCK, UV450 GOV ADAPTER	1
F4	018-1004-27-0	SCREW, #10-24 X 0.50" SS	4
F5	097-0750-01-0	WASHER, FLAT #10 SS	4
F6	120178	WASHER, LOCK #10 SS	4
F7	610-00109	MODULE, BOOST H-BRIDGE	1
F8	019-03798-001	BRKT, UV450 W/ H-BRIDGE	1
F9	018-0803-29-0	SCREW, #8-32 X 3/8" LG	2
F10	097-0620-00-0	WASHER, LOCK SPLIT #8 ZINC	4
F11	102521	SCREW, #8-32 X 0.38 LG PH	2
F12	105503	BUZZER, 1-30V DASH	1
F13	200-00092	TRANSDUCER, 300 PSI 0-5V	2
F14	082-0248-02-0	ADAPTER, 1/4" MNPT X FNPT	2
F15	101-00396-000	LABEL, BOOST UV450 VERT	1
F16*	101-00396-001	LABEL, BOOST UV450 HORZ	1



NOTES:
 1. INSTALL ITEM F3 - F6 ONLY IF ADAPTING TO PANEL WITH FRC PUMP BOSS OR HALE TPG.
 2. INSTALL ITEM F7 - F11 TO BACK OF ITEM F1 AS SHOWN FOR OPTIONAL HIGH IDLE.
 3. INSTALL ITEM F12 ONLY IF ADAPTING TO FRC PUMP BOSS SYSTEM. IF HALE TPG, INSTALL TO EXISTING BUZZER.
 4. INSTALL F13 - F14 TO MASTER SUCTION & MASTER DISCHARGE LINES OF PUMP.
 5. DO NOT OVERTIGHTEN ITEM F13.
 6. INSTALL ITEM F14 SUCH THAT IT SITS ABOVE 45° - 90°.
 7. INSTALL EITHER ITEM F15 OR F16 DEPENDING ON ITEM F1 ORIENTATION.

*COMPONENT NOT SHOWN

DETAIL F - SAM BOOST DISPLAY (UV450)

UNLESS OTHERWISE SPECIFIED DIMENSIONS ARE IN INCHES TOLERANCE FOR INCH DIMENSIONS: X: ±0.04 X.X: ±0.02 X.XX: ±0.01 X.XXX: ±0.005 ANGLES: ±1° SURFACE TEXTURE IN µin Ra REMOVE ALL BURRS AND SHARP EDGES, 0.01MAX	FSG OF IDEX IDEX CORPORATION				
	MATERIAL	TITLE INSTALLATION, SAM BOOST COMPONENT ASSEMBLIES			
	MADE FROM	FINISH	APPROVED	DATE	DRAWING NUMBER FSG-PL-01530
	PROJECT	DATE	APPROVED	DATE	REV D SHEET 3 OF 8

IF IN DOUBT ASK

PROJECTION:

COMPLIANCE NOTE:
15 CFR 758.6 These items are controlled by the U.S. Government and authorized for export only to the country of ultimate destination for use by the ultimate consignee or end-user(s) herein identified. They may not be resold, transferred, or otherwise disposed of, to any other country or to any person other than the authorized ultimate consignee or end-user(s), either in their original form or after being incorporated into other items, without first obtaining approval from the U.S. government or as otherwise authorized by U.S. law and regulations the term "authorized" includes exports, reexports and transfers (in-country) designated under No License Required (NLR). These drawings are trademarked and copy written intellectual property of IDEX and its subsidiaries, and may not be reproduced or replicated without the express written permission of IDEX corp.

MATRIX PUMP PRESSURE GOVERNOR MODULE

MATRIX GOVERNOR MODULE "A"			
CONNECTOR DEUTSCH: DTM06-12SA (GREY)			
LOCK DEUTSCH: WM-12S (ORANGE)			
TERM DEUTSCH: 0462-201-20141 (18-16)			
TERM DEUTSCH: 0462-201-2031 (GOLD)			
POS	CIRCUIT	COLOR	GA
1	SYSTEM POWER	RED	16GXL
2	CAN HIGH (BOOST)	YELLOW	103349
3	CAN SHIELD (BOOST)	BLACK	18GXL
4	PUMP ENGAGED	WHITE	16GXL
5	THROTTLE READY	WHITE	16GXL
6	OEM AUX	YELLOW	16GXL
7	0413-204-2005	----	----
8	0413-204-2005	----	----
9	0413-204-2005	----	----
10	PUMP VENT SOLENOID	----	----
11	CAN LOW (BOOST)	GREEN	103349
12	SYSTEM GROUND	BLACK	16GXL



MATRIX GOVERNOR MODULE "B"			
CONNECTOR DEUTSCH: DTM06-12SB (BLACK)			
LOCK DEUTSCH: WM-12S (ORANGE)			
TERM DEUTSCH: 0462-201-20141 (18-16)			
POS	CIRCUIT	COLOR	GA
1	TANK PSI POS REF	RED	BEL9364
2	TANK PSI SIG REF	WHITE	BEL9364
3	TANK PSI NEG REF	BLACK	BEL9364
4	INTAKE POS REF	RED	BEL9364
5	INTAKE SIG REF	WHITE	BEL9364
6	INTAKE NEG REF	BLACK	BEL9364
7	DISCHARGE POS REF	RED	BEL9364
8	DISCHARGE SIG REF	WHITE	BEL9364
9	DISCHARGE NEG REF	BLACK	BEL9364
10	0413-204-2005	----	----
11	0413-204-2005	----	----
12	0413-204-2005	----	----

REVISIONS						
ECN	REV.	ZONE	CHANGED FROM	BY	DATE	APVD
-	-	See Sheet1	See Sheet1	-	-	-

UNLESS OTHERWISE SPECIFIED DIMENSIONS ARE IN INCHES TOLERANCE FOR INCH DIMENSIONS:
 X: ±0.04
 X.X: ±0.02
 X.XX: ±0.01
 X.XXX: ±0.005
 ANGLES: ±1°
 SURFACE TEXTURE IN µin Ra
 REMOVE ALL BURRS AND SHARP EDGES, 0.01MAX

COPYRIGHT ©
 NOT TO BE REPRODUCED OR USED TO MAKE OTHER DRAWINGS OR MACHINERY

FSG OF IDEX CORPORATION		HALE GODIVA Class1	
MATERIAL	TITLE INSTALLATION, SAM BOOST MATRIX PINOUT		
MADE FROM	DRAWN	KTN	SIZE B
FINISH	APPROVED	JSJ	SCALE 1:4
PROJECT	DATE	27OCT2022	DRAWING NUMBER FSG-PL-01530
			REV D SHEET 4 OF 8


IF IN DOUBT ASK

PROJECTION: 

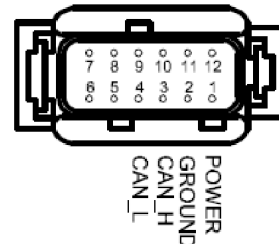
COMPLIANCE NOTE:
 15 CFR 758.6 These items are controlled by the U.S. Government and authorized for export only to the country of ultimate destination for use by the ultimate consignee or end-user(s) herein identified. They may not be resold, transferred, or otherwise disposed of, to any other country or to any person other than the authorized ultimate consignee or end-user(s), either in their original form or after being incorporated into other items, without first obtaining approval from the U.S. government or as otherwise authorized by U.S. law and regulations the term "authorized" includes exports, reexports and transfers (in-country) designated under No License Required (NLR). These drawings are trademarked and copy written intellectual property of IDEX and its subsidiaries, and may not be reproduced or replicated without the express written permission of IDEX corp.

RADIO MODULE

RADIO MODULE			
CONNECTOR DEUTSCH: DTM06-12SA (GREY)			
LOCK DEUTSCH: WM-12S (ORANGE)			
TERM DEUTSCH: 0462-201-20141 (18-16)			
TERM DEUTSCH: 0462-201-2031 (GOLD)			
POS	CIRCUIT	COLOR	GA
1	SYSTEM POWER	RED	16GXL
2	SYSTEM GROUND	BLACK	16GXL
3	CAN HIGH (BOOST)	YELLOW	103349
4	CAN LOW (BOOST)	GREEN	103349
5	0413-204-2005	----	----
6	0413-204-2005	----	----
7	0413-204-2005	----	----
8	0413-204-2005	----	----
9	0413-204-2005	----	----
10	0413-204-2005	----	----
11	0413-204-2005	----	----
12	0413-204-2005	----	----



- PWR / COM
- SN COM
- LED 3
- LED 4
- LED 5



CAN-BUS WIRELESS INTERFACE





902-928 MHz

12/24 VOLTS DC

READ OPERATING INSTRUCTIONS BEFORE USE

AKRON BRASS COMPANY
WOOSTER, OHIO, USA

REVISIONS						
ECN	REV.	ZONE	CHANGED FROM	BY	DATE	APVD
-	-	See Sheet1	See Sheet1	-	-	-

UNLESS OTHERWISE SPECIFIED DIMENSIONS ARE IN INCHES TOLERANCE FOR INCH DIMENSIONS: X: ±0.04 X.X: ±0.02 X.XX: ±0.01 X.XXX: ±0.005 ANGLES: ±1° SURFACE TEXTURE IN µin Ra REMOVE ALL BURRS AND SHARP EDGES, 0.01MAX COPYRIGHT © NOT TO BE REPRODUCED OR USED TO MAKE OTHER DRAWINGS OR MACHINERY	FSG OF  IDEX CORPORATION	  	TITLE INSTALLATION, SAM BOOST RADIO MODULE PINOUT	
	MATERIAL	DRAWN		KTN
	MADE FROM	APPROVED		JSJ
	FINISH	DATE		27OCT2022
PROJECT	SCALE		1:4	
DRAWING NUMBER		REV		
FSG-PL-01530		D		
		SHEET 5 OF 8		

IF IN DOUBT ASK

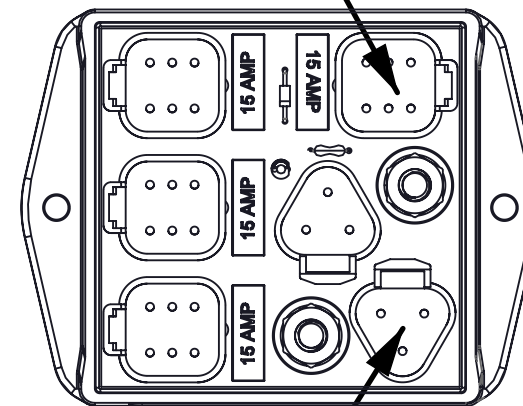
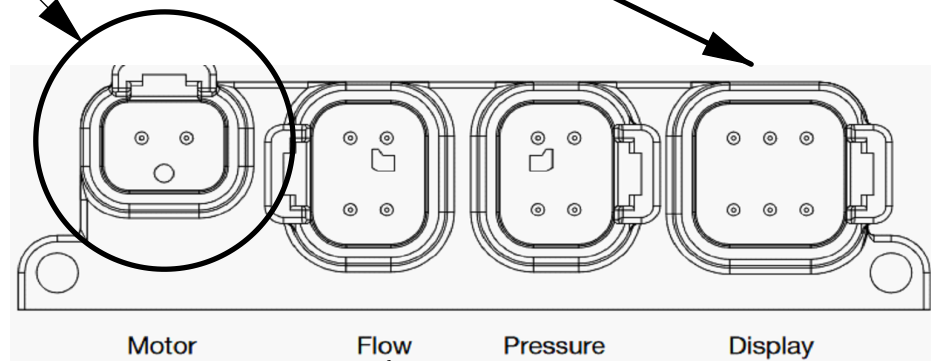
PROJECTION: 

COMPLIANCE NOTE:
 15 CFR 758.6 These items are controlled by the U.S. Government and authorized for export only to the country of ultimate destination for use by the ultimate consignee or end-user(s) herein identified. They may not be resold, transferred, or otherwise disposed of, to any other country or to any person other than the authorized ultimate consignee or end-user(s), either in their original form or after being incorporated into other items, without first obtaining approval from the U.S. government or as otherwise authorized by U.S. law and regulations the term "authorized" includes exports, reexports and transfers (in-country) designated under No License Required (NLR). These drawings are trademarks and copy written intellectual property of IDEX and its subsidiaries, and may not be reproduced or replicated without the express written permission of IDEX corp.

AKRON VALVE DISPLAY			
VALVES: TANK TO PUMP, DISCHARGES			
CONNECTOR DEUTSCH: DT06-6S (GREY)			
LOCK DEUTSCH: W6S (ORANGE)			
TERM DEUTSCH: 0462-201-16141 (20-16) GOLD			
TERM DEUTSCH: 0462-209-16141 (16-14) TIN			
POS	CIRCUIT	COLOR	GA
1	CAN HIGH (DISCH.)	YELLOW	103349
2	CAN SHIELD (DISCH.)	BLACK	18GXL
3	SYSTEM GROUND	BLACK	14GXL
4	SYSTEM POWER	RED	14GXL
5	114017	----	----
6	CAN LOW (DISCH.)	GREEN	103349

VALVE BUSS (CAN NETWORK MODULE)			
CONNECTOR DEUTSCH: DT06-6S (GREY)			
LOCK DEUTSCH: W6S (ORANGE)			
TERM DEUTSCH: 0462-201-161 (20-16) GOLD			
TERM DEUTSCH: 0462-209-16141 (16-14) TIN			
POS	CIRCUIT	COLOR	GA
1	CAN HIGH (BOOST)	YELLOW	103349
2	CAN SHIELD (BOOST)	BLACK	18GXL
3	SYSTEM GROUND	BLACK	14GXL
4	SYSTEM POWER	RED	14GXL
5	114017	----	----
6	CAN LOW (BOOST)	GREEN	103349

NOT USED ON AKRON ELECTRIC ACTUATORS AFTER SPRING 2020



AKRON VALVE FLOW			
CONNECTOR DEUTSCH: DT06-4S-E008 (GREY)			
LOCK DEUTSCH: W4SB-P012 (BLACK)			
TERM DEUTSCH: 0462-201-1631 (GOLD)*			
TERM DEUTSCH: 0462-209-16141 (TIN)			
POS	CIRCUIT	COLOR	GA
1	SIGNAL	WHITE	BEL9364
2	SHIELD*	DRAIN	BEL9364
3	POWER (-)	BLACK	BEL9364
4	POWER (+)	RED	BEL9364

AKRON VALVE PRESSURE			
CONNECTOR DEUTSCH: DT06-4S-E008 (GREY)			
LOCK DEUTSCH: W4SA-P012 (GREY)			
TERM DEUTSCH: 0462-201-1631 (GOLD)*			
TERM DEUTSCH: 0462-209-16141 (TIN)			
POS	CIRCUIT	COLOR	GA
1	SIGNAL	WHITE	BEL9364
2	SHIELD*	DRAIN	BEL9364
3	POWER (-)	BLACK	BEL9364
4	POWER (+)	RED	BEL9364

CAN NETWORK (CAN NETWORK MODULE)			
CONNECTOR DEUTSCH: DT06-3S-CE05 (BLK) FML			
LOCK DEUTSCH: W3S-1939 (BLUE)			
TERM DEUTSCH: 0462-201-1631 (20-18) GOLD			
POS	CIRCUIT	COLOR	GA
1	CAN HIGH	YELLOW	103349
2	CAN LOW	GREEN	103349
3	CAN SHIELD	BLACK	18GXL

UNLESS OTHERWISE SPECIFIED DIMENSIONS ARE IN INCHES TOLERANCE FOR INCH DIMENSIONS:
 X: ±0.04
 X.X: ±0.02
 X.XX: ±0.01
 X.XXX: ±0.005
 ANGLES: ±1°
 SURFACE TEXTURE IN µin Ra
 REMOVE ALL BURRS AND SHARP EDGES, 0.01MAX



INSTALLATION, SAM BOOST VALVE & CAN MODULE PINOUT

REVISIONS					
ECN	REV.	ZONE	CHANGED FROM	BY	DATE
-	-	See Sheet1	See Sheet1	-	-

COPYRIGHT ©
 NOT TO BE REPRODUCED OR USED TO MAKE OTHER DRAWINGS OR MACHINERY

MATERIAL	TITLE		SIZE	DRAWING NUMBER	REV
MADE FROM	INSTALLATION, SAM BOOST VALVE & CAN MODULE PINOUT		B	FSG-PL-01530	D
FINISH	DRAWN	KTN	SCALE	DATE	SHEET
PROJECT	APPROVED	JSJ	1:1	27OCT2022	6 OF 8

IF IN DOUBT ASK

PROJECTION: 

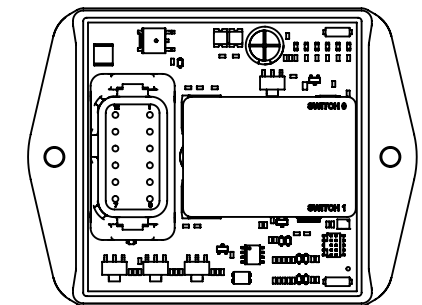
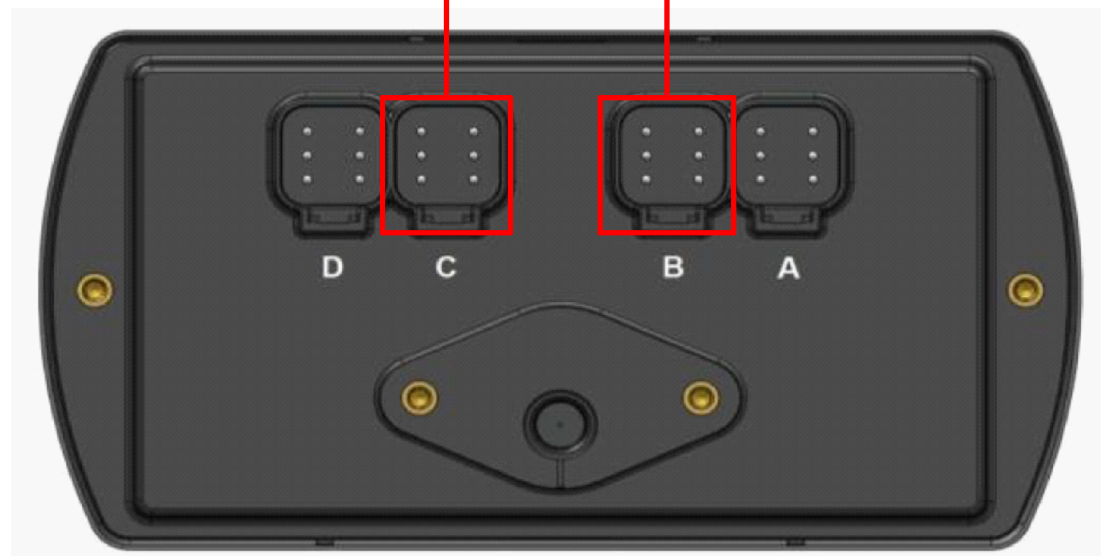
COMPLIANCE NOTE:
15 CFR 758.6 These items are controlled by the U.S. Government and authorized for export only to the country of ultimate destination for use by the ultimate consignee or end-user(s) herein identified. They may not be resold, transferred, or otherwise disposed of, to any other country or to any person other than the authorized ultimate consignee or end-user(s), either in their original form or after being incorporated into other items, without first obtaining approval from the U.S. government or as otherwise authorized by U.S. law and regulations the term 'authorized' includes exports, reexports and transfers (in-country) designated under No License Required (NLR). These drawings are trademarked and copy written intellectual property of IDEX and its subsidiaries, and may not be reproduced or replicated without the express written permission of IDEX corp.

SAM BOOST DISPLAY (UV450) & POWER MODULE

SAM BOOST DISPLAY (PORT C)			
CONNECTOR DEUTSCH: DT06-6S-EP11 (BLK)			
LOCK DEUTSCH: W6S (ORANGE)			
TERM DEUTSCH: 0462-201-1631 (18) GOLD			
TERM DEUTSCH: 0462-209-16141 (16-14) TIN			
POS	CIRCUIT	COLOR	GA
1	114017	----	----
2	CAN HIGH (BOOST)	YELLOW	103349
3	CAN LOW (BOOST)	GREEN	103349
4	CAN SHIELD (BOOST)	BLACK	18GXL
5	114017	----	----
6	114017	----	----

SAM BOOST DISPLAY (PORT B)			
CONNECTOR DEUTSCH: DT06-6S-EP11 (BLK)			
LOCK DEUTSCH: W6S (ORANGE)			
TERM DEUTSCH: 0462-201-1631 (18) GOLD			
TERM DEUTSCH: 0462-209-16141 (16-14) TIN			
POS	CIRCUIT	COLOR	GA
1	POWER	RED	16GXL
2	CAN HIGH (CHASSIS)	YELLOW	103349
3	CAN LOW (CHASSIS)	GREEN	103349
4	ALARM BUZZER OUT	WHITE	18GXL
5	IGNITION	RED	16GXL
6	GROUND	BLACK	16GXL

POWER MODULE			
CONNECTOR DEUTSCH: DT06-12SA			
LOCK DEUTSCH: W12S (ORANGE)			
TERM DEUTSCH: 0462-201-1631 (GOLD)			
TERM DEUTSCH: 0462-201-16141 (TIN)			
POS	CIRCUIT	COLOR	GA
1	SYSTEM POWER	RED	16GXL
2	CAN HIGH (BOOST)	YELLOW	103349
3	SYSTEM POWER ON	RED	16GXL
4	114017	----	----
5	114017	----	----
6	114017	----	----
7	114017	----	----
8	114017	----	----
9	114017	----	----
10	114017	----	----
11	CAN LOW (BOOST)	GREEN	103349
12	SYSTEM GROUND	BLACK	16GXL



REQUIRED ONLY FOR HIGH IDLE OPTION 

UNLESS OTHERWISE SPECIFIED
DIMENSIONS ARE IN INCHES
TOLERANCE FOR INCH DIMENSIONS:
X: ±0.04
X.X: ±0.02
X.XX: ±0.01
X.XXX: ±0.005
ANGLES: ±1°
SURFACE TEXTURE IN µin Ra
REMOVE ALL BURRS AND SHARP
EDGES, 0.01MAX

COPYRIGHT ©
NOT TO BE REPRODUCED OR USED TO
MAKE OTHER DRAWINGS OR MACHINERY



MATERIAL	TITLE
MADE FROM	INSTALLATION, SAM BOOST UV450 & POWER PINOUT
FINISH	DRAWN KTN
PROJECT	APPROVED JSJ
	DATE 27OCT2022

SIZE	DRAWING NUMBER	REV
B	FSG-PL-01530	D
SCALE		SHEET
1:1		7 OF 8

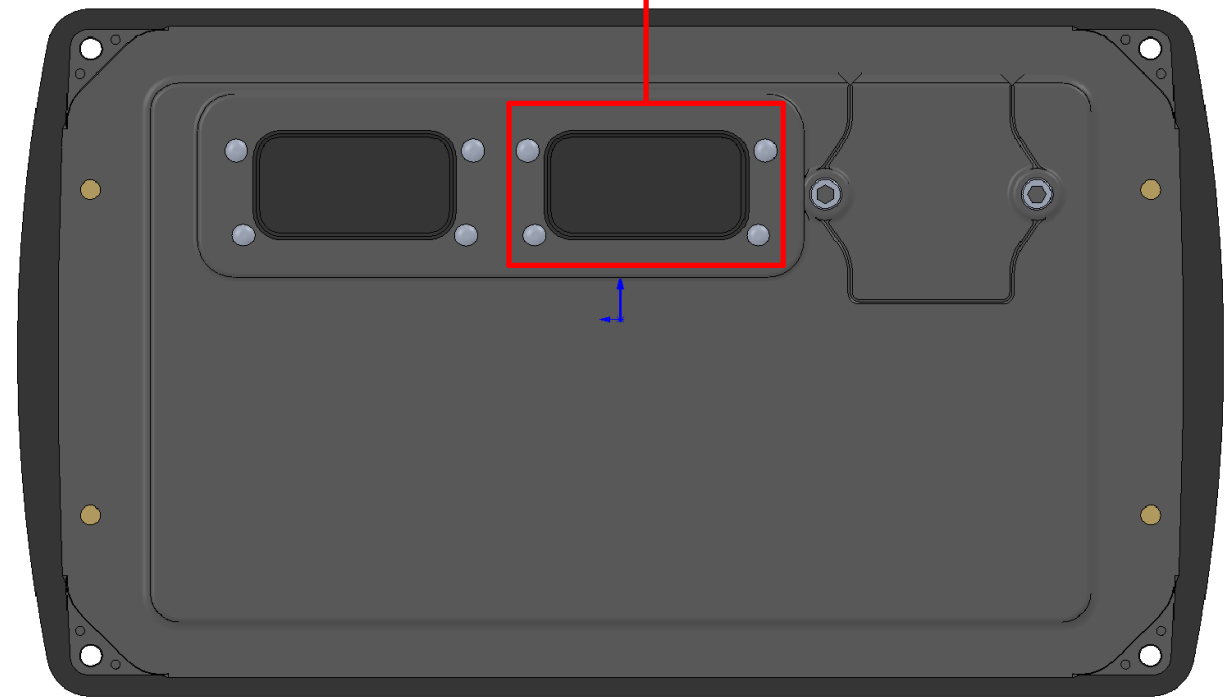
REVISIONS

ECN	REV.	ZONE	CHANGED FROM	BY	DATE	APVD
-	-	See Sheet1	See Sheet1	-	-	-

IF IN DOUBT ASK

PROJECTION: 

COMPLIANCE NOTE:
 15 CFR 758.6 These items are controlled by the U.S. Government and authorized for export only to the country of ultimate destination for use by the ultimate consignee or end-user(s) herein identified. They may not be resold, transferred, or otherwise disposed of, to any other country or to any person other than the authorized ultimate consignee or end-user(s), either in their original form or after being incorporated into other items, without first obtaining approval from the U.S. government or as otherwise authorized by U.S. law and regulations the term "authorized" includes exports, reexports and transfers (in-country) designated under No License Required (NLR). These drawings are trademarks and copy written intellectual property of IDEX and its subsidiaries, and may not be reproduced or replicated without the express written permission of IDEX corp.

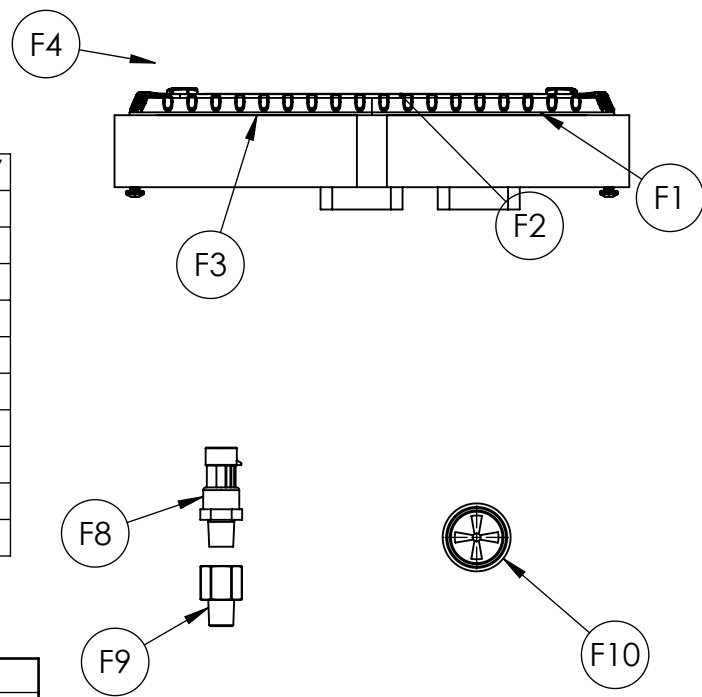


UV800 DISPLAY

CONNECTOR AMP/TYCO: 770680-1 (BLACK) FEMALE
 TERMINAL TYCO: 770520-1 (TIN)
 TERMINAL AMP/TYCO: 770520-3 (GOLD)
 CAVITY PLUG AMP/TYCO: 770678-1 (NATURAL)



POS	CIRCUIT	COLOR	GA
1	770678-1	----	----
2	770678-1	----	----
3	770678-1	----	----
4	770678-1	----	----
5	CAN LOW (CHASSIS)	GREEN	103349
6	CAN HIGH (CHASSIS)	YELLOW	103349
7	SYSTEM POWER	RED	16GXL
8	SYSTEM GROUND	BLACK	16GXL
9	770678-1	----	----
10	770678-1	----	----
11	770678-1	----	----
12	770678-1	----	----
13	770678-1	----	----
14	770678-1	----	----
15	IGNITION	WHITE	16GXL
16	SYSTEM GROUND	BLACK	16GXL
17	SYSTEM POWER	RED	16GXL
18	CAN LOW (BOOST)	GREEN	103349
19	CAN HIGH (BOOST)	YELLOW	103349
20	770678-1	----	----
21	770678-1	----	----
22	BUZZER ALARM OUTPUT	BLACK	18GXL
23	770678-1	----	----

ITEM	PART NUMBER	DESCRIPTION	QTY
F1	610-00111	DISPLAY, SAM BOOST UV780	1
F2	101-00406-000	LABEL, BOOST UV780	1
F3	019-05768	BLOCK, UV450 GOV ADAPTER	1
F4	102514	SCREW, #6-32 X 0.75" LG PH	4
F5*	104087	SCREW, #10-24 X 0.75" PAN SS	4
F6*	097-0750-01-0	WASHER, FLAT #10 SS	4
F7*	120178	WASHER, LOCK #10 SS	4
F8	200-00092	TRANSDUCER, 300 PSI 0-5V	2
F9	082-0248-02-0	ADAPTER, 1/4" MNPT X FNPT	2
F10	105503	BUZZER, 1-30V DASH	1



UNLESS OTHERWISE SPECIFIED DIMENSIONS ARE IN INCHES TOLERANCE FOR INCH DIMENSIONS:
 X: ±0.04
 X.X: ±0.02
 X.XX: ±0.01
 X.XXX: ±0.005
 ANGLES: ±1°
 SURFACE TEXTURE IN µin Ra
 REMOVE ALL BURRS AND SHARP EDGES, 0.01MAX

COPYRIGHT ©
 NOT TO BE REPRODUCED OR USED TO MAKE OTHER DRAWINGS OR MACHINERY

			
MATERIAL		TITLE	
MADE FROM		INSTALLATION, SAM BOOST UV780	
FINISH		DRAWN: KTN APPROVED: JSJ DATE: 27OCT2022	SIZE: B SCALE: 1:1
PROJECT		DRAWING NUMBER: FSG-PL-01530	
		REV: D	
		SHEET 8 OF 8	

*COMPONENT NOT SHOWN

REVISIONS

ECN	REV.	ZONE	CHANGED FROM	BY	DATE	APVD
-	-	See Sheet1	See Sheet1	-	-	-

A
B
C
D
E
F

A
B
C
D
E
F

1 2 3 4 5 6 7 8

1 2 3 4 5 6 7 8