

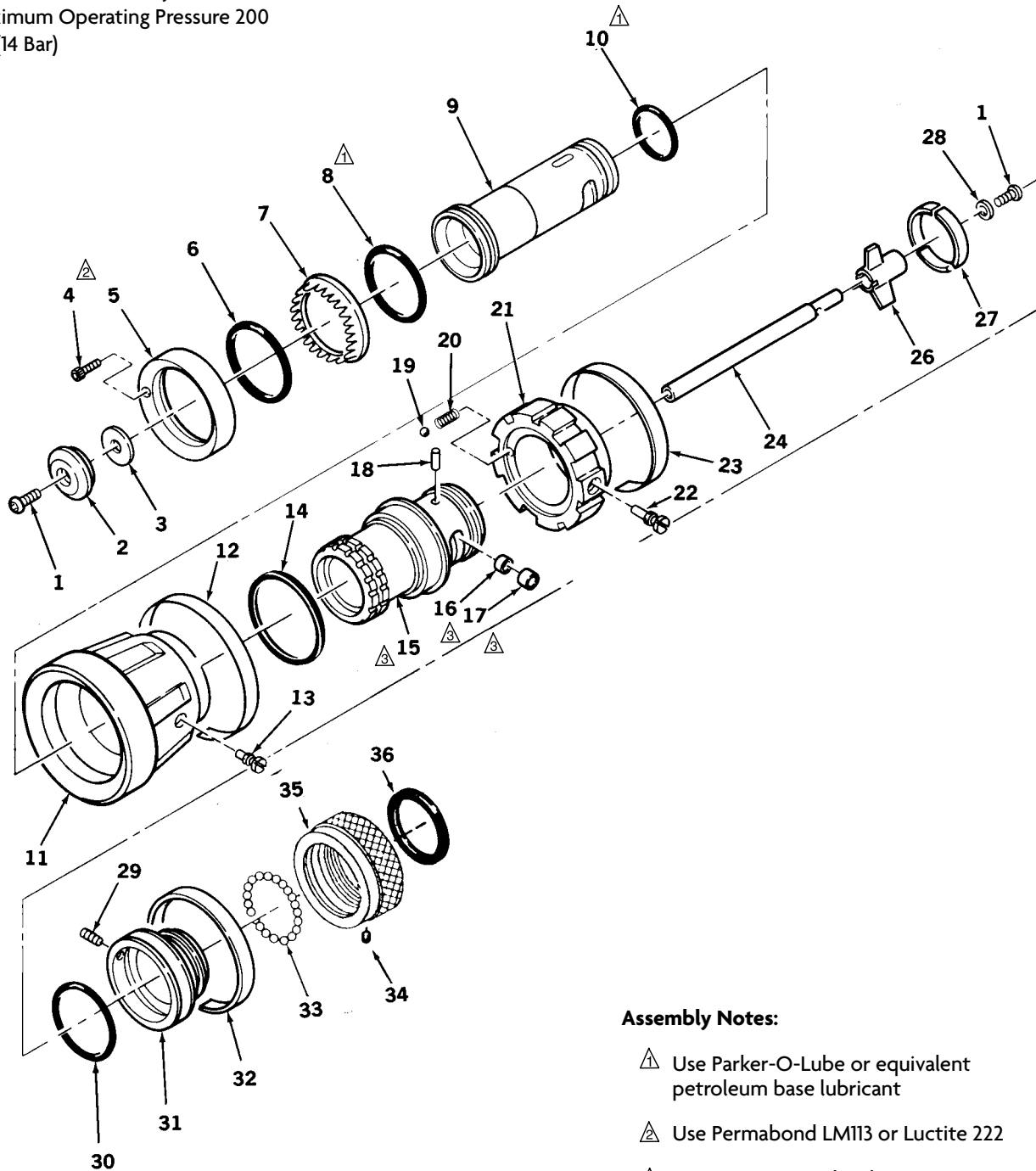
NOTE: This product model is no longer in production. For service and repair, please contact Akron's Customer Service at 800.228.1161 or 330.264.5678.

**STYLE 1737, 1744
Pyrolite® Turbojet® Tip
Without Twist Shutoff**

TECHNICAL SERVICE PARTS

OPERATING INSTRUCTIONS:

- Flow Ratings at 100 PSI (6.7 Bar)
- Open and Close Slowly
- Maximum Operating Pressure 200 PSI (14 Bar)



Assembly Notes:

- △ Use Parker-O-Lube or equivalent petroleum base lubricant
- △ Use Permabond LM113 or Luctite 222
- △ Use Low-Temp Lubriplate



STYLE 1737, 1744
Pyrolite® Turbojet® Tip
Without Twist Shutoff
TECHNICAL SERVICE PARTS LIST

ITEM NO.	DESCRIPTION	PART NUMBER	QUANTITY	
			1737	1744
1	Socket Head Cap Screw	765149	2	2
2	Baffle Head	102259	1	1
3	Spacer	769388		
4	Socket Head Cap Screw	765150	2	1
5	Turbine Retaining Ring	758176	1	1
6	O-Ring	757292	1	1
7*	Turbine Teeth	772149	1	1
8	O-Ring	757266	1	1
9	Discharge Tube	102263	1	
9	Discharge Tube	102292		1
10	O-Ring	757247	1	1
11	Bumper Assembly	17250017	1	1
12	Pattern Indicating Band	704258	1	1
13	Pattern Stop	769403	1	1
14	Seal	768223	1	1
15	Nozzle Body	102258	1	1
16	Cam Roller - Short	707239	1	1
17	Cam Roller - Long	707238	1	1
18	Key Pin	727033	1	1
19	Detent Ball	704018	1	1
20	Detent Spring	769111	1	1
21	Discharge Control Ring	109108	1	1
22	Cam Axle	702050	1	1
23	Discharge Control Band - GPM	704278	1	
23	Discharge Control Band - GPM	704279		1
24	Stem	††	1	1
26	Spider	††	1	1
27	Spider Segment	769390	3	3
28	Washer	††	1	1
29	Set Screw	765024	1	1
30	O-Ring	757277	1	1
31	Adapter	102304	1	1
32	I.D. Band	704406	1	
32	I.D. Band	704602		1
33	Locking Balls	**	38	38
34	Socket Head Set Screw	765008	1	1
35	Swivel (1-1/2" NH)	108313	1	1
36	Swivel Gasket	717042	1	1

††Parts not sold separately.

Nozzle must be returned to the factory for repair.

**Packet of 50 Locking Balls - PN 109042

*Parts included in Field Service Kit #9110

† For other threads order by description and thread size (ODM and TPI) or by Akron Thread Code.



ISO 9001 REGISTERED COMPANY

PHONE: 330.264.5678 or 800.228.1161 | FAX: 330.264.2944 or 800.531.7335 | akronbrass.com

REVISED: 8/11

WARRANTY AND DISCLAIMER: We warrant Akron Brass products for a period of five (5) years after purchase against defects in materials or workmanship. Akron Brass will repair or replace product which fails to satisfy this warranty. Repair or replacement shall be at the discretion of Akron Brass. Products must be promptly returned to Akron Brass for warranty service.

We will not be responsible for: wear and tear; any improper installation, use, maintenance or storage; negligence of the owner or user; repair or modification after delivery; damage; failure to follow our instructions or recommendations; or anything else beyond our control. WE MAKE NO WARRANTIES, EXPRESS OR IMPLIED, OTHER THAN THOSE INCLUDED IN THIS WARRANTY STATEMENT, AND WE DISCLAIM ANY IMPLIED WARRANTY OF MERCHANTABILITY OR FITNESS FOR ANY PARTICULAR PURPOSE. Further, we will not be responsible for any consequential, incidental or indirect damages (including, but not limited to, any loss of profits) from any cause whatsoever. No person has authority to change this warranty.

© Akron Brass Company. 2011 All rights reserved. No portion of this can be reproduced without the express written consent of Akron Brass Company.