



Apollo Ground Base Spike Caps Installation Instructions

To attach the Spike Caps to the Apollo Ground Base

Drill and Tap two holes with $\frac{1}{4}$ -20 thread on the two folding legs. See Figure 1 for location. Attach one Spike Cap and Lanyard Assembly to each leg with the $\frac{1}{4}$ -20 screw supplied.

To store the Apollo Ground Base

Fold the legs in first, cover the spike with the Spike Cap and slower push until snug. See Figure 2. If the Cap is loose, remove the Cap from the Spike and gently squeeze the ends until a suitable fit.

To remove the Spike Caps upon deployment

Simply pull the folding legs out into the deployed position. See Figure 3. The Spike Cap will be pulled off the Spike.

Caution: Ensure the Spike Cap is removed from the Spike before Flowing water through the Apollo Monitor.

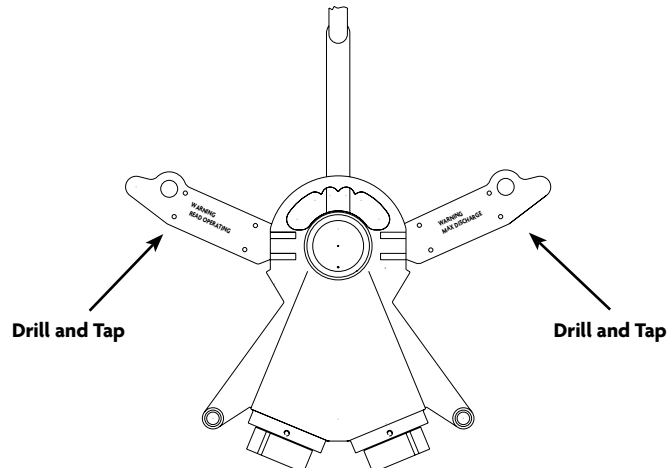


Figure 1



Figure 2



Figure 3



Tested.. Proven.. Trusted.

ISO 9001 REGISTERED COMPANY

PHONE: 330.264.5678 or 800.228.1161 | FAX: 330.264.2944 or 800.531.7335 | akronbrass.com

REVISED: 8/11

WARRANTY AND DISCLAIMER: We warrant Akron Brass products for a period of five (5) years after purchase against defects in materials or workmanship. Akron Brass will repair or replace product which fails to satisfy this warranty. Repair or replacement shall be at the discretion of Akron Brass. Products must be promptly returned to Akron Brass for warranty service.

We will not be responsible for: wear and tear; any improper installation, use, maintenance or storage; negligence of the owner or user; repair or modification after delivery; damage; failure to follow our instructions or recommendations; or anything else beyond our control. WE MAKE NO WARRANTIES, EXPRESS OR IMPLIED, OTHER THAN THOSE INCLUDED IN THIS WARRANTY STATEMENT, AND WE DISCLAIM ANY IMPLIED WARRANTY OF MERCHANTABILITY OR FITNESS FOR ANY PARTICULAR PURPOSE. Further, we will not be responsible for any consequential, incidental or indirect damages (including, but not limited to, any loss of profits) from any cause whatsoever. No person has authority to change this warranty.

© Akron Brass Company, 2011 All rights reserved. No portion of this can be reproduced without the express written consent of Akron Brass Company.