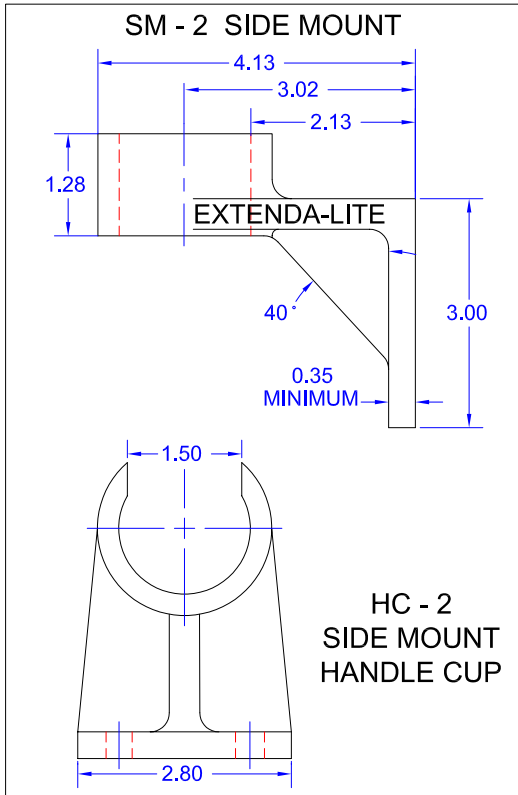
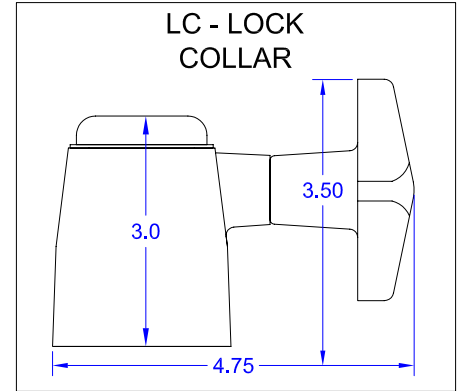
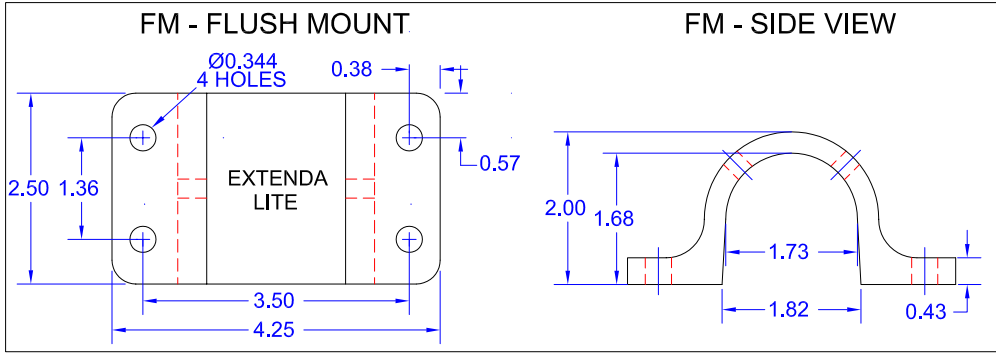
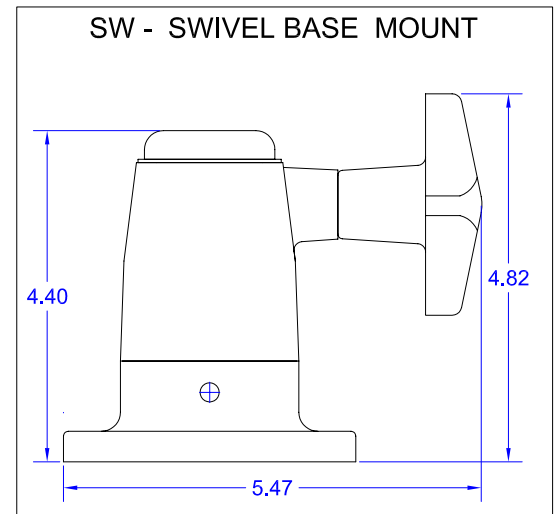
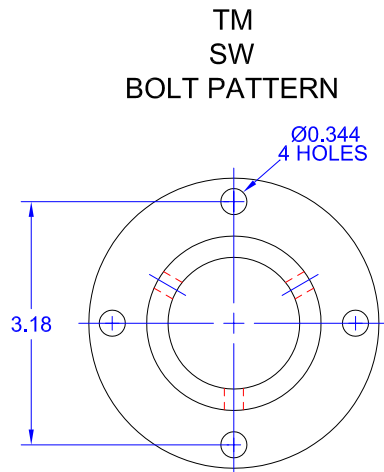
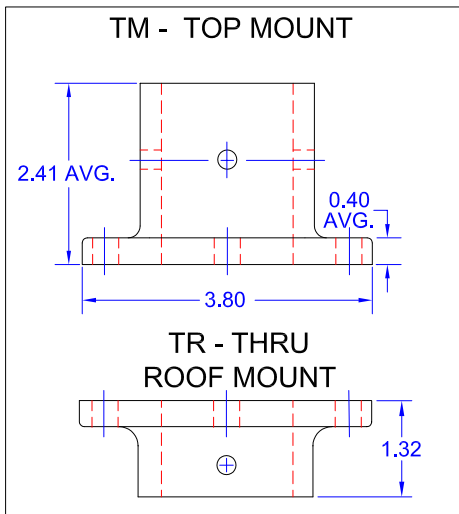
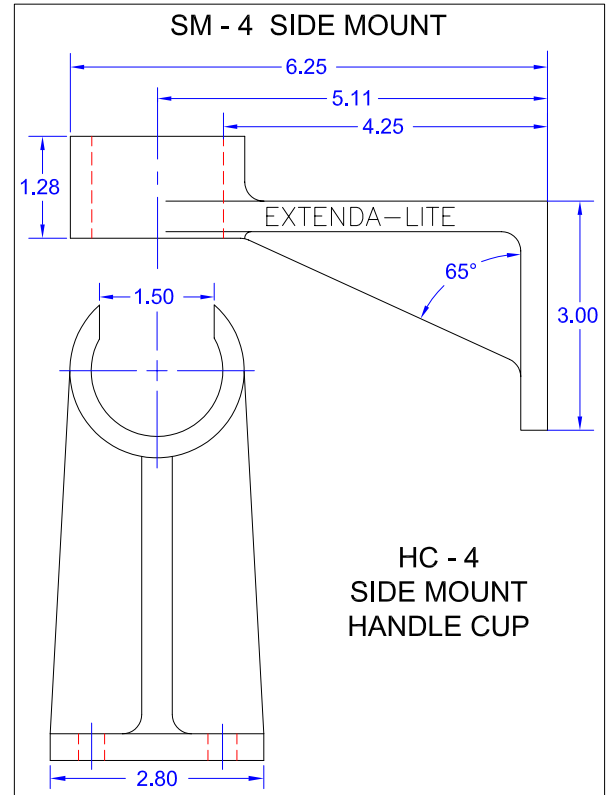
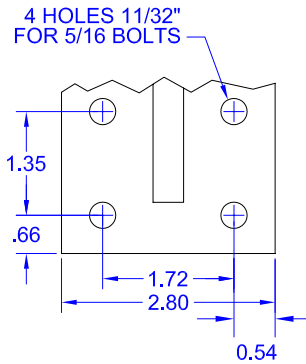


**EXTENDA-LITE MOUNTING BRACKETS W/ DIMENSIONS**



**SM - 2  
SM - 4  
HC - 2  
HC - 4  
BOLT PATTERN**



**ISO-9001 CERTIFIED**



**Akron Brass Company**  
A Premier Farnell Company

501 N. Cummings Lane, Washington, IL 61571  
Phone: (309)444-4440 Fax: (309)444-8766