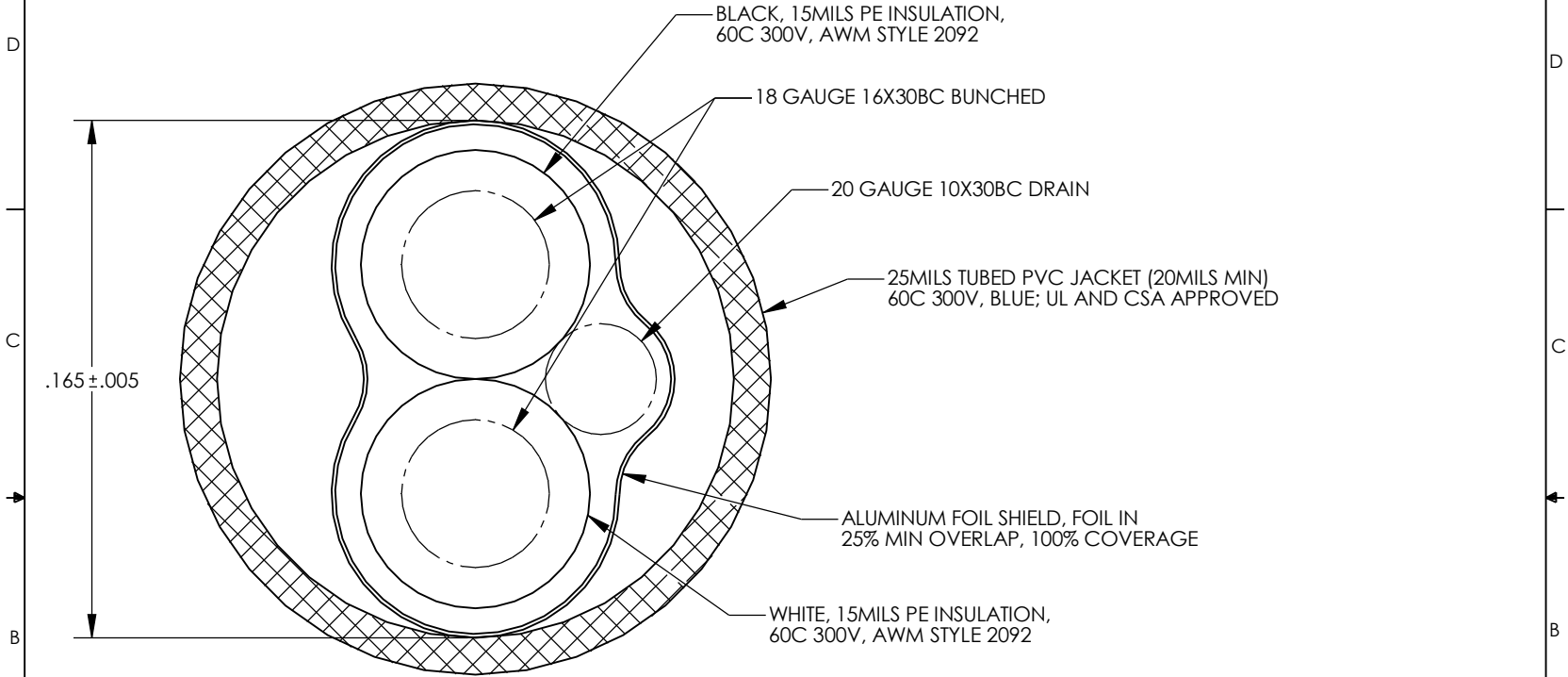


8 7 6 5 4 3 2 1

THIS DRAWING AND ALL INFORMATION CONTAINED HEREIN IS THE PROPERTY OF WELDON TECHNOLOGIES, INC. AND MAY NOT BE COPIED, REPRODUCED, OR DEVULGED TO UNAUTHORIZED PERSONS WITHOUT THE EXPRESS WRITTEN CONSENT OF WELDON TECHNOLOGIES, INC. AS IT IS BEING PROVIDED SOLELY FOR THE CONVENIENCE OF THE USER AND SHALL BE RETURNED TO WELDON TECHNOLOGIES, INC UPON REQUEST.



NOTES:

1. TWISTED PAIR, 1" (12 TWISTS/FT) LH LAY.
2. JACKETING TO BE LABELED EVERY 6" (MIN). LABEL TEXT COLOR TO BE YELLOW. LABELING TO BE: "WELDON TECHNOLOGIES, INC V-MUX P/N: OL20-1600-00"
3. SPOOLED WIRE P/N'S:
 OL20-1600-51 = 50 FT
 OL20-1600-22 = 200 FT
 OL20-1600-52 = 500 FT
 OL20-1600-13 = 1000 FT

A	R0405	11/26/02	RELEASE FOR PRODUCTION	ST	PL
REV NO.	ECO NO.	DATE	DESCRIPTION	REV BY	CKD BY
PARTS LIST					
UNLESS OTHERWISE SPECIFIED DIMENSIONS ARE IN INCHES TOLERANCES ARE: X.XXX - ±0.005 X.XX - ±0.020 X.X - ±0.050 ANGLES - ±0.5°		CAD GENERATED DRAWING. DO NOT MANUALLY UPDATE		Weldon Technologies, Inc. V-MUX COMMS CABLE CUSTOM BLUE JACKETED	
APPROVALS		DATE			
DRAWN	ST	11/26/02			
CHECKED	PL	11/26/02			
MATERIAL		QUAL ENG			
FINISH		FILE LOCATION ..\\CAD_LIB\\DWG_LIB\\0\\0\\		SIZE A	DWG. NO. OL20-1600-00
DO NOT SCALE DRAWING		PROJECT NO.		SCALE: NTS	WELDON COMPUTER GRAPHICS SHEET OF