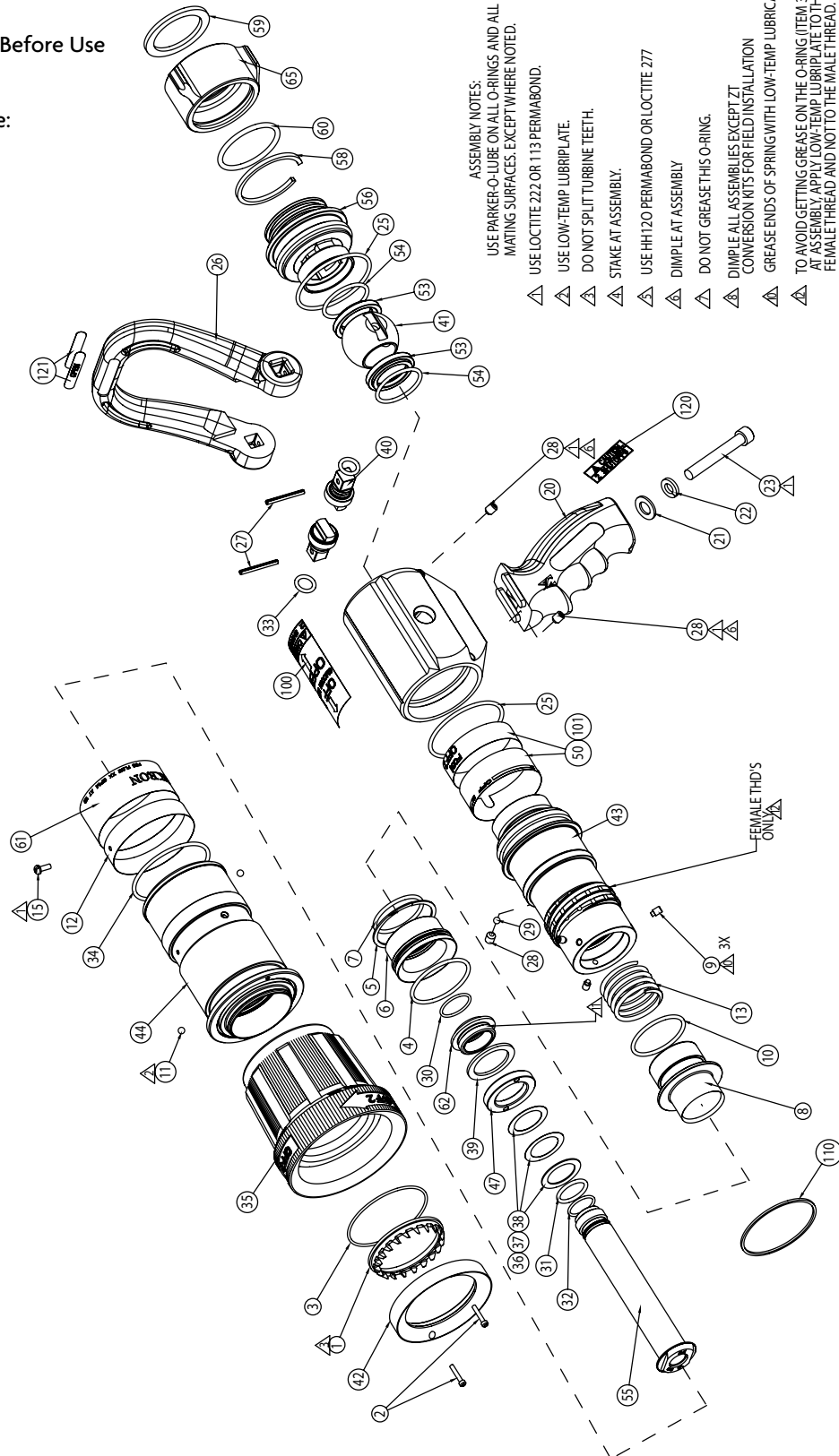


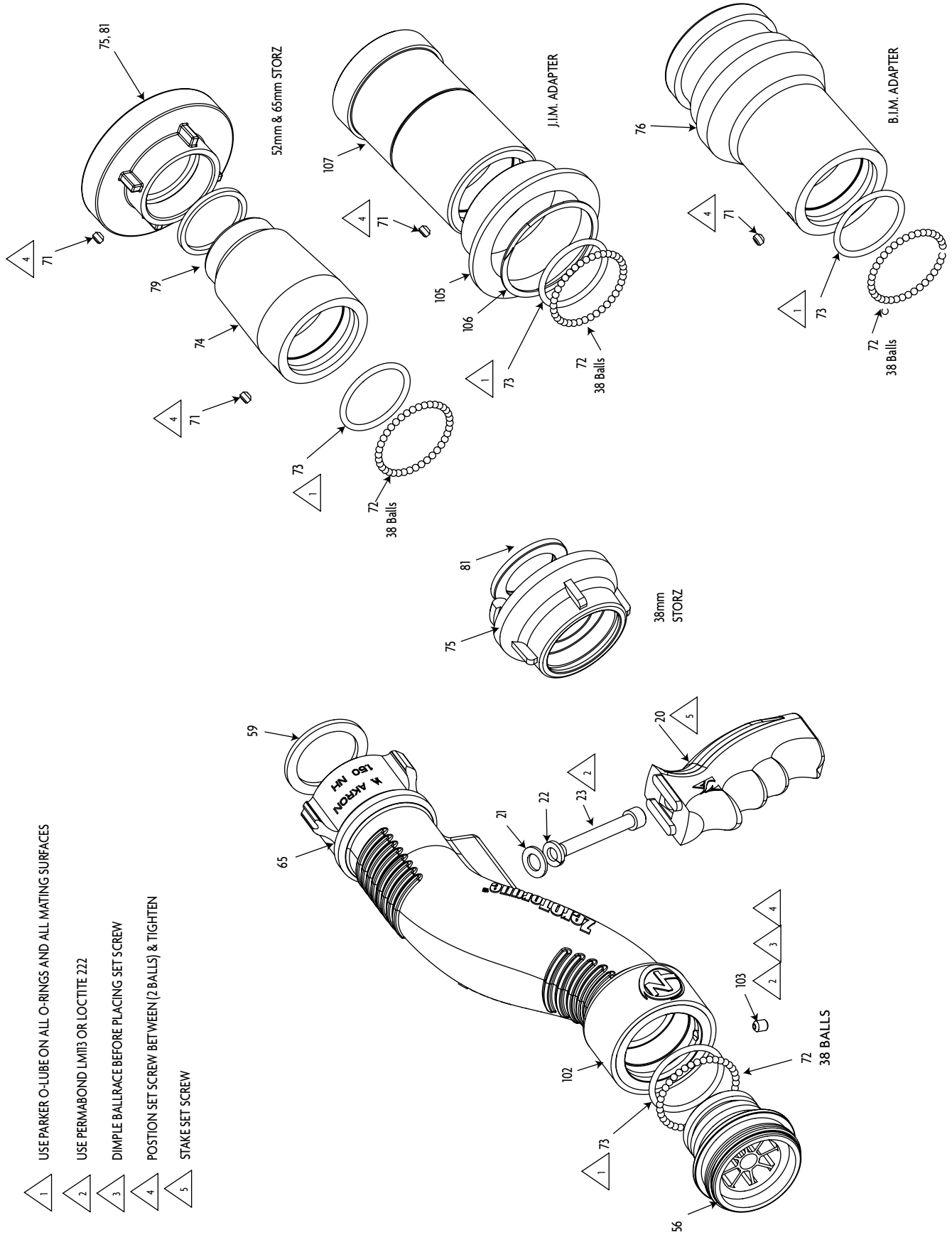
OPERATING NOTES:

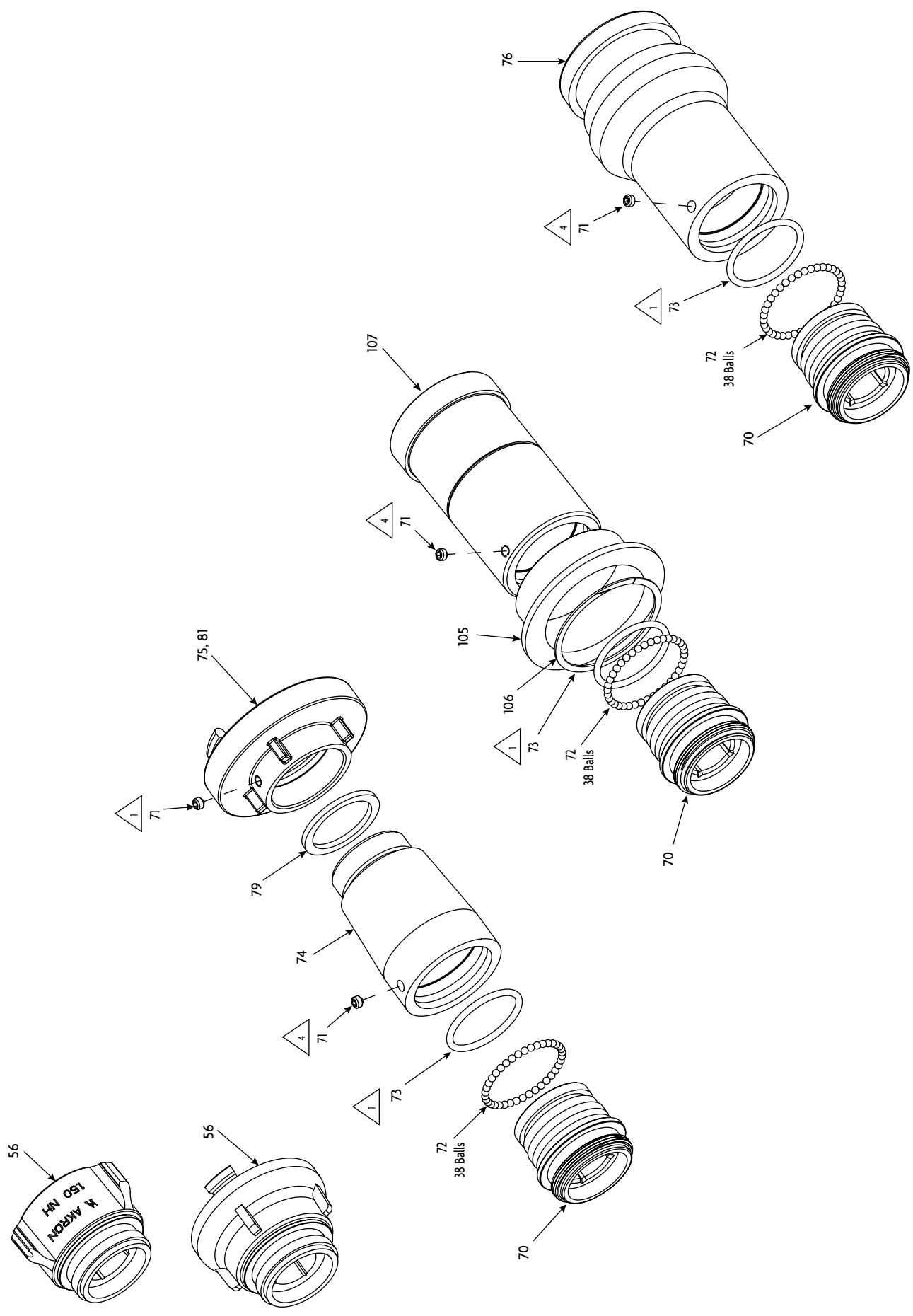
- Read Operating Instructions Before Use
- Open and Close Slowly
- Maximum Operating Pressure:
200 psi (14 bar)



- ASSEMBLY NOTES:**
- USE PARKER O-LUBE ON ALL O-RINGS AND ALL MATING SURFACES, EXCEPT WHERE NOTED.
 - USE LOCTITE 222 OR 113 PERMABOND.
 - USE LOW-TEMP LUBRILATE.
 - DO NOT SPLIT TURBINE TEETH.
 - STAKE AT ASSEMBLY.
 - USE HH120 PERMABOND OR LOCTITE 277
 - DIMPLE AT ASSEMBLY
 - DO NOT GREASE THIS O-RING.
 - DIMPLE ALL ASSEMBLIES EXCEPT ZT CONVERSION KITS FOR FIELD INSTALLATION
 - GREASE ENDS OF SPRING WITH LOW-TEMP LUBRICATE
 - TO AVOID GETTING GREASE ON THE O-RING (ITEM 34) AT ASSEMBLY, APPLY LOW-TEMP LUBRILATE TO THE FEMALE THREAD AND NOT TO THE MALE THREAD.

- 1 USE PARKER O-LUBE ON ALL O-RINGS AND ALL MATING SURFACES
- 2 USE PERMABOND LIMITS OR LOCTITE 222
- 3 DIMPLE BALLRACE BEFORE PLACING SET SCREW
- 4 POSITION SET SCREW BETWEEN (2 BALLS) & TIGHTEN
- 5 STAKE SET SCREW







STYLES 1512, 1513, 1515 and 1520

SaberJet™ Nozzles

TECHNICAL SERVICE PARTS LIST

ITEM NO.	DESCRIPTION	PART NO.	QUANTITY			
			1512	1513	1515	1520
1*	TURBINE TEETH (PLASTIC)	772153	1	1	1	1
2	SCREW SOC HEAD CAP	767094	2	2	2	2
3	O-RING	757309	1	1	1	1
4	O-RING	757268	1	1	1	1
5	RETAINING RING	756106	1	1	1	1
6	THROAT SLEEVE	107944	1	1	1	1
7	O-RING	757048	1	1	1	1
8	THROAT	107963	1	1	1	1
9	SCREW SOC HD FULL DOG	767088	3	3	3	3
10	O-RING	757308	1	1	1	1
11	BALL ST STL 3/16"	704018	2	2	2	2
12	SPRING BAND	704513	1	1	1	1
13	SPRING	769629	1	1	1	1
15	SCREW SLOT PAN HD	765151	1	1	1	1
20	GRIP PISTOL	718233	1	1	1	1
21	WASHER FLAT	784093	1	1	1	1
22	WASHER LOCK	784090	1	1	1	1
23	SCREW 5/16-18 X 2-1/4	763064	1	1	1	1
25*	O-RING	757265	2	2	2	2
26	SHUTTOFF HANDLE	721427	1	1	1	1
27*	ROLL PIN 1/8 X 1/4	744062	2	2	2	2
28	SET SCREW	766015	1	1	1	1
29	BALL NYLON	704031	1	1	1	1
30	O-RING	757052	1	1	1	1
31	O-RING	757105	1	1	1	1
32	O-RING	757042	1	1	1	1
33*	O-RING	757269	2	2	2	2
34	O-RING	757323	1	1	1	1
35	BUMPER	704681	1	1	1	1
39	BAFFLE HEAD GASKET	714214	1	1	1	1
40	TRUNNION	118527	2	2	2	2
41*	CELCON BALL	703567	1	1	1	1
42	RETAINER TURBINE	118523	1	1	1	1
43	NOZZLE BODY	118519	1	1	1	1

ITEM NO.	DESCRIPTION	PART NO.	QUANTITY			
			1512	1513	1515	1520
44	PATTERN SLEEVE	118516	1	1	1	1
45	SH/O BODY	118520	1	1	1	1
47	GASKET RETAINER	118522	1	1	1	1
50	BAND NOZZLE BODY	703600	1	1	1	1
53	SEAT NOZZLE	769245	2	2	2	2
54	O-RING	757281	2	2	2	2
55	3/8" TIP KIT ††	15200025	1	1	1	1
55	1/2" TIP KIT ††	15200026	1	1	1	1
55	5/8" TIP KIT ††	15200027	1	1	1	1
61	BAND IND PATTERN	703604	1	1	1	1
62	BAFFLE HEAD	118521	1	1	1	1
100	BAND OPEN/CLOSED SMOOTH BORE	704732	1	1	1	1
101	BAND OPEN/CLOSED	703599	1	1	1	1
110	BEARING	703948	1	1	1	1

* Parts included in Field Service Kit # 9183

** For other threads order by description and thread size (ODM and TPI) or by Akron Thread Code

† A new pattern band item #61 is required

†† The tip kit includes O-ring Item No. 32

OPTIONAL INLET ADAPTERS

ITEM NO.	DESCRIPTION	PART NO.	QUANTITY			
			1512	1513	1515	1520
56**	1-1/2" SWIVEL SUBASSY (NH)	15200012			1	1
56**	1-1/2" SWIVEL SUBASSY (NPSH)	15200013			1	1
56**	1-1/2" SWIVEL SUBASSY (BSP)	15200014			1	1
56**	1" SWIVEL SUBASSY (NH)	15120011	1	1	1	1
56**	1" SWIVEL SUBASSY (BSP)	15120012	1	1		
59**	1-1/2" GASKET	717042			1	1
59*	1" GASKET	717047	1	1		
72	5/32" BRASS BALL	704030	38	38	38	38
73	O-RING	757256	1	1	1	1
71	SET SCREW	765008	1	1	1	1
76	B.I.M. ADAPTER	117425	1	1	1	1
107	J.I.M. ADAPTER	702181	1	1	1	1
105	PUSH RING	758302	1	1	1	1
106	RETAINING RING	756186	1	1	1	1
75	65mm STORZ FITTING	45150003	1	1	1	1
81	65mm SEAL	769330	1	1	1	1

OPTIONAL ZT HANDLE

ITEM NO.	DESCRIPTION	PART NO.	QUANTITY			
			1512	1513	1515	1520
56	1-1/2" NOZZLE ADAPTER W/SHAPER	119996	1	1	1	1
72	5/32" BALLS	704030	38	38	38	38
73	O-RING	757256	1	1	1	1
103	SET SCREW	765047	1	1	1	1
102	ZT GRIP-SNAP RING	718231	1	1	1	1
102	ZT GRIP-BIM/STORZ	718232	1	1	1	1
21	FLAT WASHER	784093	1	1	1	1
22	LOCK WASHER	784090	1	1	1	1
23	SOCKET HEAD CAP SCREW	763064	1	1	1	1
20	PISTOL GRIP-BLACK [A]	718233	1	1	1	1

OPTIONAL ZT HANDLE WITH SNAP RING

ITEM NO.	DESCRIPTION	PART NO.	QUANTITY			
			1512	1513	1515	1520
56**	1-1/2" SWIVEL (NH) S/A	15320257	1	1	1	1
56**	1-1/2" SWIVEL (NPSH) S/A	15320258	1	1	1	1
56**	1-1/2" SWIVEL (BSP) S/A	15320259	1	1	1	1
56**	38mm STORZ SWIVEL S/A	15320260	1	1	1	1
59	1-1/2" GASKET	717042	1	1	1	1
81	38mm STORZ SEAL	769328	1	1	1	1

OPTIONAL ZT HANDLE WITH BALL BEARING

ITEM NO.	DESCRIPTION	PART NO.	QUANTITY			
			1512	1513	1515	1520
72	5/32" BRASS BALL	704030	38	38	38	38
73	O-RING	757256	1	1	1	1
71	SET SCREW	765008	1	1	1	1
76	B.I.M. ADAPTER	117425	1	1	1	1
107	J.I.M. ADAPTER	702181	1	1	1	1
105	PUSH RING	758302	1	1	1	1
106	RETAINING RING	756186	1	1	1	1
56	ADAPTER STORZ EXTENSION	117426	1	1	1	1
79	STORZ GASKET	714178	1	1	1	1
75	52mm STORZ FITTING	107901	1	1	1	1
81	52mm SEAL	769329	1	1	1	1
75	65mm STORZ FITTING	45150003	1	1	1	1
81	65mm SEAL	769330	1	1	1	1



Tested... Proven... Trusted.

ISO 9001 REGISTERED COMPANY

PHONE: 330.264.5678 or 800.228.1161 | FAX: 330.264.2944 or 800.531.7335 | akronbrass.com

REVISED: 5/18

WARRANTY AND DISCLAIMER: We warrant Akron Brass products for a period of five (5) years after purchase against defects in materials or workmanship. Akron Brass will repair or replace product which fails to satisfy this warranty. Repair or replacement shall be at the discretion of Akron Brass. Products must be promptly returned to Akron Brass for warranty service.

We will not be responsible for: wear and tear; any improper installation, use, maintenance or storage; negligence of the owner or user; repair or modification after delivery; damage; failure to follow our instructions or recommendations; or anything else beyond our control. WE MAKE NO WARRANTIES, EXPRESS OR IMPLIED, OTHER THAN THOSE INCLUDED IN THIS WARRANTY STATEMENT, AND WE DISCLAIM ANY IMPLIED WARRANTY OF MERCHANTABILITY OR FITNESS FOR ANY PARTICULAR PURPOSE. Further, we will not be responsible for any consequential, incidental or indirect damages (including, but not limited to, any loss of profits) from any cause whatsoever. No person has authority to change this warranty.

© Akron Brass Company. 2018 All rights reserved. No portion of this can be reproduced without the express written consent of Akron Brass Company.