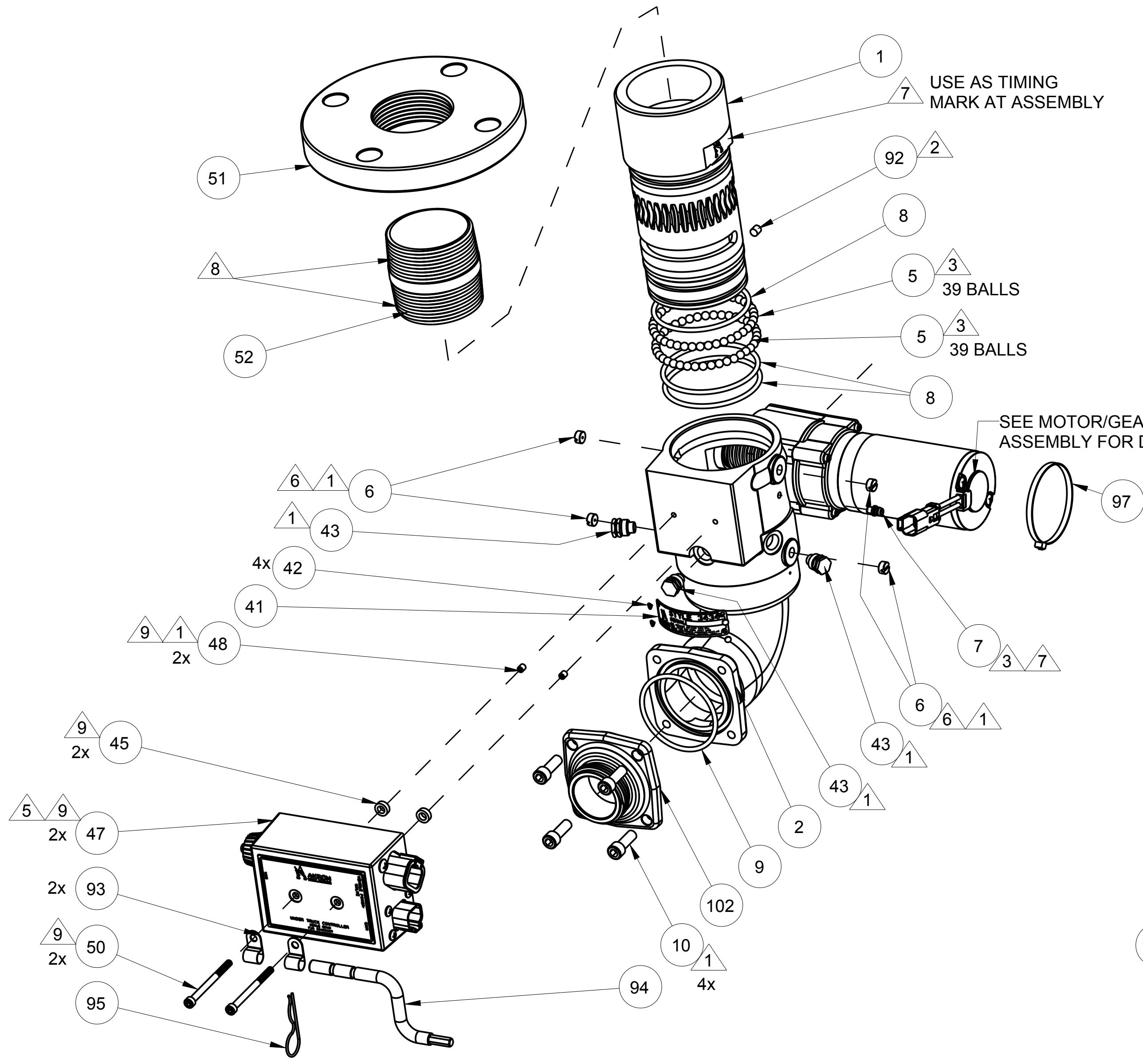




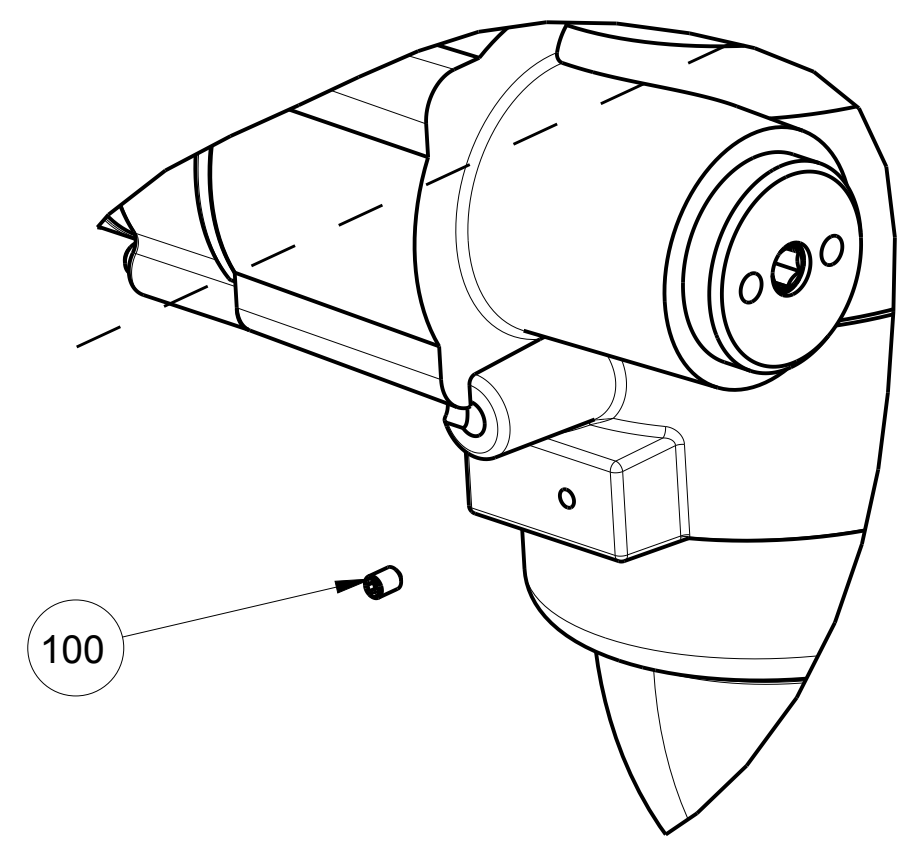
TECHNICAL SERVICE PARTS
STYLE 3434
PRODUCT UNDER TRUCK MONITOR

IF AN ITEM IS NOTED AS "NOT FIELD REPAIRABLE", OR YOU WISH TO RETURN AN ITEM TO AKRON BRASS FOR SERVICE PLEASE GO ONLINE TO, **ONLINEREPAIR.AKRONBRASS.COM**

Chg.	Date
04	01-15
05	08-18



- ASSEMBLY NOTES:**
- USE PARKER O-LUBE ON ALL O-RINGS AND MATING SURFACES UNLESS OTHERWISE NOTED
 - ▲ 1 USE PERMABOND LM113 OR LOCTITE 222
 - ▲ 2 USE LOCTITE 290
 - ▲ 3 USE LOW-TEMP LUBRIPLATE
 - ▲ 4 USE SIKAFLEX-1A SEALANT
 - ▲ 5 GENERIC DEPICTION. SEE BILL OF MATERIALS
 - ▲ 6 ALIGN BALL IN HOLE. TIGHTEN PLUG UNTIL IT TOUCHES BALL. THEN BACK OUT PLUG 1/4-1/2 TURN.
 - ▲ 7 ALIGN TIMING DIMPLE ON JOINT.
 - ▲ 8 FOR THREADS UP TO $\varnothing 2"$. USE PERMABOND LH050 OR LOCTITE 592. FOR THREADS BIGGER THAN $\varnothing 2"$. USE AGRO "TUF-GLIDE THREAD SEALANT WITH PTFE".
 - ▲ 9 AS SPECIFIED.



DETAIL A

500 GPM VERSION

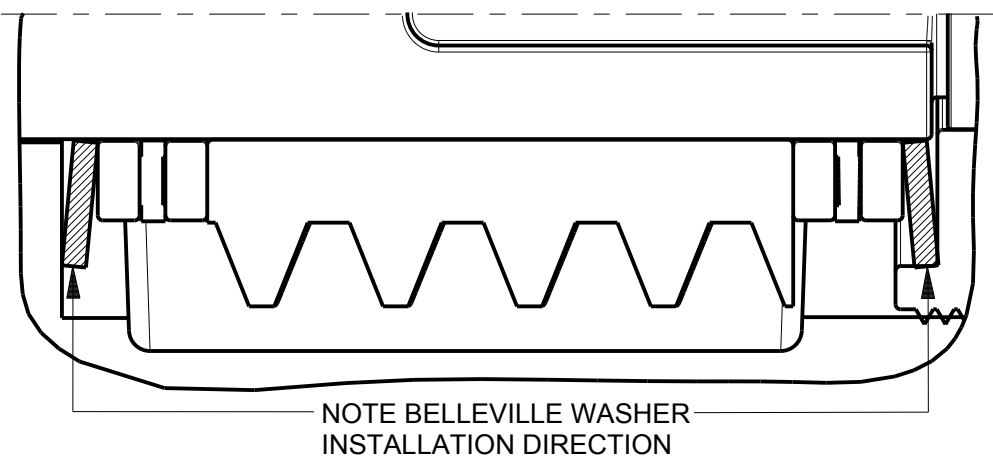
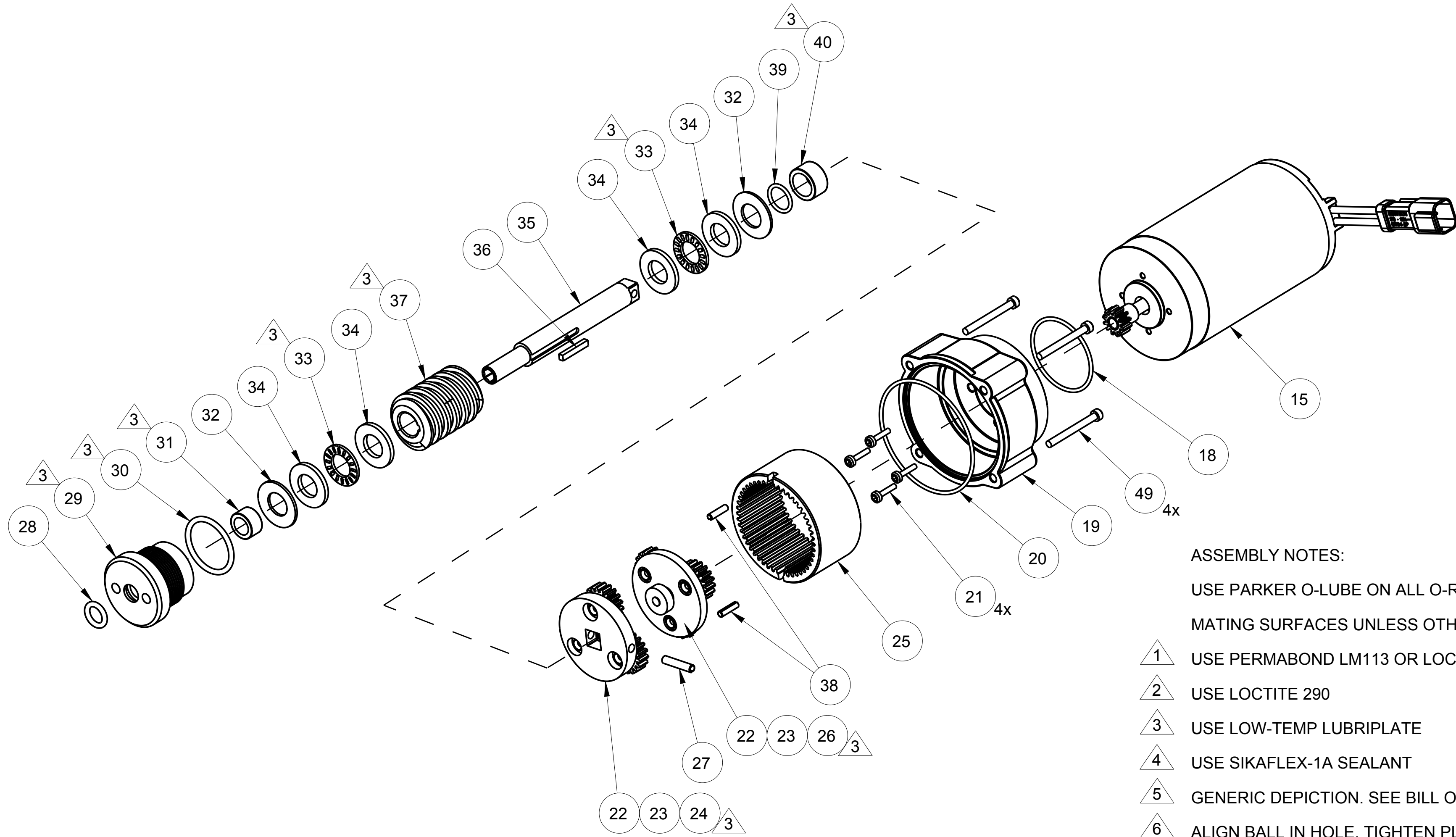
PHONE: 330.264.5678 or 800.228.1161 | FAX: 330.264.2944 or 800.531.7335 | www.akronbrass.com

Parts List Sheet:

124596

WARRANTY AND DISCLAIMER*: We warrant Akron Brass products for a period of five (5) years* after purchase against defects in materials or workmanship. Akron Brass will repair or replace product which fails to satisfy this warranty. Repair or replacement shall be at the discretion of Akron Brass. Products must be promptly returned to Akron Brass for warranty service. We will not be responsible for: wear and tear; any improper installation, use, maintenance or storage; negligence of the owner or user; repair or modification after delivery; failure to follow our instructions or recommendations; or anything else beyond our control. WE MAKE NO WARRANTIES, EXPRESS OR IMPLIED, OTHER THAN THOSE INCLUDED IN THIS WARRANTY STATEMENT, AND WE DISCLAIM ANY IMPLIED WARRANTY OF MERCHANTABILITY OR FITNESS FOR ANY PARTICULAR PURPOSE. Further, we will not be responsible for any consequential, incidental or indirect damages (including, but not limited to, any loss of profits) from any cause whatsoever. No person has authority to change this warranty. *Unless otherwise provided herein. Akron Brass industrial electronic components & the Severe-Duty Monitor have a one (1) year warranty. Select Akron Brass handline nozzles and valves carry a ten (10) year warranty. Scene Star Lights carry a (6) year warranty. Weldon products have a two (2) year warranty from date of manufacture (excluding consumable components). Select Weldon LED products carry a five (5) year warranty. Honda products have the manufacturers' warranty and Akron Brass disclaims any warranty in respect of those products.

© 2016 Akron Brass Company. All rights reserved. No portion of this can be reproduced without the express written consent of the Akron Brass Company.



MOTOR/GEARBOX ASSEMBLY
FOR BOTH ELEVATION AND ROTATION JOINTS

- ASSEMBLY NOTES:
- USE PARKER O-LUBE ON ALL O-RINGS AND MATING SURFACES UNLESS OTHERWISE NOTED
 - 1 USE PERMABOND LM113 OR LOCTITE 222
 - 2 USE LOCTITE 290
 - 3 USE LOW-TEMP LUBRIPLATE
 - 4 USE SIKAFLEX-1A SEALANT
 - 5 GENERIC DEPICTION. SEE BILL OF MATERIALS
 - 6 ALIGN BALL IN HOLE. TIGHTEN PLUG UNTIL IT TOUCHES BALL. THEN BACK OUT PLUG 1/4-1/2 TURN.
 - 7 ALIGN TIMING DIMPLE ON JOINT.
 - 8 FOR THREADS UP TO ϕ 2". USE PERMABOND LH050 OR LOCTITE 592. FOR THREADS BIGGER THAN ϕ 2". USE AGRO "TUF-GLIDE THREAD SEALANT WITH PTFE".
 - 9 AS SPECIFIED.

PHONE: 330.264.5678 or 800.228.1161 | FAX: 330.264.2944 or 800.531.7335 | www.akronbrass.com

Parts List Sheet:

124596

WARRANTY AND DISCLAIMER*: We warrant Akron Brass products for a period of five (5) years* after purchase against defects in materials or workmanship. Akron Brass will repair or replace product which fails to satisfy this warranty. Repair or replacement shall be at the discretion of Akron Brass. Products must be promptly returned to Akron Brass for warranty service. We will not be responsible for: wear and tear; any improper installation, use, maintenance or storage; negligence of the owner or user; repair or modification after delivery; failure to follow our instructions or recommendations; or anything else beyond our control. WE MAKE NO WARRANTIES, EXPRESS OR IMPLIED, OTHER THAN THOSE INCLUDED IN THIS WARRANTY STATEMENT, AND WE DISCLAIM ANY IMPLIED WARRANTY OF MERCHANTABILITY OR FITNESS FOR ANY PARTICULAR PURPOSE. Further, we will not be responsible for any consequential, incidental or indirect damages (including, but not limited to, any loss of profits) from any cause whatsoever. No person has authority to change this warranty. *Unless otherwise provided herein. Akron Brass industrial electronic components & the Severe-Duty Monitor have a one (1) year warranty. Select Akron Brass handline nozzles and valves carry a ten (10) year warranty. Scene Star Lights carry a (6) year warranty. Weldon products have a two (2) year warranty from date of manufacture (excluding consumable components). Select Weldon LED products carry a five (5) year warranty. Honda products have the manufacturers' warranty and Akron Brass disclaims any warranty in respect of those products.

© 2016 Akron Brass Company. All rights reserved. No portion of this can be reproduced without the express written consent of the Akron Brass Company.



TECHNICAL SERVICE PARTS

STYLE 3434

PRODUCT UNDER TRUCK MONITOR

IF AN ITEM IS NOTED AS "NOT FIELD REPAIRABLE", OR YOU WISH TO RETURN AN ITEM TO AKRON BRASS FOR SERVICE PLEASE GO ONLINE TO, **ONLINEREPAIR.AKRONBRASS.COM**

Chg.	Date
04	01-15
05	08-18

Find		Description	Item	QTY
1		BASE FLANGE 2.5" NPT	124716	1
2		ELBOW INLET	118207	1
5	A	BALL BRASS 1/4"OD	-	74
6		PLUG SWIVELL 3/8 -24 X 3/16"	742023	4
7		FITTING GREASE 3/16 PRESSFIT	713191	1
8		O-RING 2-233	757065	3
9		O-RING 2-230	757110	1
10		SCREW SOCKET HEAD CAP 5/16-18 x 7/8"	767048	4
15		MOTOR S/A GEAR 12V U2	34911027	1
15		MOTOR S/A GEAR 24V U2	34911028	1
18		O-RING 2-029	757056	1
19		HOUSING GEARBOX	109320	1
20		O-RING 2-036	757312	1
21		SCREW SOCKET HEAD CAP W/PATCH 6-32 x 1/2"	765052	4
22	B	RIVET SHORT	-	6
23	B	GEAR PLANET 18 TOOTH	-	6
24	B	CARRIER	-	1
25		GEAR INTERNAL	718164	1
26	B	PLATE CARRIER	-	1
27	B	PIN GROOVE	741056	1
28		O-RING 2-110	757295	1
29		CAP BEARING	116465	1
30		O-RING 2-121	757329	1
31		BEARING	704393	1
32		SPRING BELLEVILLE	769276	2
33		BEARING NEEDLE	703453	2
34		WASHER THRUST	784121	4
35		SHAFT	769697	1
36		KEY SPECIAL	727044	1
37		GEAR WORM	718273	1
38		PIN ROLL 1/8 x 1/2	744288	2
39		O-RING 2-014	757041	1

Find		Description	Item	QTY
40		BEARING ROLLER	704395	1
41		PLATE ID	745258	1
42		NAIL GRIP	736052	4
43		STOP	769498	1
44		PLUG 1/2-20 x 1/2"	744337	2
45	*	SPACER (OPTIONAL)	768261	2
47	*	CONTROLLER (OPTIONAL)	60400007	1
48		SET SCREW 10-24 x 1/4"	765025	2
49		SCREW SOCKET HEAD CAP 6-32 x 1 3/8"	767132	4
50	*	SCREW SOCKET HEAD CAP #10-24 x 2-1/2" (OPTIONAL)	763079	2
51		2.5" 150# FLAT FACE FLANGE	712283	1
52		2.5" NPT PIPE NIPPLE	735089	1
92		MAGNET 1/4DIA 1/4 LG	731081	1
93		CLAMP CABLE	807139	2
94		HANDLE	721291	1
95		CLIP HAIRPIN	744339	1
97		WHITE ZIP TIE	773106	1
100		SCREW SOCKET HEAD CUP POINT SET #8-32 x 1/4"	765164	1
102		ADAPTER MALE	124564	1
A		KIT OF 50 BALLS, 1/4" BRASS	109041	
B		GEAR REPAIR KIT	34400209	

* ITEMS 45, 47, & 50 SHOULD BE ORDERED TOGETHER WHEN ORDERING CONTROLLER (ITEM 47)

PHONE: 330.264.5678 or 800.228.1161 | FAX: 330.264.2944 or 800.531.7335 | www.akronbrass.com

Parts List Sheet:

124596

WARRANTY AND DISCLAIMER*: We warrant Akron Brass products for a period of five (5) years* after purchase against defects in materials or workmanship. Akron Brass will repair or replace product which fails to satisfy this warranty. Repair or replacement shall be at the discretion of Akron Brass. Products must be promptly returned to Akron Brass for warranty service. We will not be responsible for: wear and tear; any improper installation, use, maintenance or storage; negligence of the owner or user; repair or modification after delivery; failure to follow our instructions or recommendations; or anything else beyond our control. WE MAKE NO WARRANTIES, EXPRESS OR IMPLIED, OTHER THAN THOSE INCLUDED IN THIS WARRANTY STATEMENT, AND WE DISCLAIM ANY IMPLIED WARRANTY OF MERCHANTABILITY OR FITNESS FOR ANY PARTICULAR PURPOSE. Further, we will not be responsible for any consequential, incidental or indirect damages (including, but not limited to, any loss of profits) from any cause whatsoever. No person has authority to change this warranty. *Unless otherwise provided herein. Akron Brass industrial electronic components & the Severe-Duty Monitor have a one (1) year warranty. Select Akron Brass handline nozzles and valves carry a ten (10) year warranty. Scene Star Lights carry a (6) year warranty. Weldon products have a two (2) year warranty from date of manufacture (excluding consumable components). Select Weldon LED products carry a five (5) year warranty. Honda products have the manufacturers' warranty and Akron Brass disclaims any warranty in respect of those products.

© 2016 Akron Brass Company. All rights reserved. No portion of this can be reproduced without the express written consent of the Akron Brass Company.

D47494