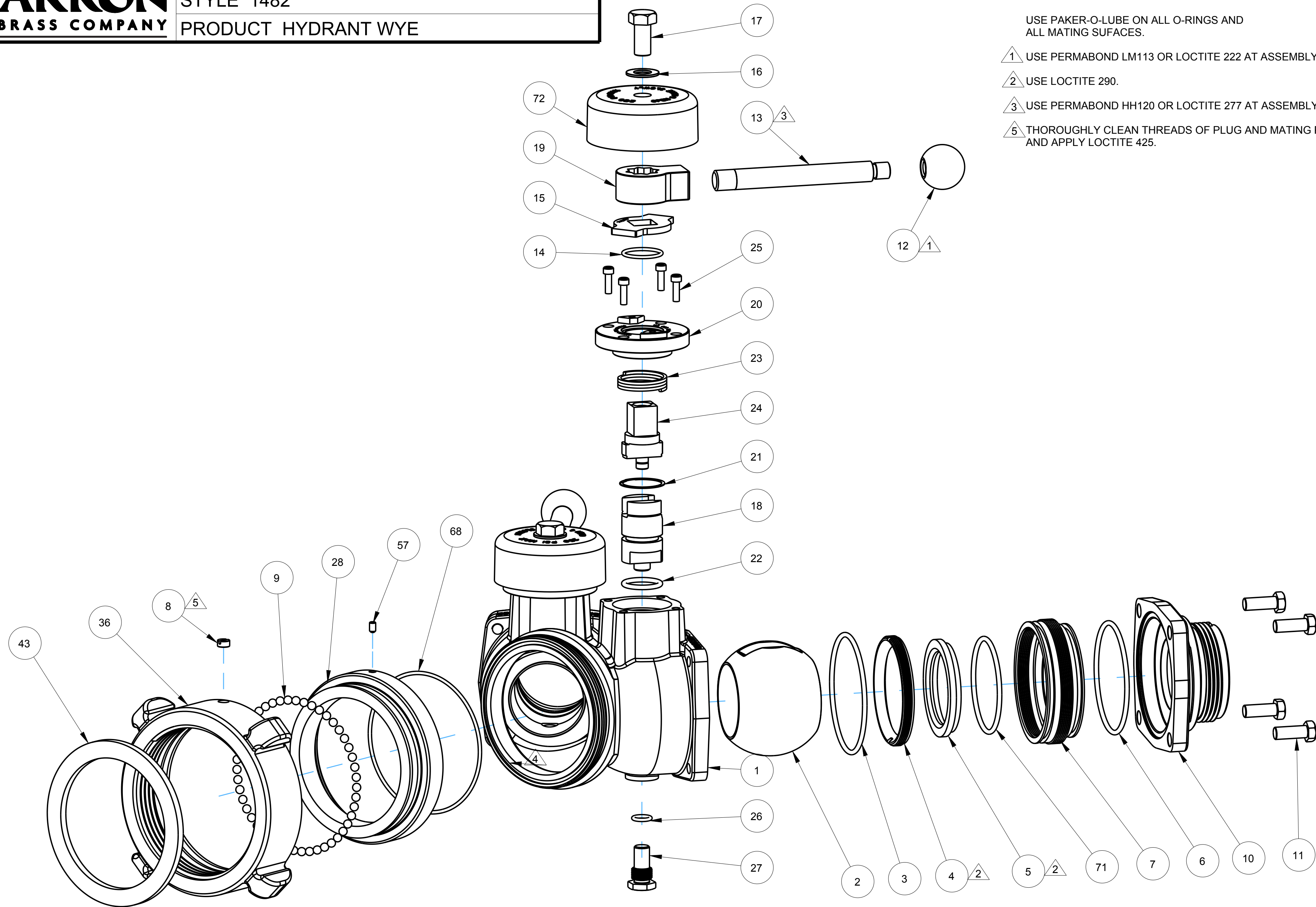


ASSEMBLY NOTES:

USE PAKER-O-LUBE ON ALL O-RINGS AND ALL MATING SURFACES.

- 1 USE PERMABOND LM113 OR LOCTITE 222 AT ASSEMBLY.
- 2 USE LOCTITE 290.
- 3 USE PERMABOND HH120 OR LOCTITE 277 AT ASSEMBLY.
- 5 THOROUGHLY CLEAN THREADS OF PLUG AND MATING PART AND APPLY LOCTITE 425.



PHONE: 330.264.5678 or 800.228.1161 | FAX: 330.264.2944 or 800.531.7335 | www.akronbrass.com

Parts List Sheet:

125071

WARRANTY AND DISCLAIMER*: We warrant Akron Brass products for a period of five (5) years* after purchase against defects in materials or workmanship. Akron Brass will repair or replace product which fails to satisfy this warranty. Repair or replacement shall be at the discretion of Akron Brass. Products must be promptly returned to Akron Brass for warranty service. We will not be responsible for: wear and tear; any improper installation, use, maintenance or storage; negligence of the owner or user; repair or modification after delivery; failure to follow our instructions or recommendations; or anything else beyond our control. WE MAKE NO WARRANTIES, EXPRESS OR IMPLIED, OTHER THAN THOSE INCLUDED IN THIS WARRANTY STATEMENT, AND WE DISCLAIM ANY IMPLIED WARRANTY OF MERCHANTABILITY OR FITNESS FOR ANY PARTICULAR PURPOSE. Further, we will not be responsible for any consequential, incidental or indirect damages (including, but not limited to, any loss of profits) from any cause whatsoever. No person has authority to change this warranty. *Unless otherwise provided herein. Akron Brass industrial electronic components & the Severe-Duty Monitor have a one (1) year warranty. Select Akron Brass handline nozzles and valves carry a ten (10) year warranty. Weldon products have a two (2) year warranty from date of manufacture (excluding consumable components). Select Weldon LED products carry a five (5) year warranty. Honda products have the manufacturers' warranty and Akron Brass disclaims any warranty in respect of those products.



TECHNICAL SERVICE PARTS

STYLE 1482

PRODUCT HYDRANT WYE

Chg.	Date
06	3-12
07	3-15

Find		Description	Item	QTY
1		BODY SIAM	117577	1
2	**	BALL CELCON	703083	2
3	**	O-RING 2-238	757036	2
4		RING RETAINING	758115	2
5	**	SEAT	769160	2
6	**	O-RING 2-236	757035	2
7		SEAT HOUSING	104877	2
8		PLUG	742023	1
9	*	BALL ST. STL. 1/4" DIA. (2 1/2" SWIVEL)	703051	38
9	*	BALL ST. STL. 1/4" DIA. (3" SWIVEL)	703051	46
9	*	BALL ST. STL. 1/4" DIA. (4" SWIVEL)	703051	56
9	*	BALL ST. STL. 1/4" DIA. (4 1/2" SWIVEL)	703051	66
9	*	BALL ST. STL. 1/4" DIA. (5" SWIVEL)	703051	71
9	*	BALL ST. STL. 1/4" DIA. (6" SWIVEL)	703051	84
10	***	MALE ADAPTER NH CAST	115465	2
10	***	MALE ADAPTER NH CHROME	101884	2
11		SCREW HEX HEAD CAP 3/8-16 X 1	761016	8
12		BALL PLASTIC	703080	2
13		ROD HANDLE	109193	2
14		O-RING 0240-0	757284	2
15		PLATE HANDLE STOP	742073	2
16		WASHER FLAT	784086	2
17		SCREW HEX HEAD CAP 1/2-13 X 1	761045	2
18		TRUNNION BALL	773322	2
19		HUB HANDLE	721278	2
20		PLATE RETAINING	742089	2
21		RING RETAINING	758154	2
22	**	O-RING 2-214	757010	2
23		SPRING SQUARE TORQUE-LOCK	768210	2
24		HANDLE TRUNNION	772142	2
25		SCREW SOC HEAD CAP 10-24 X 5/8	765028	8
26	**	O-RING 2-111	757198	2
27		TRUNNION THREADED BRASS	773094	2

Find		Description	Item	QTY
28		ADAPTER INLET 2 1/2"	102031	1
28		ADAPTER INLET 3" CAST	104891	1
28		ADAPTER INLET 3" CHROME	117476	1
28		ADAPTER INLET 4" CAST	104889	1
28		ADAPTER INLET 4" CHROME	102033	1
28		ADAPTER INLET 4 1/2" CAST	105238	1
28		ADAPTER INLET 4 1/2" CHROME	102034	1
28		ADAPTER INLET 5" CAST	104892	1
28		ADAPTER INLET 5" CHROME	102037	1
28		ADAPTER INLET 6" CAST	104890	1
28		ADAPTER INLET 6" CHROME	102035	1

* KIT OF 50 BALLS: 123074

** PARTS INCLUDED IN FIELD SERVICE KIT #91270001 (2 REQUIRED)

*** FOR OTHER THREADS ORDER BY DESCRIPTION AND THREAD SIZE (ODM AND TPI) OR BY AKRON THREAD CODE

PHONE: 330.264.5678 or 800.228.1161 | FAX: 330.264.2944 or 800.531.7335 | www.akronbrass.com

Parts List Sheet:

125071

WARRANTY AND DISCLAIMER*: We warrant Akron Brass products for a period of five (5) years* after purchase against defects in materials or workmanship. Akron Brass will repair or replace product which fails to satisfy this warranty. Repair or replacement shall be at the discretion of Akron Brass. Products must be promptly returned to Akron Brass for warranty service. We will not be responsible for: wear and tear; any improper installation, use, maintenance or storage; negligence of the owner or user; repair or modification after delivery; failure to follow our instructions or recommendations; or anything else beyond our control. WE MAKE NO WARRANTIES, EXPRESS OR IMPLIED, OTHER THAN THOSE INCLUDED IN THIS WARRANTY STATEMENT, AND WE DISCLAIM ANY IMPLIED WARRANTY OF MERCHANTABILITY OR FITNESS FOR ANY PARTICULAR PURPOSE. Further, we will not be responsible for any consequential, incidental or indirect damages (including, but not limited to, any loss of profits) from any cause whatsoever. No person has authority to change this warranty. *Unless otherwise provided herein. Akron Brass industrial electronic components & the Severe-Duty Monitor have a one (1) year warranty. Select Akron Brass handline nozzles and valves carry a ten (10) year warranty. Weldon products have a two (2) year warranty from date of manufacture (excluding consumable components). Select Weldon LED products carry a five (5) year warranty. Honda products have the manufacturers' warranty and Akron Brass disclaims any warranty in respect of those products.

©Premier Farnell Corporation. 2012 All rights reserved. No portion of this can be reproduced without the express written consent of Premier Farnell Corporation



TECHNICAL SERVICE PARTS

STYLE 1482

PRODUCT HYDRANT WYE

Chg.	Date
06	3-12
07	3-15

Find		Description	Item	QTY
36	***	SWIVEL RL 2 1/2" NH WIRE BRUSH	101325	1
36	***	SWIVEL LH 2 1/2" NH CAST	116188	1
36	***	SWIVEL LH 2 1/2" NH CHROME	100103	1
36	***	SWIVEL RL 2 1/2" NH CHROME	117847	1
36	***	SWIVEL RL 3" NH CAST	100062	1
36	***	SWIVEL LH 3" NH CAST	100098	1
36	***	SWIVEL RL 3" NH CHROME	100066	1
36	***	SWIVEL LH 4" NH CAST	100099	1
36	***	SWIVEL LH 4" NH CHROME	100106	1
36	***	SWIVEL RL 4" NH CAST	100063	1
36	***	SWIVEL RL 4" NH CHROME	100068	1
36	***	SWIVEL LH 4 1/2" NH CAST	100100	1
36	***	SWIVEL RL 4 1/2" NH CAST	116444	1
36	***	SWIVEL LH 4 1/2" NH CHROME	100107	1
36	***	SWIVEL LH 5" NH CAST	100101	1
36	***	SWIVEL LH 5" NH CHROME	100108	1
36	***	SWIVEL RL 5" NH CAST	100065	1
36	***	SWIVEL LH 6" NH CAST	100102	1
36	***	SWIVEL LH 6" NH CHROME	100109	1
36	***	SWIVEL RL 6" NH CAST	116613	1
43		GASKET SWIVEL 2 1/2"	717043	1
43		GASKET SWIVEL 2 1/2"	714019	1
43		GASKET SWIVEL 3"	714022	1
43		GASKET SWIVEL 4"	714024	1
43		GASKET SWIVEL 4 1/2"	714025	1
43		GASKET SWIVEL 5"	714026	1
43		GASKET SWIVEL 6"	714028	1
57		SCREW SOC HEAD SET CUP PT 10-24 X 5/16	765040	1
68		O-RING 2-156	757080	1
71	**	O-RING 2-232	757045	2
72		COVER HANDLE	707369	2

* KIT OF 50 BALLS: 123074

** PARTS INCLUDED IN FIELD SERVICE KIT #91270001 (2 REQUIRED)

*** FOR OTHER THREADS ORDER BY DESCRIPTION AND THREAD SIZE (ODM AND TPI) OR BY AKRON THREAD CODE

PHONE: 330.264.5678 or 800.228.1161 | FAX: 330.264.2944 or 800.531.7335 | www.akronbrass.com

Parts List Sheet:

125071

WARRANTY AND DISCLAIMER*: We warrant Akron Brass products for a period of five (5) years* after purchase against defects in materials or workmanship. Akron Brass will repair or replace product which fails to satisfy this warranty. Repair or replacement shall be at the discretion of Akron Brass. Products must be promptly returned to Akron Brass for warranty service. We will not be responsible for: wear and tear; any improper installation, use, maintenance or storage; negligence of the owner or user; repair or modification after delivery; failure to follow our instructions or recommendations; or anything else beyond our control. WE MAKE NO WARRANTIES, EXPRESS OR IMPLIED, OTHER THAN THOSE INCLUDED IN THIS WARRANTY STATEMENT, AND WE DISCLAIM ANY IMPLIED WARRANTY OF MERCHANTABILITY OR FITNESS FOR ANY PARTICULAR PURPOSE. Further, we will not be responsible for any consequential, incidental or indirect damages (including, but not limited to, any loss of profits) from any cause whatsoever. No person has authority to change this warranty. *Unless otherwise provided herein. Akron Brass industrial electronic components & the Severe-Duty Monitor have a one (1) year warranty. Select Akron Brass handline nozzles and valves carry a ten (10) year warranty. Weldon products have a two (2) year warranty from date of manufacture (excluding consumable components). Select Weldon LED products carry a five (5) year warranty. Honda products have the manufacturers' warranty and Akron Brass disclaims any warranty in respect of those products.

©Premier Farnell Corporation. 2012 All rights reserved. No portion of this can be reproduced without the express written consent of Premier Farnell Corporation