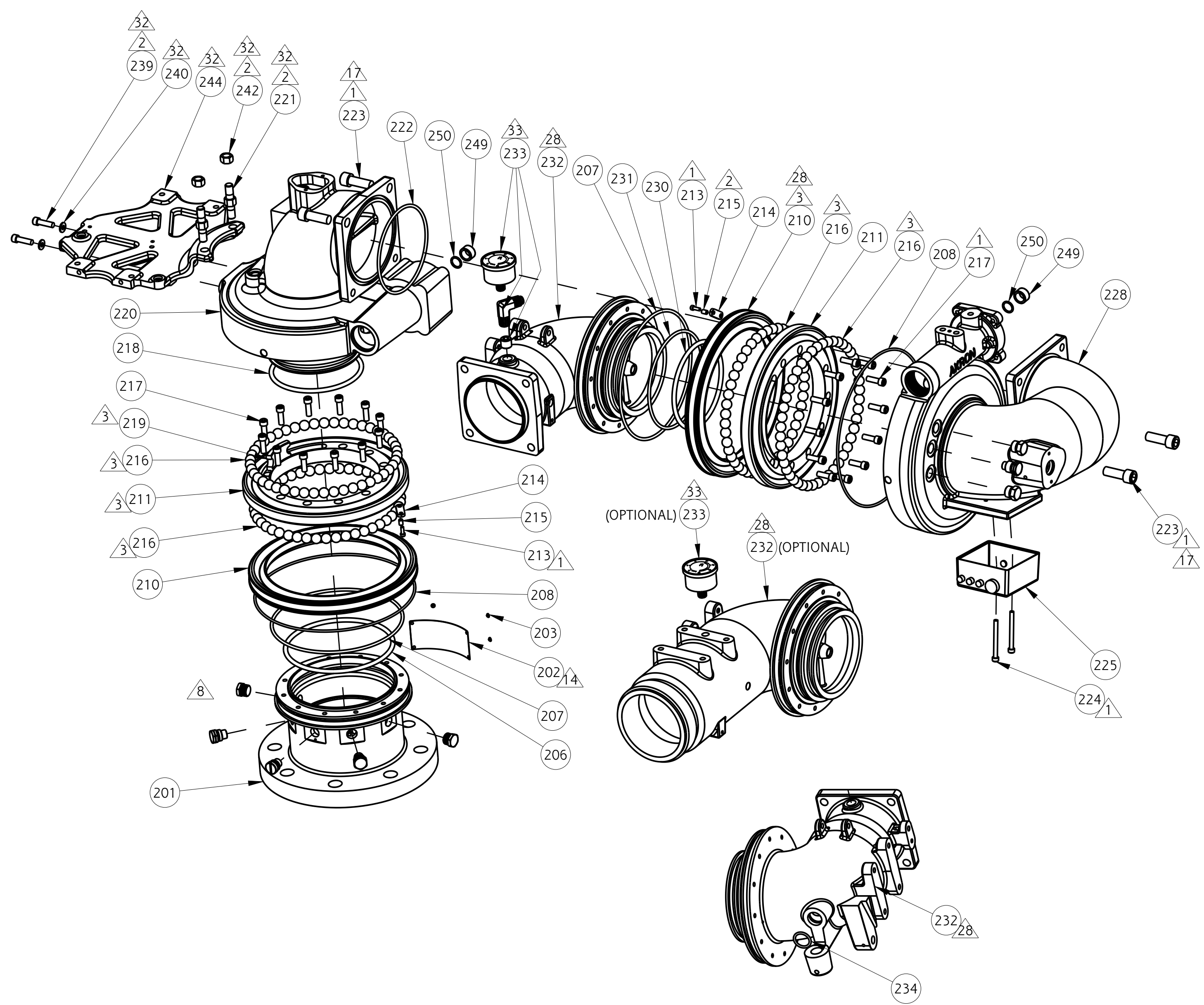




TECHNICAL SERVICE PARTS  
 STYLE 3356  
 PRODUCT TRIDENT BASE SUB-ASSMBLY

IF AN ITEM IS NOTED AS "NOT FIELD REPAIRABLE", OR YOU WISH TO RETURN AN ITEM TO AKRON BRASS FOR SERVICE PLEASE GO ONLINE TO, [ONLINEREPAIR.AKRONBRASS.COM](http://ONLINEREPAIR.AKRONBRASS.COM)

Chg.	Date
08	04-16
09	08-19



- ASSEMBLY NOTES:
- USE PARKER O-LUBE ON ALL O-RINGS AND MATING SURFACES UNLESS OTHERWISE NOTED.
  - 1 USE PERMABOND LM113 OR LOCTITE 222.
  - 2 USE PERMABOND HH120 OR LOCTITE 277.
  - 3 USE LUBRIPLATE LOW-TEMP GREASE.
  - 8 SEE PAGE 2 FOR STOP LOCATION CHARTS FOR BOTH ELEVATION AND ROTATION.
  - 13 ALIGN TIMING DIMPLE ON BOTH JOINTS PRIOR TO INSTALLING POSITION SENSORS. ADJUST SENSOR OUTPUT TO  $2.50 \pm 0.01V$ .
  - 14 CENTER NAMEPLATE BETWEEN.
  - 16 TIGHTEN 22-28 FT LBS.
  - 17 TIGHTEN 32-38 FT LBS.
  - 28 ALIGN ELEVATION OF THE OUTLET ELBOW CENTER LINE WITH THE TIMING DIMPLE ON THE RING GEAR.
  - 31 THOROUGHLY COAT SOCKETS FOR FEEDBACK SHAFTS WITH NEVER SEEZ MARINERS CHOICE.
  - 32 WHEN SPECIFIED.
  - 33 USE PERMABOND LH050 OR LOCTITE 592 PIPE SEALANT.

PHONE: 330.264.5678 or 800.228.1161 | FAX: 330.264.2944 or 800.531.7335 | [www.akronbrass.com](http://www.akronbrass.com)

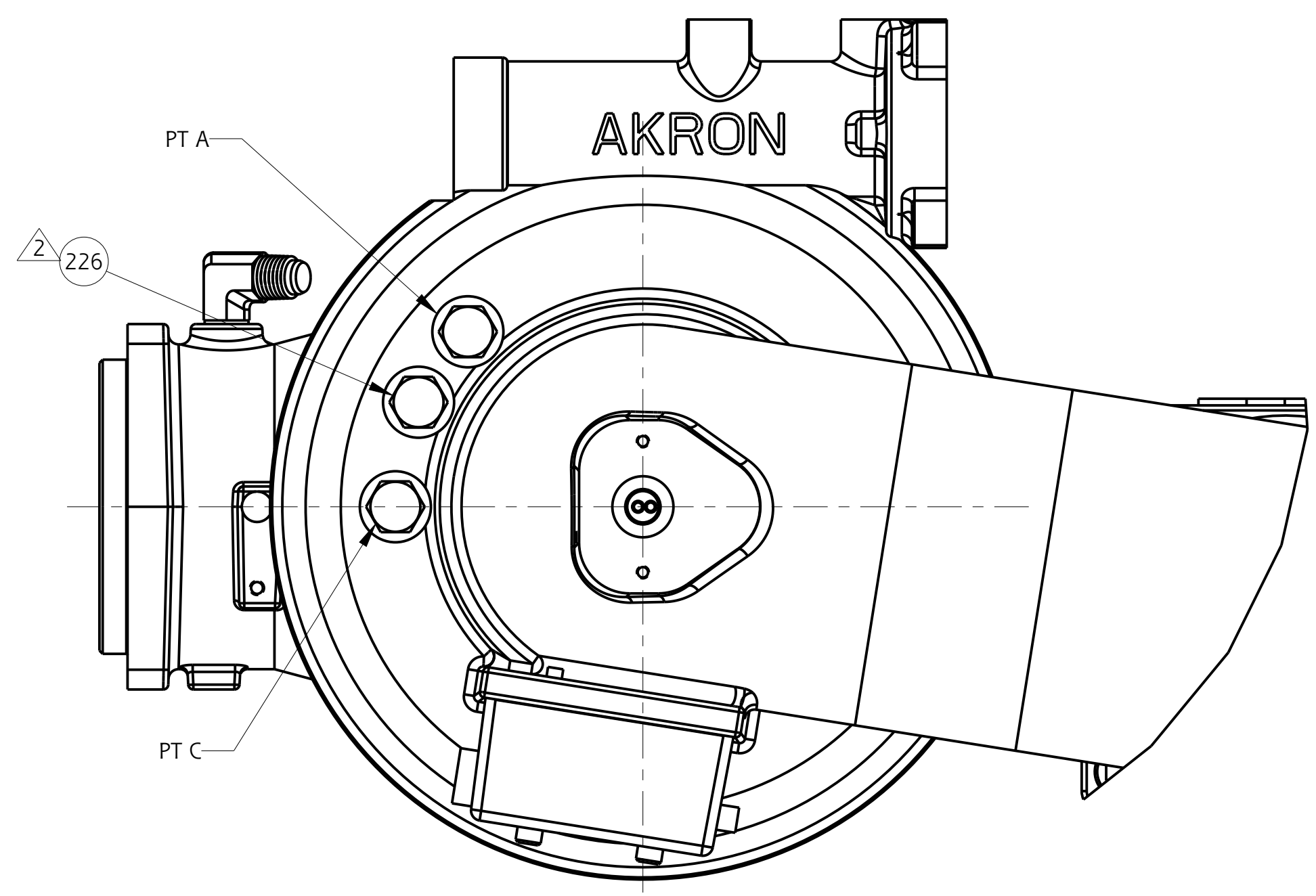
WARRANTY AND DISCLAIMER\*: We warrant Akron Brass products for a period of five (5) years\* after purchase against defects in materials or workmanship. Akron Brass will repair or replace product which fails to satisfy this warranty. Repair or replacement shall be at the discretion of Akron Brass. Products must be promptly returned to Akron Brass for warranty service. We will not be responsible for: wear and tear; any improper installation, use, maintenance or storage; negligence of the owner or user; repair or modification after delivery; failure to follow our instructions or recommendations; or anything else beyond our control. WE MAKE NO WARRANTIES, EXPRESS OR IMPLIED, OTHER THAN THOSE INCLUDED IN THIS WARRANTY STATEMENT, AND WE DISCLAIM ANY IMPLIED WARRANTY OF MERCHANTABILITY OR FITNESS FOR ANY PARTICULAR PURPOSE. Further, we will not be responsible for any consequential, incidental or indirect damages (including, but not limited to, any loss of profits) from any cause whatsoever. No person has authority to change this warranty. \*Unless otherwise provided herein. Akron Brass industrial electronic components & the Severe-Duty Monitor have a one (1) year warranty. Select Akron Brass handline nozzles and valves carry a ten (10) year warranty. Scene Star Lights carry a (6) year warranty. Weldon products have a two (2) year warranty from date of manufacture (excluding consumable components). Select Weldon LED products carry a five (5) year warranty. Honda products have the manufacturers' warranty and Akron Brass disclaims any warranty in respect of those products.

© 2016 Akron Brass Company. All rights reserved. No portion of this can be reproduced without the express written consent of the Akron Brass Company.

Parts List Sheet:  
 124339

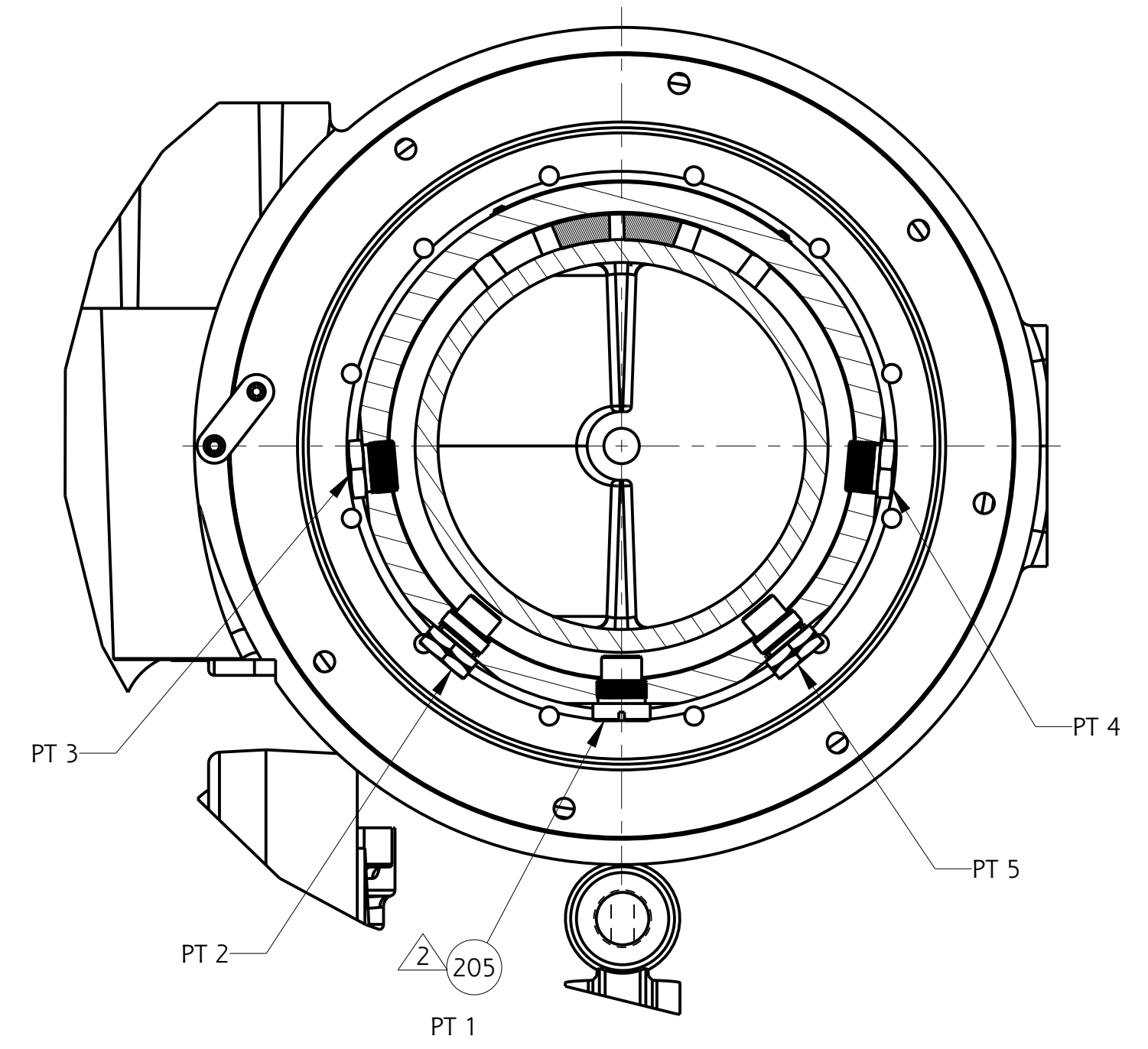
D45619

ELEVATION



ADJUSTABLE ELEVATION STOP LOCATIONS <span style="float: right;">(226) <sup>2</sup>▲</span>	
ANGLE OF ELEVATION	STOP LOCATIONS
-30° , +70° (STD)	PT B (PERMANENT STOP)
-10° , +70°	PT A
-30° , +45°	PT C
ALL OTHER LOCATIONS TO BE PLUGGED WITH	(227)

ROTATION



PT 1 IS TO HAVE A PERMANENT STOP (205) <sup>2</sup>▲

ADJUSTABLE ROTATION STOP LOCATIONS <span style="float: right;">(212) <sup>1</sup>▲</span>	
ANGLE OF ROTATION	STOP LOCATIONS
355°	NONE
275° (AS SHOWN)	PT 2 & PT 5
185°	PT 3 & PT 4
ALL OTHER LOCATIONS TO BE PLUGGED WITH	(204)



TECHNICAL SERVICE PARTS

STYLE 3356

PRODUCT TRIDENT BASE SUB-ASSMBLY

IF AN ITEM IS NOTED AS "NOT FIELD REPAIRABLE", OR YOU WISH TO RETURN AN ITEM TO AKRON BRASS FOR SERVICE PLEASE GO ONLINE TO, **ONLINEREPAIR.AKRONBRASS.COM**

Chg.	Date
08	04-16
09	08-19

Find	Description	Item	QTY W/BACKET (Find 244)	QTY W/O BRACKET (Find 244)
201	BASE INLET	122066	1	1
201	BASE INLET DN150 PN16 FLANGE (OPTIONAL)	123622	1	1
201	BASE INLET DN100 (OPTIONAL)	124551	1	1
202	PLATE ID (LOW PROFILE BASE)	744515	1	1
202	PLATE ID (DN 150 BASE)	744512	1	1
203	NAIL GRIP	736052	4	4
204	PLUG	744432	2	2
205	STOP PERMANENT	769752	1	1
206	O-RING 2-355	757453	1	1
207	O-RING 2-260	757386	2	2
208	O-RING 2-171	757435	2	2
210	RING BALL RETAINER	120095	2	2
211	GEAR ELEVATION	121593	2	2
212	STOP	769755	2	2
213	SCREW SOCKET HEAD CAP 6-32 x 3/8"	765175	2	2
214	KEEPER	120137	2	2
215	SCREW SOCKET HEAD CUP POINT SET 10-24 x 5/16"	765040	2	2
216	* BALL BRASS 1/2"	-	184	184
217	SCREW SOCKET HEAD CAP 1/4 -20 x 3/4"	765030	24	24
218	O-RING 2-348	757376	1	1
219	SLIDER	122127	1	1
220	ELBOW INLET LESS BRACKET MOUNTING HOLES	123383	-	1
221	STUD	770383	2	-
222	O-RING 2-245	757225	1	1
223	SCREW SOCKET HEAD CAP 7/16-14 x 1-1/4"	765207	4	4
224	SCREW SOCKET HEAD CAP 10-24 x 2"	763077	2	2
225	HARNESS WIRING U2 8' PICTORIAL	721538	-	1
225	HARNESS WIRING U2 HFM, POSITIVE FEEDBACK	721628	1	-
225	HARNESS WIRING W/POSITIVE FEEDBACK 3'	721712	1	1
228	ELBOW MIDDLE WITH JOINT	121592	1	1
230	O-RING 2-347	757446	1	1
231	O-RING 2-249	757075	1	1
232	ELBOW OUTLET (STANDARD)	121933	1	1
232	ELBOW OUTLET (OPTIONAL)	124194	1	1
233	PARKER ELBOW (FOR UNITS WITH PRESSURE GAUGE)	710166	1	1
233	PLUG SOCKET HEAD PIPE (FOR UNITS WITHOUT PRESSURE GAUGE)	744011	1	1
233	GAUGE 0-2500 KPA / 0-350 PSI (OPTIONAL)	718322	1	1
233	GAUGE 0-2.5 MPA / 0-25 BAR (OPTIONAL)	718323	1	1
234	O-RING 2-116	757113	1	1
239	SCREW SOCKET HEAD CAP 1/4-20 x 7/8"	767157	2	-
240	WASHER FLAT #10	784098	2	-
242	NUT HEX 3/8-16	734079	2	-
244	BRACKET ELECTRICAL	123084	1	-
249	BEARING ROLLER NEEDLE	704395	2	2
250	O-RING 2-014	757041	2	2

\* KIT OF 50 BALLS: 116252

PHONE: 330.264.5678 or 800.228.1161 | FAX: 330.264.2944 or 800.531.7335 | [www.akronbrass.com](http://www.akronbrass.com)

Parts List Sheet:

124339

WARRANTY AND DISCLAIMER\*: We warrant Akron Brass products for a period of five (5) years\* after purchase against defects in materials or workmanship. Akron Brass will repair or replace product which fails to satisfy this warranty. Repair or replacement shall be at the discretion of Akron Brass. Products must be promptly returned to Akron Brass for warranty service. We will not be responsible for: wear and tear; any improper installation, use, maintenance or storage; negligence of the owner or user; repair or modification after delivery; failure to follow our instructions or recommendations; or anything else beyond our control. WE MAKE NO WARRANTIES, EXPRESS OR IMPLIED, OTHER THAN THOSE INCLUDED IN THIS WARRANTY STATEMENT, AND WE DISCLAIM ANY IMPLIED WARRANTY OF MERCHANTABILITY OR FITNESS FOR ANY PARTICULAR PURPOSE. Further, we will not be responsible for any consequential, incidental or indirect damages (including, but not limited to, any loss of profits) from any cause whatsoever. No person has authority to change this warranty. \*Unless otherwise provided herein. Akron Brass industrial electronic components & the Severe-Duty Monitor have a one (1) year warranty. Select Akron Brass handline nozzles and valves carry a ten (10) year warranty. Scene Star Lights carry a (6) year warranty. Weldon products have a two (2) year warranty from date of manufacture (excluding consumable components). Select Weldon LED products carry a five (5) year warranty. Honda products have the manufacturers' warranty and Akron Brass disclaims any warranty in respect of those products.

© 2016 Akron Brass Company. All rights reserved. No portion of this can be reproduced without the express written consent of the Akron Brass Company.

D45619