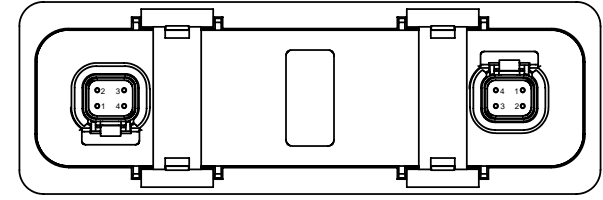
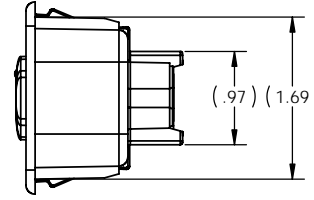
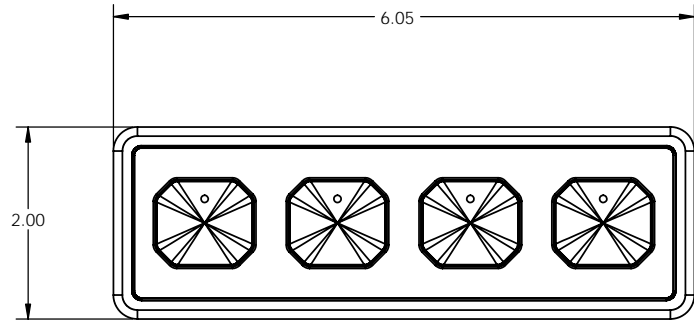


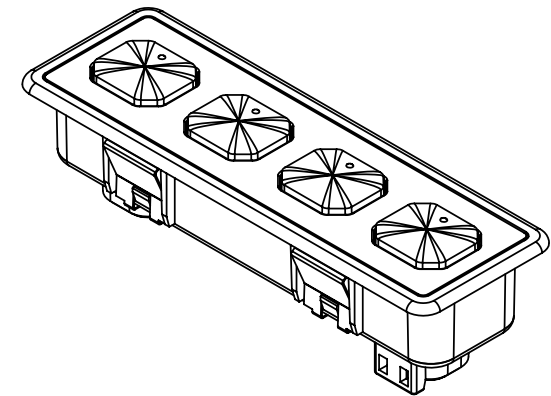
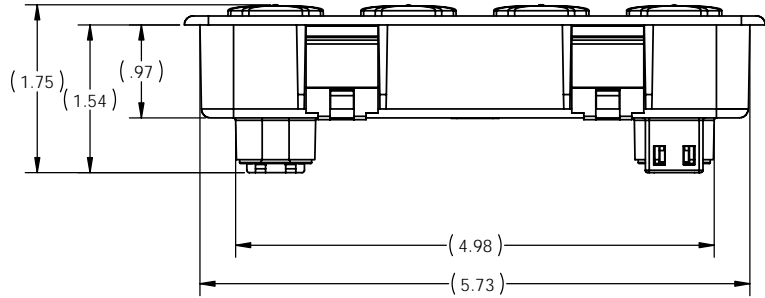
THIS DRAWING AND ALL INFORMATION CONTAINED HEREIN IS THE PROPERTY OF WELDON TECHNOLOGIES, INC. AND MAY NOT BE COPIED, REPRODUCED, OR DEVELOPED TO UNAUTHORIZED PERSONS WITHOUT THE EXPRESS WRITTEN CONSENT OF WELDON TECHNOLOGIES, INC. AS IT IS BEING PROVIDED SOLELY FOR THE CONVENIENCE OF THE USER AND SHALL BE RETURNED TO WELDON TECHNOLOGIES, INC. UPON REQUEST.

REV		REV	DESCRIPTION	BY	DATE	APPROV
A	PROCES	RELEASE		ST	12/29/07	ST
B	0773	REVISED PCB ASSEMBLY		ST	7/30/07	ST

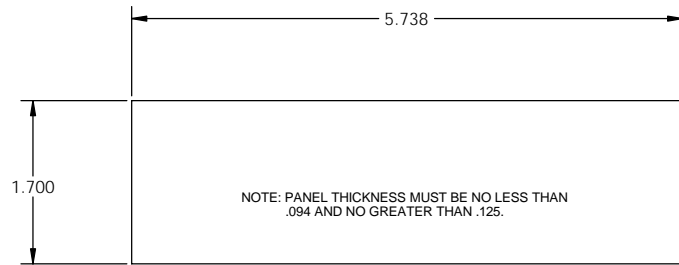


REAR VIEW SHOWING S-MUX CONNECTORS & PIN NUMBERS

S-MUX CONNECTOR PIN ASSIGNMENTS MATING CONNECTOR / DEUTSCH - DTM06-4S	
PIN NUMBER	DESCRIPTION
1	S-MUX COMM A
2	S-MUX COMM B
3	GROUND
4	+12VDC



ISOMETRIC VIEW



NOTE: PANEL THICKNESS MUST BE NO LESS THAN .094 AND NO GREATER THAN .125.

REQUIRED PANEL CUTOUT DIMENSIONS FOR SNAP-IN MOUNTING

NOTES:

- GIVEN THE CUTOUT DIMENSIONS SHOWN ABOVE, MODULES MAY BE STACKED VERTICALLY NO CLOSER THAN 2.20 INCHES CENTER-TO-CENTER AND NO CLOSER THAN 6.45 INCHES CENTER-TO-CENTER HORIZONTALLY.
- CLEAR, ACRYLIC, KEY CAPS ARE SHIPPED WITH EACH MODULE TO ALLOW FOR THE INSTALLATION OF CUSTOM KEY LEGENDS. BLANK SHEETS OF LASER-PRINTABLE, KEY LEGENDS ARE AVAILABLE (WELDON P/N 0020-1736-00) WITH 88 DIE-CUT LEGENDS PER SHEET. AFTER THE APPROPRIATE LEGEND IS INSTALLED, SIMPLY PUSH THE CLEAR, KEY CAP OVER THE KEY.
- MATING CONNECTOR IS A DEUTSCH P/N DTM06-4S.
- SPECIFICATIONS: OPERATING TEMPERATURE RANGE IS -40°C TO +85°C
OPERATING VOLTAGE RANGE IS +9 VDC TO +16 VDC.
- MODULE-TO-MODULE WIRING IS ACCOMPLISHED WITH S-MUX CABLE, WELDON P/N 0L40-2088-00. FOR INFORMATION ON CABLE CONSTRUCTION SEE WELDON DOCUMENT C0L40-1950-00.

UNLESS OTHERWISE SPECIFIED DIMENSIONS ARE IN INCHES TOLERANCES ARE: X.XXX - #1/100 X.XX - #1/200 X.X - #1/500 ANGLES - #1/2	CAD GENERATED DRAWING. DO NOT MANUALLY RESIZE	WELDON TECHNOLOGIES, INC.	
	APPROVALS	DATE	
	DRAWN	GD	3/23/05
	CHECKED	ST	9/21/06
MATERIAL:	MFG ENG		
FINISH:	QUAL ENG		
DO NOT SCALE DRAWING	PROJECT NO.	00131	SCALE 1:1
	PART NO.	C6311-0400-00	REV. B
	WELDON COMPUTER GRAPHICS		SHEET 1 OF 1