



TECHNICAL SERVICE PARTS

STYLE 8840

PRODUCT 4" DSCH VALVE

IF AN ITEM IS NOTED AS "NOT FIELD REPAIRABLE", OR YOU WISH TO RETURN AN ITEM TO AKRON BRASS FOR SERVICE PLEASE GO ONLINE TO, ONLINEREPAIR.AKRONBRASS.COM

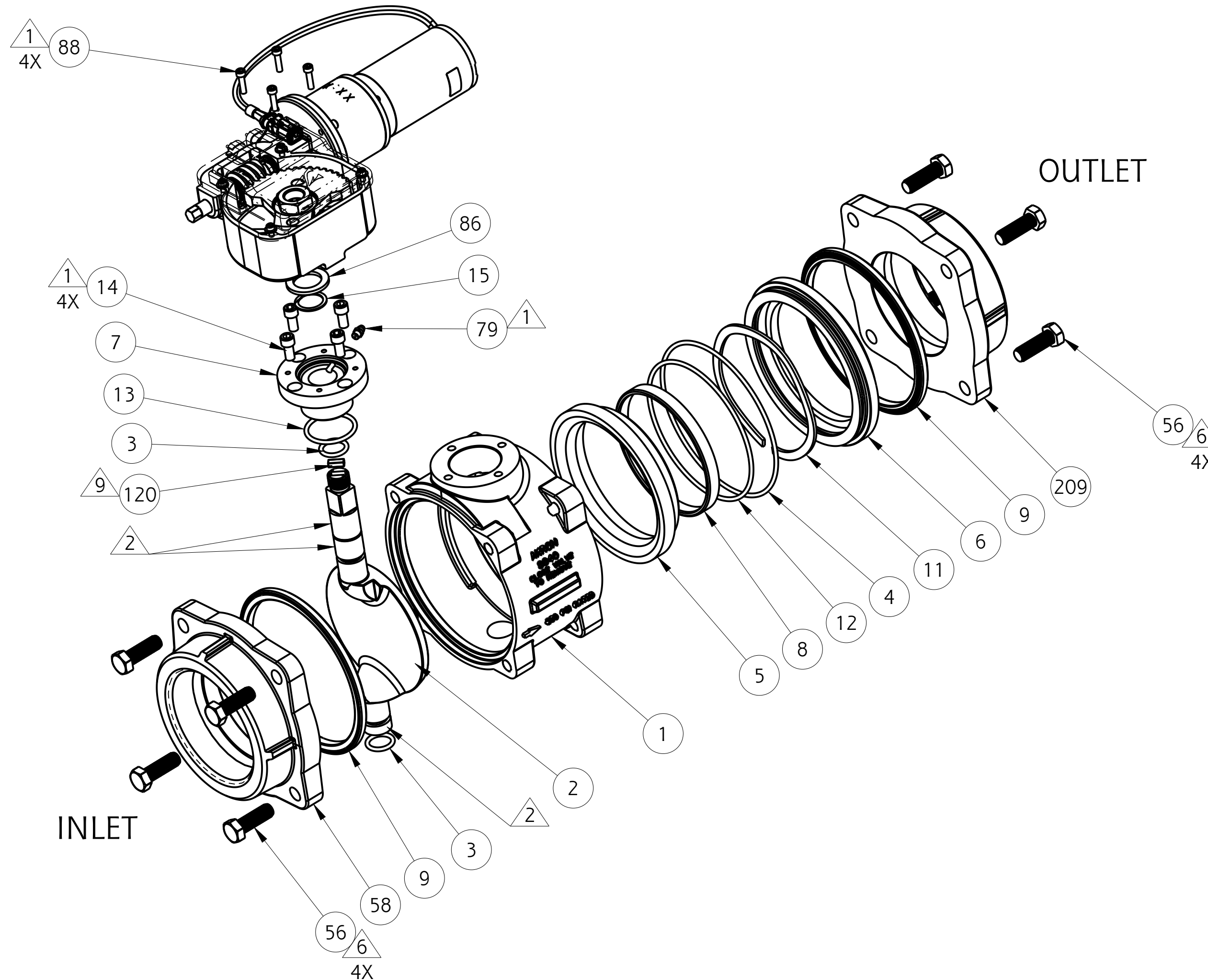
Chg.	Date
05	06-19
06	10-19

ASSEMBLY NOTES:

USE PARKER-O-LUBE ON ALL O-RINGS AND ALL MATING SURFACES.

- ① USE PERMABOND LM113 OR LOCTITE 222.
- ② USE LOW-TEMP LUBRIPLATE.
- ③ USE PERMABOND HH120 OR LOCTITE 277.
- ④ DIMPLE AT ASSEMBLY.
- ⑤ USE PERMALOCK LH050 OR LOCTITE 592 PIPE SEALANT.
- ⑥ TORQUE TO 60-70 FT-LBS.
- ⑦ TORQUE TO 50 FT-LBS.
- ⑨ SECURE WITH PERMABOND 200.

VALVE SHOWN IN CLOSED POSITION WITH P1-S ADAPTERS.



PHONE: 330.264.5678 or 800.228.1161 | FAX: 330.264.2944 or 800.531.7335 | www.akronbrass.com

WARRANTY AND DISCLAIMER*: We warrant Akron Brass products for a period of five (5) years* after purchase against defects in materials or workmanship. Akron Brass will repair or replace product which fails to satisfy this warranty. Repair or replacement shall be at the discretion of Akron Brass. Products must be promptly returned to Akron Brass for warranty service. We will not be responsible for: wear and tear; any improper installation, use, maintenance or storage; negligence of the owner or user; repair or modification after delivery; failure to follow our instructions or recommendations; or anything else beyond our control. WE MAKE NO WARRANTIES, EXPRESS OR IMPLIED, OTHER THAN THOSE INCLUDED IN THIS WARRANTY STATEMENT, AND WE DISCLAIM ANY IMPLIED WARRANTY OF MERCHANTABILITY OR FITNESS FOR ANY PARTICULAR PURPOSE. Further, we will not be responsible for any consequential, incidental or indirect damages (including, but not limited to, any loss of profits) from any cause whatsoever. No person has authority to change this warranty. *Unless otherwise provided herein. Akron Brass industrial electronic components & the Severe-Duty Monitor have a one (1) year warranty. Select Akron Brass handline nozzles and valves carry a ten (10) year warranty. Scene Star Lights carry a (6) year warranty. Weldon products have a two (2) year warranty from date of manufacture (excluding consumable components). Select Weldon LED products carry a five (5) year warranty. Honda products have the manufacturers' warranty and Akron Brass disclaims any warranty in respect of those products.

Parts List Sheet:

123247



TECHNICAL SERVICE PARTS

STYLE 8840
PRODUCT 4" DSCH VALVE

IF AN ITEM IS NOTED AS "NOT FIELD REPAIRABLE", OR YOU WISH TO RETURN AN ITEM TO AKRON BRASS FOR SERVICE PLEASE GO ONLINE TO, ONLINEREPAIR.AKRONBRASS.COM

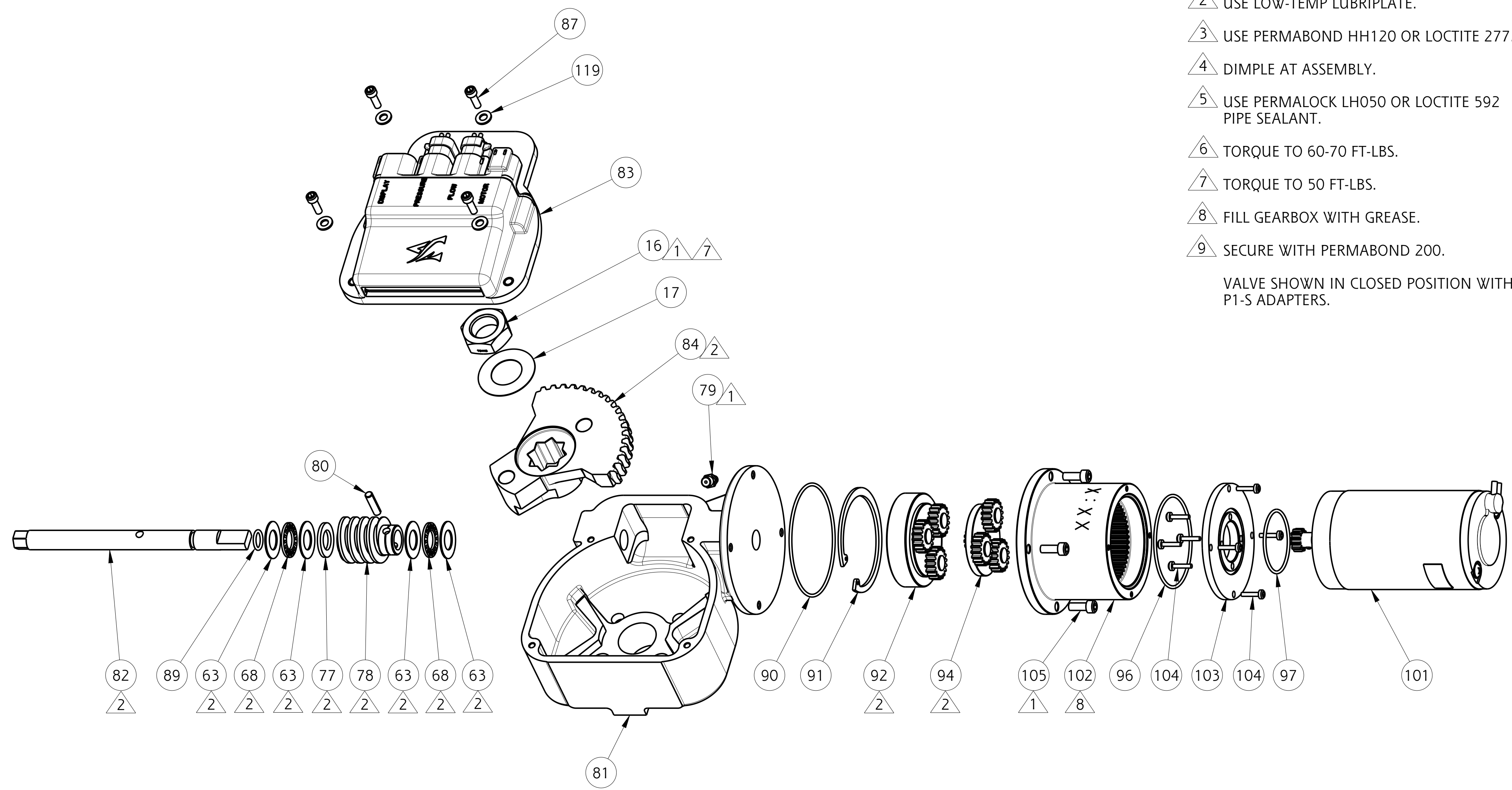
Chg.	Date
05	06-19
06	10-19

ASSEMBLY NOTES:

USE PARKER-O-LUBE ON ALL O-RINGS AND ALL MATING SURFACES.

- 1 USE PERMABOND LM113 OR LOCTITE 222.
- 2 USE LOW-TEMP LUBRIPLATE.
- 3 USE PERMABOND HH120 OR LOCTITE 277.
- 4 DIMPLE AT ASSEMBLY.
- 5 USE PERMALOCK LH050 OR LOCTITE 592 PIPE SEALANT.
- 6 TORQUE TO 60-70 FT-LBS.
- 7 TORQUE TO 50 FT-LBS.
- 8 FILL GEARBOX WITH GREASE.
- 9 SECURE WITH PERMABOND 200.

VALVE SHOWN IN CLOSED POSITION WITH P1-S ADAPTERS.



PHONE: 330.264.5678 or 800.228.1161 | FAX: 330.264.2944 or 800.531.7335 | www.akronbrass.com

WARRANTY AND DISCLAIMER*: We warrant Akron Brass products for a period of five (5) years* after purchase against defects in materials or workmanship. Akron Brass will repair or replace product which fails to satisfy this warranty. Repair or replacement shall be at the discretion of Akron Brass. Products must be promptly returned to Akron Brass for warranty service. We will not be responsible for: wear and tear; any improper installation, use, maintenance or storage; negligence of the owner or user; repair or modification after delivery; failure to follow our instructions or recommendations; or anything else beyond our control. WE MAKE NO WARRANTIES, EXPRESS OR IMPLIED, OTHER THAN THOSE INCLUDED IN THIS WARRANTY STATEMENT, AND WE DISCLAIM ANY IMPLIED WARRANTY OF MERCHANTABILITY OR FITNESS FOR ANY PARTICULAR PURPOSE. Further, we will not be responsible for any consequential, incidental or indirect damages (including, but not limited to, any loss of profits) from any cause whatsoever. No person has authority to change this warranty. *Unless otherwise provided herein. Akron Brass industrial electronic components & the Severe-Duty Monitor have a one (1) year warranty. Select Akron Brass handline nozzles and valves carry a ten (10) year warranty. Scene Star Lights carry a (6) year warranty. Weldon products have a two (2) year warranty from date of manufacture (excluding consumable components). Select Weldon LED products carry a five (5) year warranty. Honda products have the manufacturers' warranty and Akron Brass disclaims any warranty in respect of those products.

© 2016 Akron Brass Company. All rights reserved. No portion of this can be reproduced without the express written consent of the Akron Brass Company.

Parts List Sheet:
123247

D46594



TECHNICAL SERVICE PARTS

STYLE 8840

PRODUCT 4" DSCH VALVE

IF AN ITEM IS NOTED AS "NOT FIELD REPAIRABLE", OR YOU WISH TO RETURN AN ITEM TO AKRON BRASS FOR SERVICE PLEASE GO ONLINE TO, **ONLINEREPAIR.AKRONBRASS.COM**

Chg.	Date
05	06-19
06	10-19

Find	Description	Item	QTY
1	BODY VALVE	118153	1
2	A DISK VALVE	-	1
3	O-RING 2-210	757226	2
4	B O-RING 2-255	757338	1
5	B SEAT	769797	1
6	RETAINER SEAT	118156	1
7	BUSHING TRUNNION	118157	1
8	RING SEAT	118158	1
9	B SEAL FLANGE	768309	2
11	WASHER SPRING	784138	1
12	B O-RING 2-252	757371	1
13	O-RING 2-222	757006	1
14	SCREW SOCKET HEAD CAP 5/16-18 x 5/8"	767016	4
15	RING RETAINING	758185	1
16	NUT HEX 3/4-16	734116	1
17	WASHER	784231	1
56	SCREW HEX HEAD CAP 1/2-13 x 1-1/2"	765140	8
58	* ADAPTER	-	1
63	WASHER THRUST	784111	4
68	BEARING NEEDLE	703453	2
77	WASHER THRUST	784103	1
78	WORM	784190	1
79	FITTING GREASE	713034	2
80	PIN ROLL	744068	1
81	HOUSING GEAR	721717	1
82	SHAFT DRIVE	769510	1
83	CONTROLLER VALVE	124647	1
84	GEAR SECTOR	126667	1
86	WASHER THRUST	784104	1
87	SCREW SOCKET HEAD CAP #8-32 x 1/2"	765155	4
88	SCREW SOCKET HEAD CAP #10-24 x 3/4"	767086	4
89	O-RING 2-012	757282	1

Find	Description	Item	QTY
90	O-RING 2-039	757263	1
91	RING RETAINING	758172	1
92	OUTPUT CARRIER GEAR ASSEMBLY	88400840	1
94	CARRIER GEAR ASSEMBLY	88400841	1
96	O-RING 2-035	757280	1
97	O-RING 2-029	757056	1
101	MOTOR 12V WITH DEUTSCH PLUG	86255008	1
102	HOUSING SPEED REDUCER	118161	1
103	PLATE MOTOR FACE	745100	1
104	SCREW SOCKET HEAD CAP #6-32 x 1/2"	765052	8
105	SCREW SOCKET HEAD CAP #10-24 x 1/2"	763038	4
119	WASHER #8	784123	4
120	A MAGNET	-	1
209	* ADAPTER	-	1
A	VALVE DISK WITH MAGNET	88400881	
B	FIELD SERVICE KIT	91660001	

* SEE CATALOG FOR AVAILABLE ADAPTERS

PHONE: 330.264.5678 or 800.228.1161 | FAX: 330.264.2944 or 800.531.7335 | www.akronbrass.com

Parts List Sheet:

123247

WARRANTY AND DISCLAIMER*: We warrant Akron Brass products for a period of five (5) years* after purchase against defects in materials or workmanship. Akron Brass will repair or replace product which fails to satisfy this warranty. Repair or replacement shall be at the discretion of Akron Brass. Products must be promptly returned to Akron Brass for warranty service. We will not be responsible for: wear and tear; any improper installation, use, maintenance or storage; negligence of the owner or user; repair or modification after delivery; failure to follow our instructions or recommendations; or anything else beyond our control. WE MAKE NO WARRANTIES, EXPRESS OR IMPLIED, OTHER THAN THOSE INCLUDED IN THIS WARRANTY STATEMENT, AND WE DISCLAIM ANY IMPLIED WARRANTY OF MERCHANTABILITY OR FITNESS FOR ANY PARTICULAR PURPOSE. Further, we will not be responsible for any consequential, incidental or indirect damages (including, but not limited to, any loss of profits) from any cause whatsoever. No person has authority to change this warranty. *Unless otherwise provided herein. Akron Brass industrial electronic components & the Severe-Duty Monitor have a one (1) year warranty. Select Akron Brass handline nozzles and valves carry a ten (10) year warranty. Scene Star Lights carry a (6) year warranty. Weldon products have a two (2) year warranty from date of manufacture (excluding consumable components). Select Weldon LED products carry a five (5) year warranty. Honda products have the manufacturers' warranty and Akron Brass disclaims any warranty in respect of those products.

© 2016 Akron Brass Company. All rights reserved. No portion of this can be reproduced without the express written consent of the Akron Brass Company.