

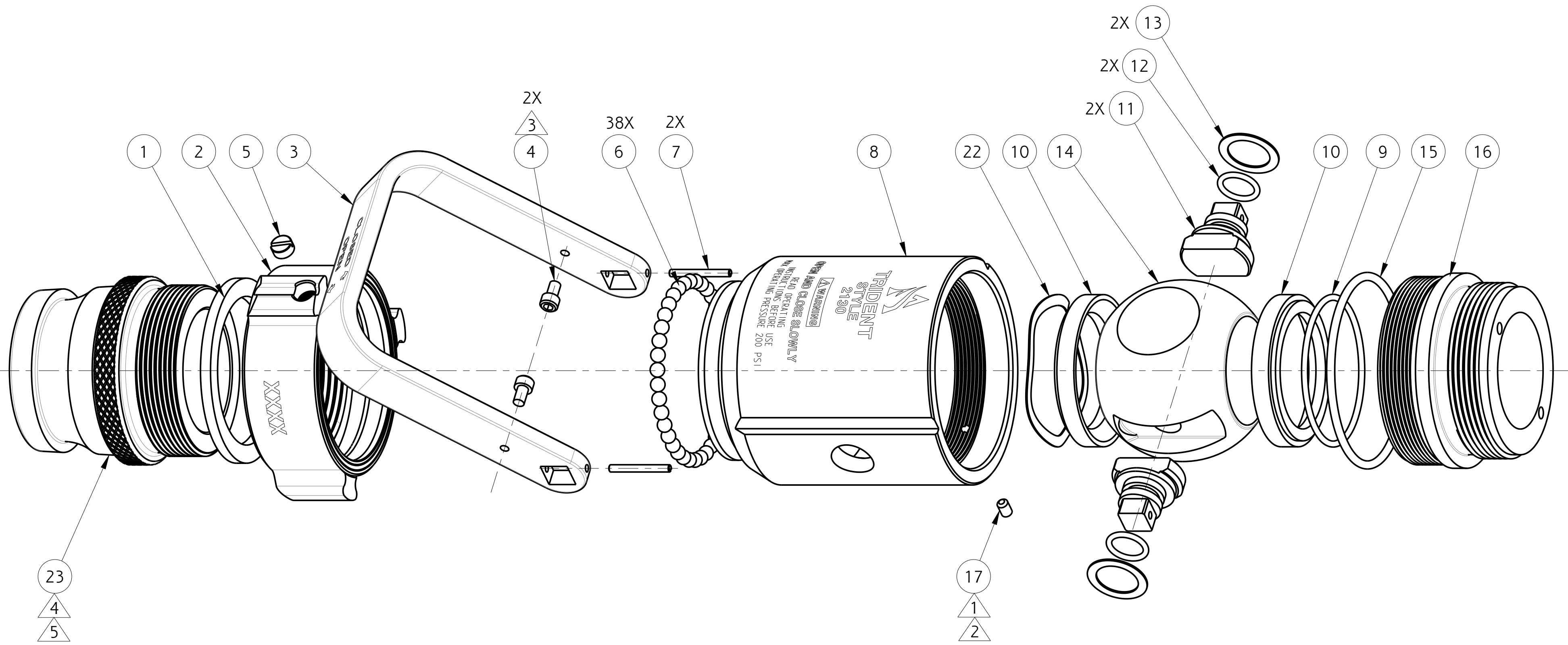


TECHNICAL SERVICE PARTS  
 STYLE 2130  
 PRODUCT TRIDENT

IF AN ITEM IS NOTED AS "NOT FIELD REPAIRABLE", OR YOU WISH TO RETURN AN ITEM TO AKRON BRASS FOR SERVICE PLEASE GO ONLINE TO, [ONLINEREPAIR.AKRONBRASS.COM](http://ONLINEREPAIR.AKRONBRASS.COM)

Chg.	Date
03	01-20
04	02-20

- ASSEMBLY NOTES:
- USE PARKER-O-LUBE ON ALL O-RINGS AND ALL MATING SURFACES.
  - 1 USE BLUE RTV
  - 2 DIMPLE AT ASSEMBLY.
  - 3 USE PERMABOND #HH-120 OR LOCTITE #277
  - 4 OPTIONAL BIM ADAPTER.
  - 5 USE PRIMER T AND PERMABOND HH120 OR LOCTITE 277.



PHONE: 330.264.5678 or 800.228.1161 | FAX: 330.264.2944 or 800.531.7335 | [www.akronbrass.com](http://www.akronbrass.com)

WARRANTY AND DISCLAIMER\*: We warrant Akron Brass products for a period of five (5) years\* after purchase against defects in materials or workmanship. Akron Brass will repair or replace product which fails to satisfy this warranty. Repair or replacement shall be at the discretion of Akron Brass. Products must be promptly returned to Akron Brass for warranty service. We will not be responsible for: wear and tear; any improper installation, use, maintenance or storage; negligence of the owner or user; repair or modification after delivery; failure to follow our instructions or recommendations; or anything else beyond our control. WE MAKE NO WARRANTIES, EXPRESS OR IMPLIED, OTHER THAN THOSE INCLUDED IN THIS WARRANTY STATEMENT, AND WE DISCLAIM ANY IMPLIED WARRANTY OF MERCHANTABILITY OR FITNESS FOR ANY PARTICULAR PURPOSE. Further, we will not be responsible for any consequential, incidental or indirect damages (including, but not limited to, any loss of profits) from any cause whatsoever. No person has authority to change this warranty. \*Unless otherwise provided herein. Akron Brass industrial electronic components & the Severe-Duty Monitor have a one (1) year warranty. Select Akron Brass handline nozzles and valves carry a ten (10) year warranty. Scene Star Lights carry a (6) year warranty. Weldon products have a two (2) year warranty from date of manufacture (excluding consumable components). Select Weldon LED products carry a five (5) year warranty. Honda products have the manufacturers' warranty and Akron Brass disclaims any warranty in respect of those products.

Parts List Sheet:  
**119636**  
 D42724



TECHNICAL SERVICE PARTS

STYLE 2130

PRODUCT TRIDENT

IF AN ITEM IS NOTED AS "NOT FIELD REPAIRABLE", OR YOU WISH TO RETURN AN ITEM TO AKRON BRASS FOR SERVICE PLEASE GO ONLINE TO, **ONLINEREPAIR.AKRONBRASS.COM**

Chg.	Date
03	01-20
04	02-20

Find	Description	Item	QTY
1	GASKET	717043	1
2	SWIVEL 2.5"NH	101420	1
3	HANDLE	119632	1
4	SCREW SOCKET HEAD CAP 10-24 x 5/16"	766018	2
5	PLUG SWIVEL	742023	1
6	A BALL BRASS 1/4"	-	38
7	PIN ROLL 1/8" x 1-1/8"	744080	2
8	BODY	119631	1
9	O-RING 2-143	757159	1
10	SEAT	769721	2
11	TRUNNION	119630	2
12	O-RING 2-113	757008	2
13	SPACER TEFLON	769736	2
14	BALL 2"	123173	1
15	O-RING 2-235	757046	1
16	ADAPTER OUTLET 2.5"NH	103981	1
17	SCREW SOCKET HEAD CUP POINT SET 10-24 x 5/16"	765040	1
22	SPRING WAVE	768353	1
23	BIM ADAPTER 2.5BSP	127982	1
A	KIT OF 50 BALLS	109041	

PHONE: 330.264.5678 or 800.228.1161 | FAX: 330.264.2944 or 800.531.7335 | [www.akronbrass.com](http://www.akronbrass.com)

WARRANTY AND DISCLAIMER\*: We warrant Akron Brass products for a period of five (5) years\* after purchase against defects in materials or workmanship. Akron Brass will repair or replace product which fails to satisfy this warranty. Repair or replacement shall be at the discretion of Akron Brass. Products must be promptly returned to Akron Brass for warranty service. We will not be responsible for: wear and tear; any improper installation, use, maintenance or storage; negligence of the owner or user; repair or modification after delivery; failure to follow our instructions or recommendations; or anything else beyond our control. WE MAKE NO WARRANTIES, EXPRESS OR IMPLIED, OTHER THAN THOSE INCLUDED IN THIS WARRANTY STATEMENT, AND WE DISCLAIM ANY IMPLIED WARRANTY OF MERCHANTABILITY OR FITNESS FOR ANY PARTICULAR PURPOSE. Further, we will not be responsible for any consequential, incidental or indirect damages (including, but not limited to, any loss of profits) from any cause whatsoever. No person has authority to change this warranty. \*Unless otherwise provided herein. Akron Brass industrial electronic components & the Severe-Duty Monitor have a one (1) year warranty. Select Akron Brass handline nozzles and valves carry a ten (10) year warranty. Scene Star Lights carry a (6) year warranty. Weldon products have a two (2) year warranty from date of manufacture (excluding consumable components). Select Weldon LED products carry a five (5) year warranty. Honda products have the manufacturers' warranty and Akron Brass disclaims any warranty in respect of those products.  
 © 2016 Akron Brass Company. All rights reserved. No portion of this can be reproduced without the express written consent of the Akron Brass Company.

Parts List Sheet:

119636