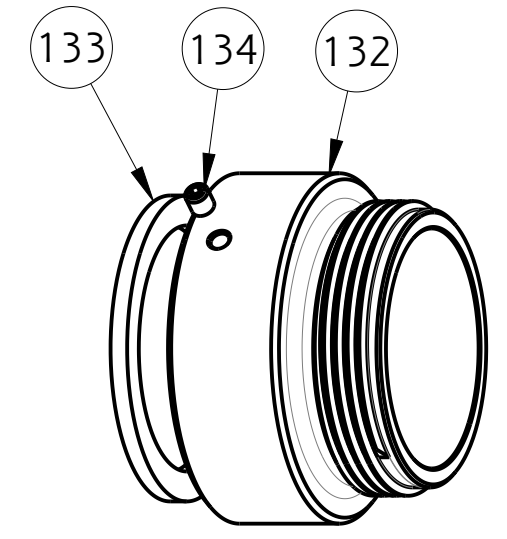
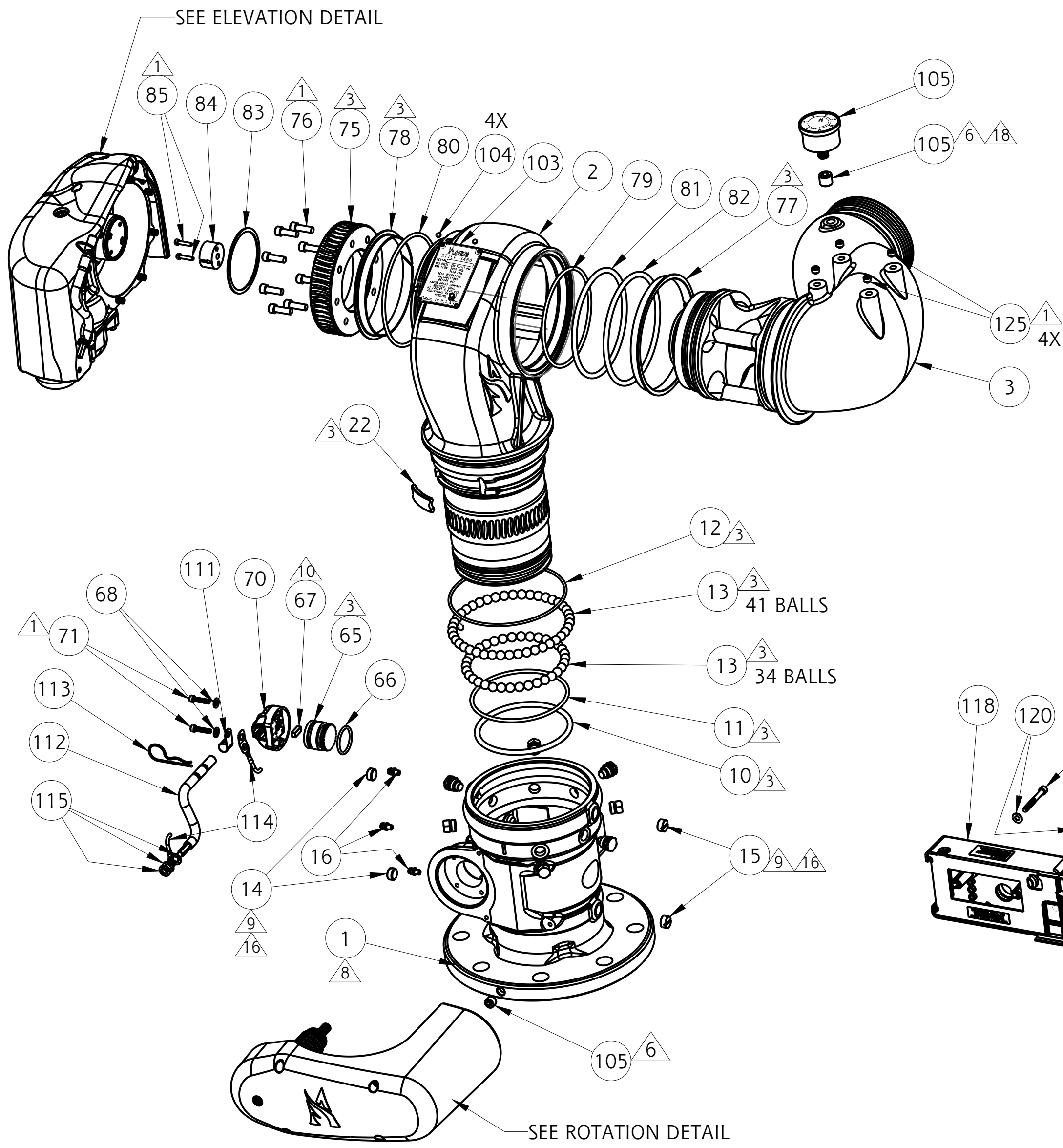
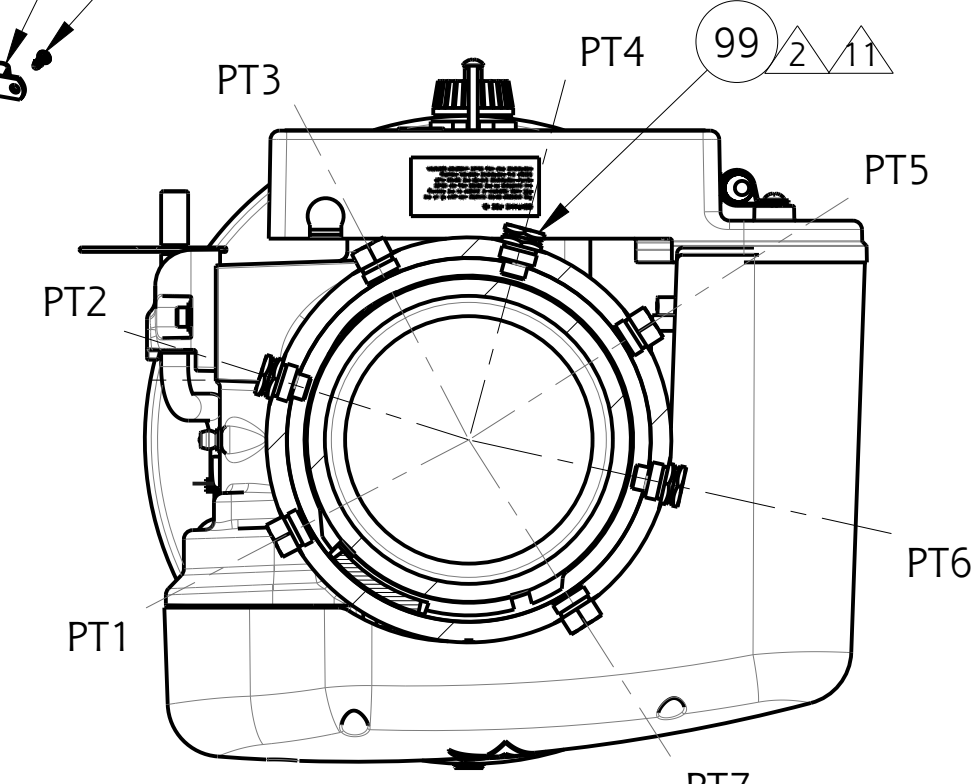
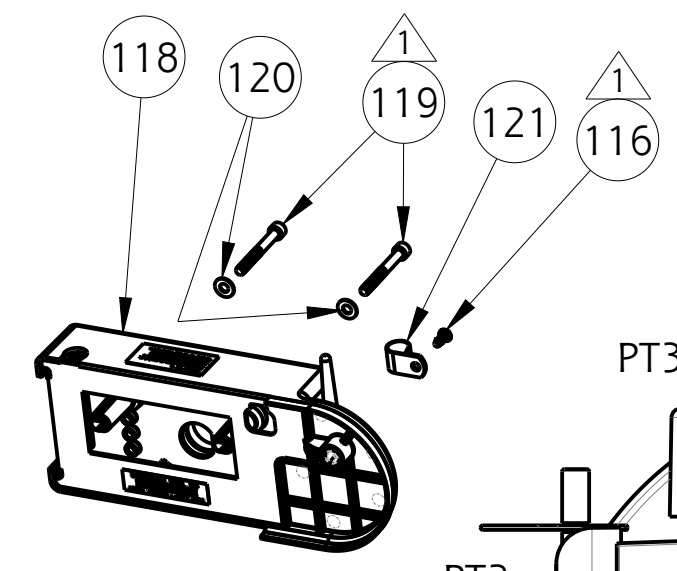


ASSEMBLY NOTES:
 USE PARKER O-LUBE ON ALL O-RINGS AND MATING SURFACES UNLESS OTHERWISE NOTED.



OPTIONAL OUTLET ADAPTER
 SCALE 0.500



SECTION B-B
 SCALE 0.375

- 1 USE PERMABOND LM113 OR LOCTITE 222.
- 2 USE PRIMER T AND PERMABOND HH120 OR LOCTITE 277.
- 3 USE MOBILITH SHC460.
- 4 DIMPLE AT ASSEMBLY.
- 6 USE PERMABOND LH050 OR LOCTITE 592.
- 8 GENERAL DEPICTION SEE BILL OF MATERIAL.
- 9 ALIGN BALL IN HOLE. TIGHTEN PLUG UNTIL TOUCHES BALL. THEN BACK OUT PLUG 1/4-1/2 TURN.
- 10 ASSEMBLE SOUTH POLE OF MAGNET ON SAME SIDE AS DRILL POINT. USE PERMABOND 200 TO HOLD MAGNET IN PLACE. DRILL POINT SHOULD BE DOWN WHEN JOINT IS AT ZERO POSITION.
- 11 LOCATION OF PERMANENT STOP.
- 13 USE PRIMER T AND LOCTITE 680.
- 14 OPTIONAL HANDWHEEL AS SPECIFIED
- 15 CAN NOT BE USED WITH HANDWHEEL OPTION
- 16 THOROUGHLY CLEAN THREADS OF PLUG AND MATING PART THEN APPLY LOCTITE 425.
- 17 USE SPECIAL SLIDER 125790, ITEM 22.
- 18 AS SPECIFIED.
- 19 TIGHTEN TO 35in-lbs MAX.
- 20 TIGHTEN TO 30in-lbs
- 21 STAKE AT ASSEMBLY

ADJUSTABLE ROTATION STOP LOCATIONS 99 1	
ANGLE OF ROTATION	STOP LOCATIONS
±90° (STD)	2,6 (SHOWN)
±45°	1,7
±22.5° 17	1,7
±135° 15	3,5
±177° 15	PERMANENT STOP ONLY
ALL OTHER LOCATIONS 98	

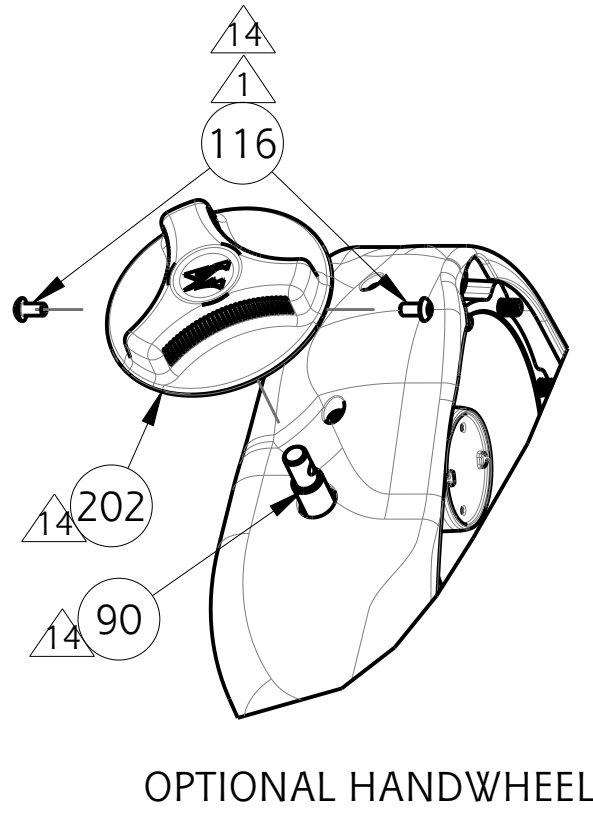
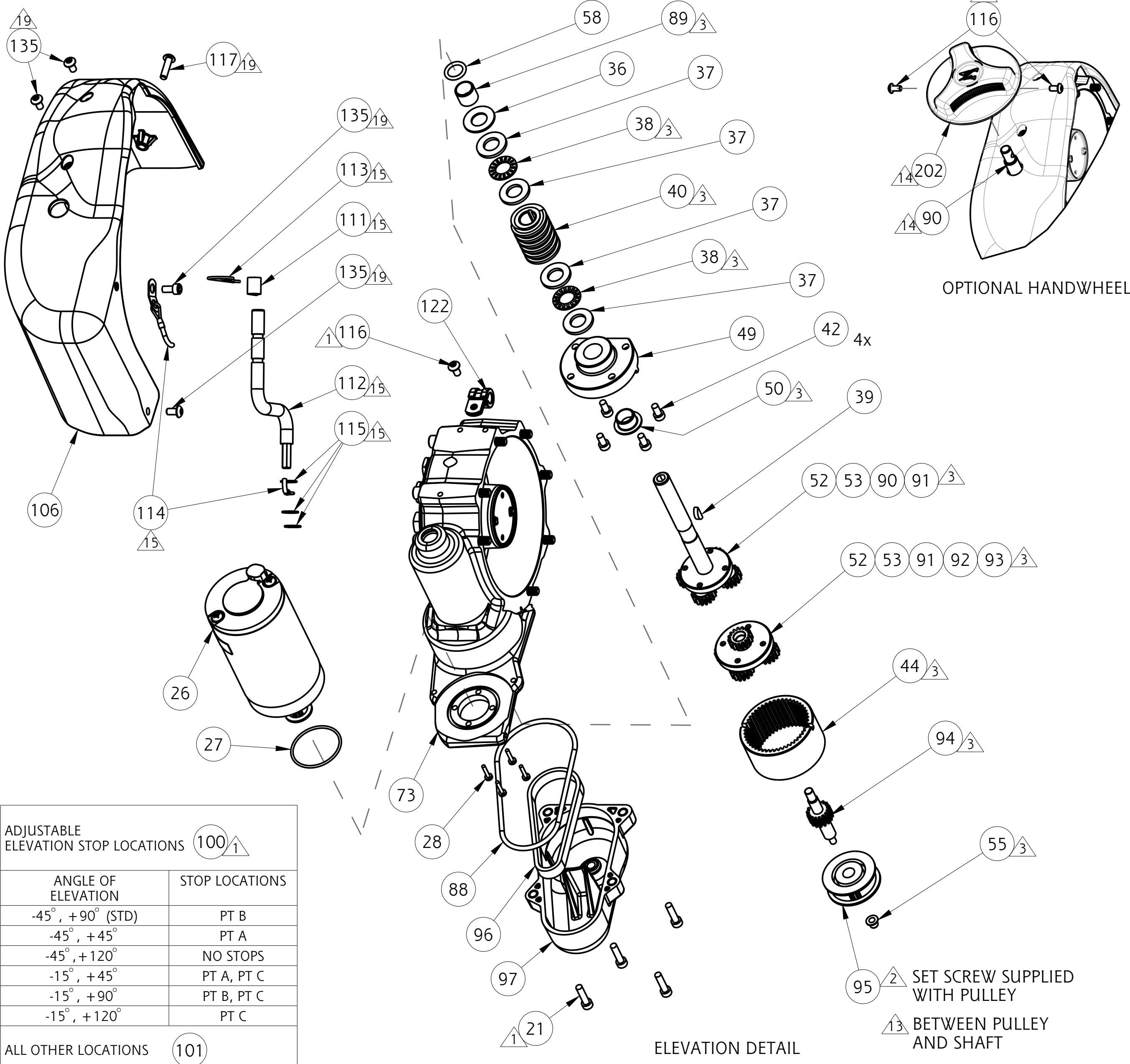
PHONE: 800.228.1161 | www.akronbrass.com

WARRANTY AND DISCLAIMER*: We warrant Akron Brass products for a period of five (5) years* after purchase against defects in materials or workmanship. Akron Brass will repair or replace product which fails to satisfy this warranty. Repair or replacement shall be at the discretion of Akron Brass. Products must be promptly returned to Akron Brass for warranty service. We will not be responsible for: wear and tear; any improper installation, use, maintenance or storage; negligence of the owner or user; repair or modification after delivery; failure to follow our instructions or recommendations; or anything else beyond our control. WE MAKE NO WARRANTIES, EXPRESS OR IMPLIED, OTHER THAN THOSE INCLUDED IN THIS WARRANTY STATEMENT, AND WE DISCLAIM ANY IMPLIED WARRANTY OF MERCHANTABILITY OR FITNESS FOR ANY PARTICULAR PURPOSE. Further, we will not be responsible for any consequential, incidental or indirect damages (including, but not limited to, any loss of profits) from any cause whatsoever. No person has authority to change this warranty. *Unless otherwise provided herein. Akron Brass industrial electronic components & the Severe-Duty Monitor have a one (1) year warranty. Select Akron Brass handline nozzles and valves carry a ten (10) year warranty. Scene Star Lights carry a (6) year warranty. Weldon products have a two (2) year warranty from date of manufacture (excluding consumable components). Select Weldon LED products carry a five (5) year warranty. Honda products have the manufacturers' warranty and Akron Brass disclaims any warranty in respect of those products.

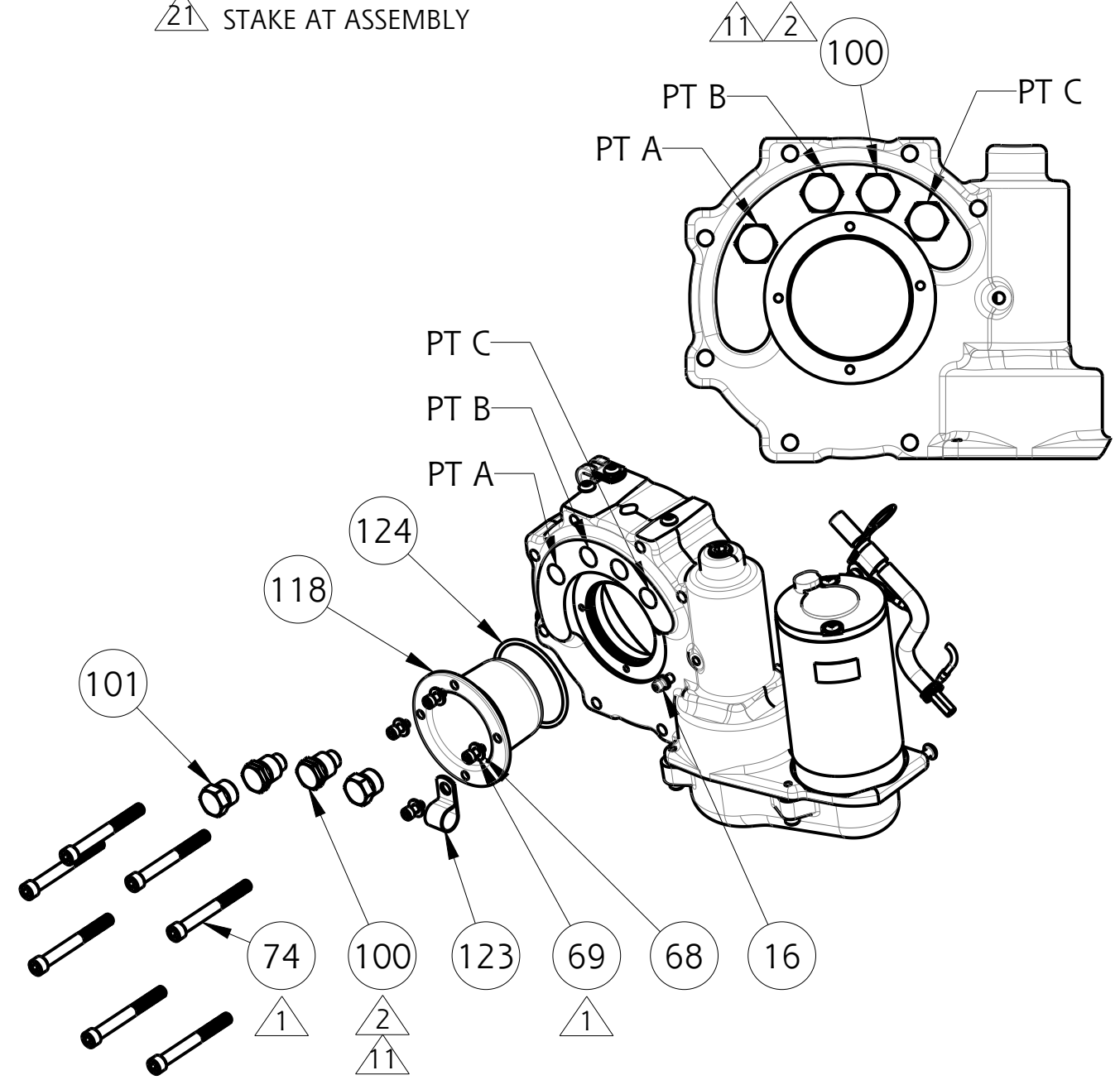
© 2016 Akron Brass Company. All rights reserved. No portion of this can be reproduced without the express written consent of the Akron Brass Company.

Parts List Sheet:
123965

D46488



- ASSEMBLY NOTES:
- USE PARKER O-LUBE ON ALL O-RINGS AND MATING SURFACES UNLESS OTHERWISE NOTED.
- 1 USE PERMABOND LM113 OR LOCTITE 222.
 - 2 USE PRIMER T AND PERMABOND HH120 OR LOCTITE 277.
 - 3 USE MOBILITH SHC460.
 - 4 DIMPLE AT ASSEMBLY.
 - 6 USE PERMABOND LH050 OR LOCTITE 592.
 - 8 GENERAL DEPICTION SEE BILL OF MATERIAL.
 - 9 ALIGN BALL IN HOLE. TIGHTEN PLUG UNTIL TOUCHES BALL. THEN BACK OUT PLUG 1/4-1/2 TURN.
 - 10 ASSEMBLE SOUTH POLE OF MAGNET ON SAME SIDE AS DRILL POINT. USE PERMABOND 200 TO HOLD MAGNET IN PLACE. DRILL POINT SHOULD BE DOWN WHEN JOINT IS AT ZERO POSITION.
 - 11 LOCATION OF PERMANENT STOP.
 - 13 USE PRIMER T AND LOCTITE 680.
 - 14 OPTIONAL HANDWHEEL AS SPECIFIED
 - 15 CAN NOT BE USED WITH HANDWHEEL OPTION
 - 16 THOROUGHLY CLEAN THREADS OF PLUG AND MATING PART THEN APPLY LOCTITE 425.
 - 17 USE SPECIAL SLIDER 125790, ITEM 22.
 - 18 AS SPECIFIED.
 - 19 TIGHTEN TO 35in-lbs MAX.
 - 20 TIGHTEN TO 30in-lbs
 - 21 STAKE AT ASSEMBLY



ADJUSTABLE ELEVATION STOP LOCATIONS 100 1

ANGLE OF ELEVATION	STOP LOCATIONS
-45°, +90° (STD)	PT B
-45°, +45°	PT A
-45°, +120°	NO STOPS
-15°, +45°	PT A, PT C
-15°, +90°	PT B, PT C
-15°, +120°	PT C

ALL OTHER LOCATIONS 101

ELEVATION DETAIL

95 2 SET SCREW SUPPLIED WITH PULLEY

13 BETWEEN PULLEY AND SHAFT

PHONE: 800.228.1161 | www.akronbrass.com

Parts List Sheet:

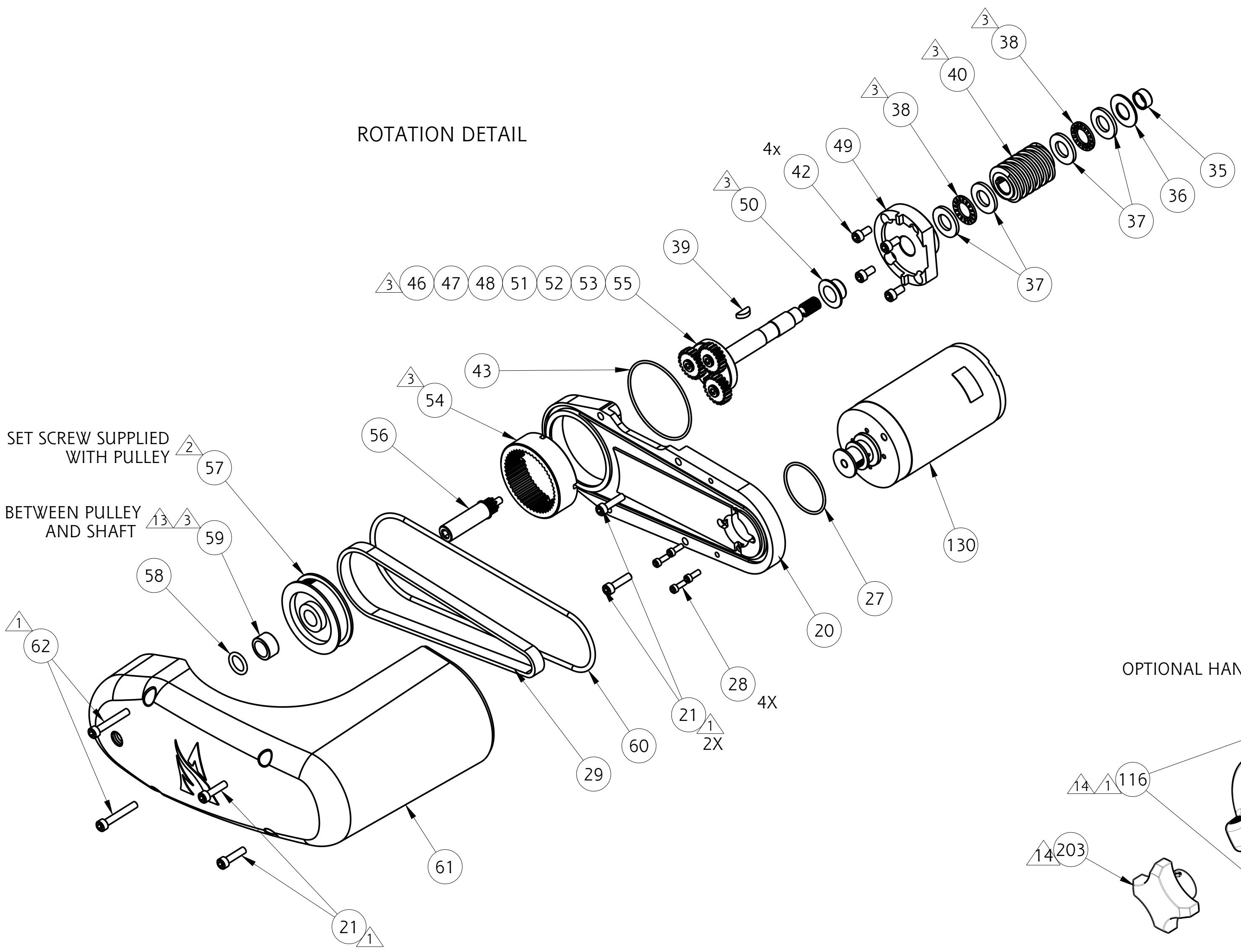
123965

WARRANTY AND DISCLAIMER*: We warrant Akron Brass products for a period of five (5) years* after purchase against defects in materials or workmanship. Akron Brass will repair or replace product which fails to satisfy this warranty. Repair or replacement shall be at the discretion of Akron Brass. Products must be promptly returned to Akron Brass for warranty service. We will not be responsible for: wear and tear; any improper installation, use, maintenance or storage; negligence of the owner or user; repair or modification after delivery; failure to follow our instructions or recommendations; or anything else beyond our control. WE MAKE NO WARRANTIES, EXPRESS OR IMPLIED, OTHER THAN THOSE INCLUDED IN THIS WARRANTY STATEMENT, AND WE DISCLAIM ANY IMPLIED WARRANTY OF MERCHANTABILITY OR FITNESS FOR ANY PARTICULAR PURPOSE. Further, we will not be responsible for any consequential, incidental or indirect damages (including, but not limited to, any loss of profits) from any cause whatsoever. No person has authority to change this warranty. *Unless otherwise provided herein. Akron Brass industrial electronic components & the Severe-Duty Monitor have a one (1) year warranty. Select Akron Brass handline nozzles and valves carry a ten (10) year warranty. Scene Star Lights carry a (6) year warranty. Weldon products have a two (2) year warranty from date of manufacture (excluding consumable components). Select Weldon LED products carry a five (5) year warranty. Honda products have the manufacturers' warranty and Akron Brass disclaims any warranty in respect of those products.

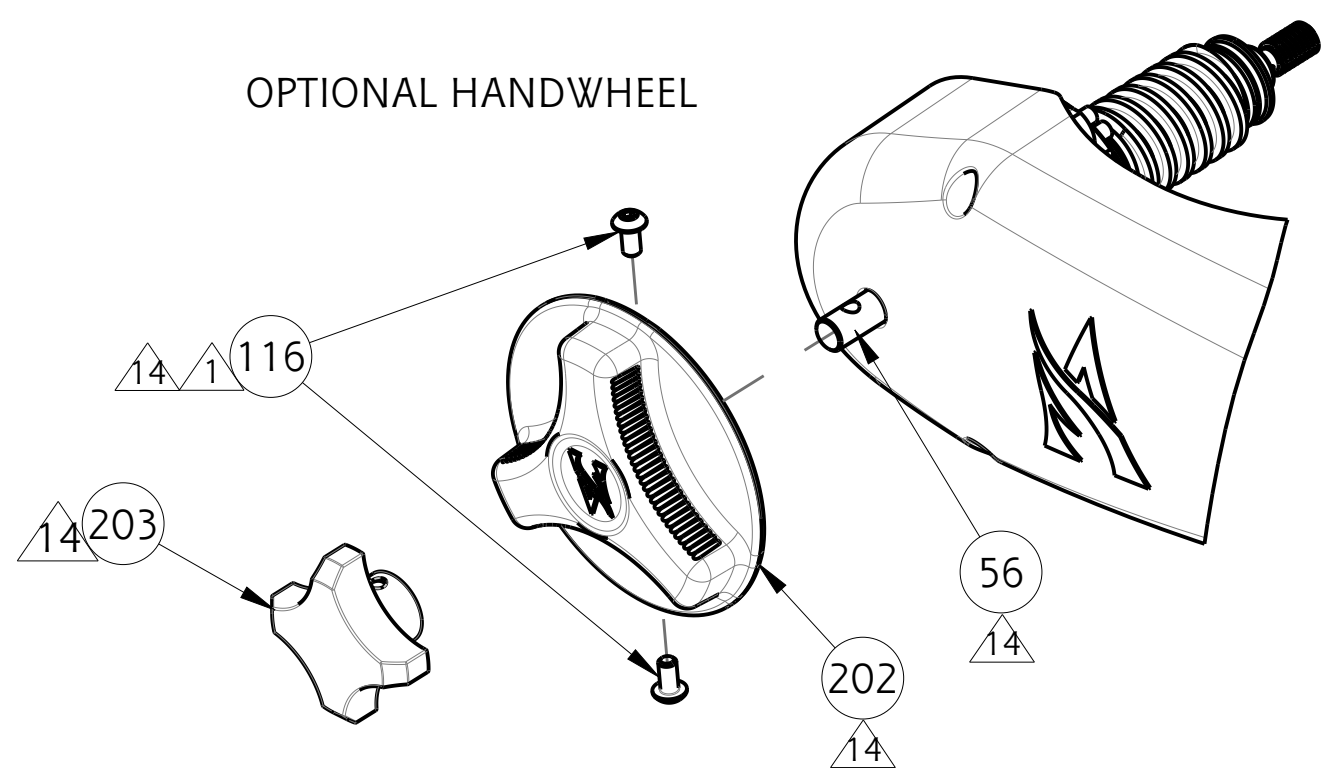
© 2016 Akron Brass Company. All rights reserved. No portion of this can be reproduced without the express written consent of the Akron Brass Company.

- ASSEMBLY NOTES:
- USE PARKER O-LUBE ON ALL O-RINGS AND MATING SURFACES UNLESS OTHERWISE NOTED.
- 1 USE PERMABOND LM113 OR LOCTITE 222.
 - 2 USE PRIMER T AND PERMABOND HH120 OR LOCTITE 277.
 - 3 USE MOBILITH SHC460.
 - 4 DIMPLE AT ASSEMBLY.
 - 6 USE PERMABOND LH050 OR LOCTITE 592.
 - 8 GENERAL DEPICTION SEE BILL OF MATERIAL.
 - 9 ALIGN BALL IN HOLE. TIGHTEN PLUG UNTIL TOUCHES BALL. THEN BACK OUT PLUG 1/4-1/2 TURN.
 - 10 ASSEMBLE SOUTH POLE OF MAGNET ON SAME SIDE AS DRILL POINT. USE PERMABOND 200 TO HOLD MAGNET IN PLACE. DRILL POINT SHOULD BE DOWN WHEN JOINT IS AT ZERO POSITION.
 - 11 LOCATION OF PERMANENT STOP.
 - 13 USE PRIMER T AND LOCTITE 680.
 - 14 OPTIONAL HANDWHEEL AS SPECIFIED
 - 15 CAN NOT BE USED WITH HANDWHEEL OPTION
 - 16 THOROUGHLY CLEAN THREADS OF PLUG AND MATING PART THEN APPLY LOCTITE 425.
 - 17 USE SPECIAL SLIDER 125790, ITEM 22.
 - 18 AS SPECIFIED.
 - 19 TIGHTEN TO 35in-lbs MAX.
 - 20 TIGHTEN TO 30in-lbs
 - 21 STAKE AT ASSEMBLY

ROTATION DETAIL



OPTIONAL HANDWHEEL



PHONE: 800.228.1161 | www.akronbrass.com

WARRANTY AND DISCLAIMER*: We warrant Akron Brass products for a period of five (5) years* after purchase against defects in materials or workmanship. Akron Brass will repair or replace product which fails to satisfy this warranty. Repair or replacement shall be at the discretion of Akron Brass. Products must be promptly returned to Akron Brass for warranty service. We will not be responsible for: wear and tear; any improper installation, use, maintenance or storage; negligence of the owner or user; repair or modification after delivery; failure to follow our instructions or recommendations; or anything else beyond our control. WE MAKE NO WARRANTIES, EXPRESS OR IMPLIED, OTHER THAN THOSE INCLUDED IN THIS WARRANTY STATEMENT, AND WE DISCLAIM ANY IMPLIED WARRANTY OF MERCHANTABILITY OR FITNESS FOR ANY PARTICULAR PURPOSE. Further, we will not be responsible for any consequential, incidental or indirect damages (including, but not limited to, any loss of profits) from any cause whatsoever. No person has authority to change this warranty. *Unless otherwise provided herein. Akron Brass industrial electronic components & the Severe-Duty Monitor have a one (1) year warranty. Select Akron Brass handline nozzles and valves carry a ten (10) year warranty. Scene Star Lights carry a (6) year warranty. Weldon products have a two (2) year warranty from date of manufacture (excluding consumable components). Select Weldon LED products carry a five (5) year warranty. Honda products have the manufacturers' warranty and Akron Brass disclaims any warranty in respect of those products.

© 2016 Akron Brass Company. All rights reserved. No portion of this can be reproduced without the express written consent of the Akron Brass Company.

Parts List Sheet:
123965

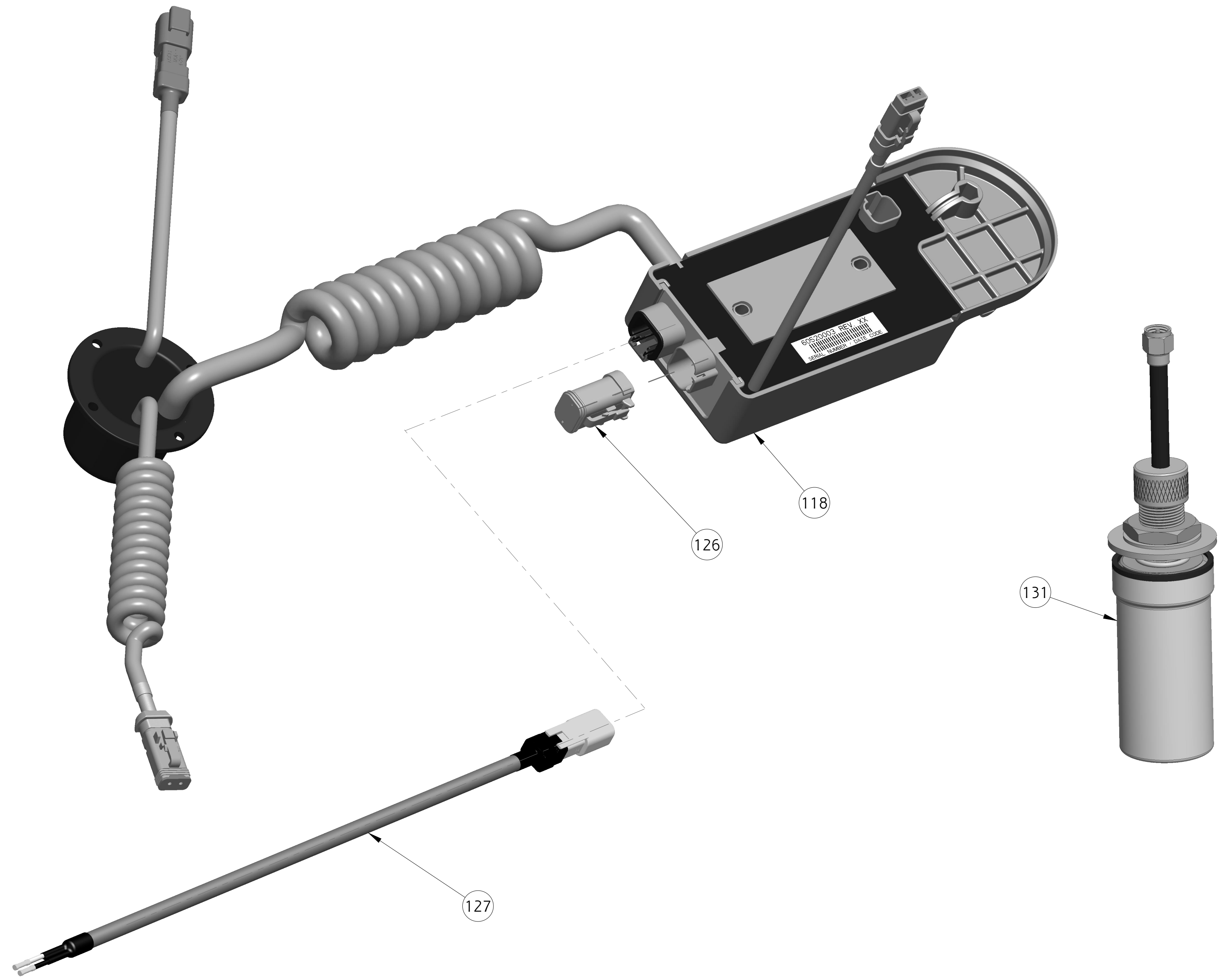
D46488



TECHNICAL SERVICE PARTS
 STYLE 3480, 3482
 PRODUCT STREAMMASTER II

IF AN ITEM IS NOTED AS "NOT FIELD REPAIRABLE", OR YOU WISH TO RETURN AN ITEM TO AKRON BRASS FOR SERVICE PLEASE GO ONLINE TO, ONLINEREPAIR.AKRONBRASS.COM

Chg.	Date
28	04-21
29	08-21



PHONE: 800.228.1161 | www.akronbrass.com

WARRANTY AND DISCLAIMER*: We warrant Akron Brass products for a period of five (5) years* after purchase against defects in materials or workmanship. Akron Brass will repair or replace product which fails to satisfy this warranty. Repair or replacement shall be at the discretion of Akron Brass. Products must be promptly returned to Akron Brass for warranty service. We will not be responsible for: wear and tear; any improper installation, use, maintenance or storage; negligence of the owner or user; repair or modification after delivery; failure to follow our instructions or recommendations; or anything else beyond our control. **WE MAKE NO WARRANTIES, EXPRESS OR IMPLIED, OTHER THAN THOSE INCLUDED IN THIS WARRANTY STATEMENT, AND WE DISCLAIM ANY IMPLIED WARRANTY OF MERCHANTABILITY OR FITNESS FOR ANY PARTICULAR PURPOSE.** Further, we will not be responsible for any consequential, incidental or indirect damages (including, but not limited to, any loss of profits) from any cause whatsoever. No person has authority to change this warranty. *Unless otherwise provided herein. Akron Brass industrial electronic components & the Severe-Duty Monitor have a one (1) year warranty. Select Akron Brass handline nozzles and valves carry a ten (10) year warranty. Scene Star Lights carry a (6) year warranty. Weldon products have a two (2) year warranty from date of manufacture (excluding consumable components). Select Weldon LED products carry a five (5) year warranty. Honda products have the manufacturers' warranty and Akron Brass disclaims any warranty in respect of those products.

© 2016 Akron Brass Company. All rights reserved. No portion of this can be reproduced without the express written consent of the Akron Brass Company.

Parts List Sheet:
123965

D46488



TECHNICAL SERVICE PARTS
STYLE 3480, 3482
PRODUCT STREAMMASTER II

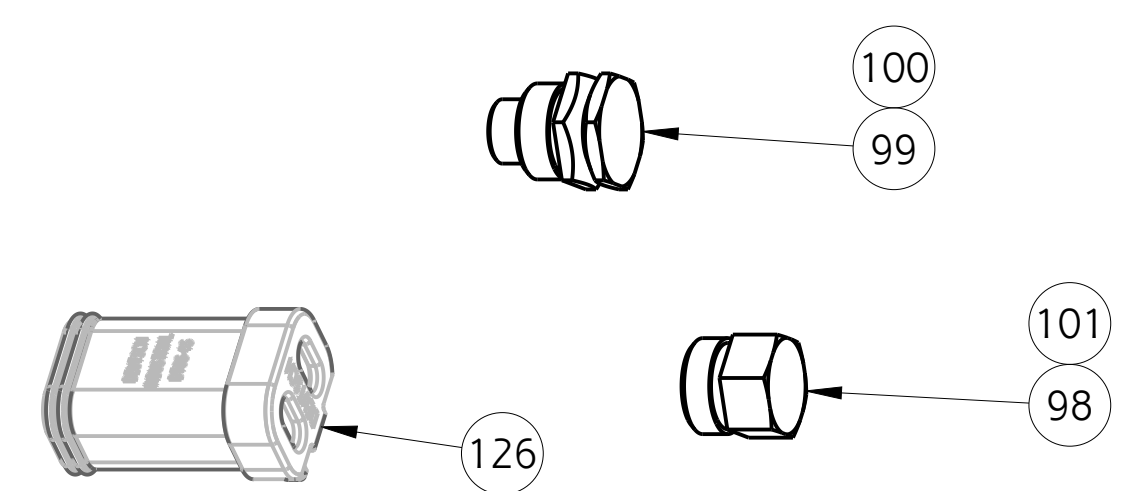
IF AN ITEM IS NOTED AS "NOT FIELD REPAIRABLE", OR YOU WISH TO RETURN AN ITEM TO AKRON BRASS FOR SERVICE PLEASE GO ONLINE TO, ONLINEREPAIR.AKRONBRASS.COM

Chg.	Date
28	04-21
29	08-21

ITEM NO.	DESCRIPTION	PART NO.	QTY 3480	QTY 3482	ITEM NO.	DESCRIPTION	PART NO.	QTY 3480	QTY 3482
1	BASE 3"	128384	-	1	68	WASHER #8	784123	6	6
1	BASE 4"	128382	1	-	69	SCREW 8-32 X 3/8	765064	4	4
1	BASE DN100	128386	1	-	70	MAGNETIC SENSOR ASSY	60430005	1	1
1	BASE DN80	128388	-	1	71	SCREW 8-32 X 3/4	765178	2	2
1	BASE AERIAL VALVE MANIFOLD	127383	1	1	73	GEARBOX HOUSING	123935	1	1
2	ELBOW INLET	126973	1	1	74	SCREW 1/4-20 X 2-1/4	765310	7	7
3	ELBOW OUTLET 3.5" NH	128246	1	-	75	WORM GEAR	123934	1	1
3	ELBOW OUTLET 2.5" NH	124138	-	1	76	SCREW 1/4-20 X 3/4	765030	8	8
10	C O-RING 2-343	757319	1	1	77	C BEARING	803058	1	1
11	C O-RING 2-241	757210	1	1	78	C BEARING	803057	1	1
12	C O-RING 2-158	757326	1	1	79	C O-RING 2-242	757073	1	1
13	A,C 3/8" BALL BEARING	-	75	75	80	C O-RING 2-246	757076	1	1
14	C PLUG	742112	2	2	81	C O-RING 2-347	757446	1	1
15	C PLUG W/HOLE	742123	2	2	82	C O-RNG 2-348	757376	1	1
16	GREASE FITTING	713191	4	4	83	RETAINING RING	758326	1	1
20	FLANGE ROTATION	712297	1	1	84	MARKER POSITION MAGNET	731127	1	1
21	SCREW 10-24 X 3/4	767086	8	8	85	SCREW 6-32 X 5/8	765179	2	2
22	SLIDER	125789	1	1	88	E O-RING 2-154	757358	1	1
22	SLIDER(± 22.5° ONLY)	125790	1	1	89	D BEARING	703995	1	1
26	MOTOR S/A 12V	34800002	1	1	90	H SHAFT	769949	1	1
26	MOTOR S/A 24V	34800003	1	1	90	L SHAFT	768470	1	1
27	*,C O-RING 2-029	757056	2	2	91	H,L GEAR PLANET	718339	8	8
28	SCREW 6-32 X 1/2	765052	8	8	92	H,K,L CARRIER	742241	1	1
29	F,M BELT 85 TEETH	803061	1	1	93	H,L BUSHING	803064	1	1
35	G BUSHING	803063	1	1	94	E SHAFT PULLEY	769948	1	1
36	D,G SPRING	769276	2	2	95	E PULLEY	745241	1	1
37	D,G THRUST WASHER	784121	8	8	96	E BELT	803062	1	1
38	D,G NEEDLE BEARING	703453	4	4	97	GEAR BOX COVER	807016	1	1
39	D,G WOODRUFF KEY	727025	2	2	98	PLUG - ROTATION	744337	4	4
40	D,G WORM GEAR	718273	2	2	99	STOP - ROTATION	769498	3	3
42	D,G SCREW 10-24 X 3/8	767029	8	8	100	M STOP - ELEVATION	769843	2	2
43	G O-RING 2-036	757312	1	1	101	PLUG - ELEVATION	745187	2	2
44	L GEAR	718337	1	1	103	TAG 3482	745285	-	1
46	K SHAFT	769951	1	1	103	TAG 3480	744551	1	-
47	K,G WORM GEAR	718303	1	1	104	NAIL GRIP	736052	4	4
48	K,G ROLL PIN 1/16 x 3/8	744341	1	1	105	PIPE PLUG	744009	2	2
49	D,G PLUG	123938	2	2	105	PRESSURE GUAGE bar/MPa	718323	1	1
50	D,G BUSHING	703819	2	2	105	PRESSURE GUAGE kPa/PSI	718322	1	1
51	K PLANET GEAR	718262	3	3	106	COVER-ELEVATION	807087	1	1
52	H,K,L BUSHING	703989	12	12	111	CABLE CLAMP	807139	2	2
53	H,K,L SCREW SHOULDER	803059	11	11	112	HANDLE OVERRIDE	721291	2	2
54	K GEAR	718338	1	1	113	COTTER PIN	744339	2	2
55	E,K BUSHING	803065	1	1	114	LANYARD 10"	729117	2	2
56	F SHAFT	769950	1	1	115	RETAINING RING	758203	6	6
57	F,M PULLEY	745240	1	1	116	SCREW BTTN 10-24 X 3/8	765143	2	2
58	D,F,M O-RING 2-112	757313	2	2	117	SCREW BTTN NYLON PATCH 10-24 X 3/4	761103	1	1
59	F,M BEARING	704395	1	1	118	CONTROLLER 2.4 GHz	60520003	1	1
60	F,M O-RING 2-164	757486	1	1	118	CONTROLLER 900 MHz	60520004	1	1
61	COVER-ROTATION	807017	1	1	119	SCREW 10-24 X 1-5/8	763035	2	2
62	SCREW 10-24 X 1-1/4	767100	2	2	120	WASHER	784072	2	2
65	B WORM GEAR	718302	1	1	121	CABLE CLAMP	707436	2	2
66	B O-RING 2-120	757020	1	1	122	CABLE CLAMP 5/16	707548	1	1
67	B MAGNET	731139	1	1					

ITEM NO.	DESCRIPTION	PART NO.	QTY 3480	QTY 3482
123	CABLE CLAMP 1/2	707188	1	1
124	O-RING 2-136	757083	1	1
125	SCREW SET 5/16-18 x 1/4	765071	4	4
126	PLUG 4PIN DEUTSCH	745230	1	1
127	POWER HARNESS U2 8'	721682	1	1
127	POWER HARNESS U2 4'	721695	1	1
127	POWER HARNESS U2 10'	721696	1	1
130	MOTOR S/A 12V	34800022	1	1
130	MOTOR S/A 24V	34800023	1	1
131	EXTERNAL ANTENNA KIT (OPTIONAL) 2.4 GHz	34800057	1	1
132	OUTLET ADAPTER 2.50"BSP	104359	1	1
133	ADAPTER GASKET	717043	1	1
134	SCREW SOCKET HEAD CUP POINT SET 1/4-20 x 1/4"	765002	1	1
135	SCREW BTTN NYLON PATCH 10-24 X 3/8	761104	4	4
OPTIONAL HANDWHEEL				
56	M ROTATION SHAFT	768469	1	1
90	L ELEVATION SHAFT	768470	1	1
116	SCREW BUTTON HEAD CAP 10-24 X 3/8	765143	4	4
202	HANDWHEEL (STANDARD)	721745	2	2
203	HANDWHEEL (OPTIONAL, ROTATION ONLY)	127995	1	1
A	KIT OF 50 BALLS	109342		
B	WORM GEAR SENSOR KIT	34800014		
C	FIELD SERVICE KIT	92200001		
D	ELEVATION ACTUATOR REPAIR KIT	34800076		
E	ELEVATION BELT REPAIR KIT	34800077		
F	ROTATION BELT REPAIR KIT	34800078		
G	ROTATION ACTUATOR REPAIR KIT	34800079		
***, H	PLANETARY GEAR ELEVATION WITH SHAFT	34800112		
***, K	PLANETARY GEAR ROTATION	34800113		
***, L	PLANETARY GEAR ELEVATION HANDWHEEL VERSION	34803123		
M	ROTATION BELT REPAIR KIT HANDWHEEL VERSION	34800096		

* INCLUDED WITH MOTOR S/A ITEMS 26 AND 130.
 ** REPLACES SHAFT WITHOUT HANDWHEEL.
 *** USE ALL GEARS PROVIDED IN KIT.



PHONE: 800.228.1161 | www.akronbrass.com

WARRANTY AND DISCLAIMER: We warrant Akron Brass products for a period of five (5) years* after purchase against defects in materials or workmanship. Akron Brass will repair or replace product which fails to satisfy this warranty. Repair or replacement shall be at the discretion of Akron Brass. Products must be promptly returned to Akron Brass for warranty service. We will not be responsible for: wear and tear; any improper installation, use, maintenance or storage; negligence of the owner or user; repair or modification after delivery; failure to follow our instructions or recommendations; or anything else beyond our control. WE MAKE NO WARRANTIES, EXPRESS OR IMPLIED, OTHER THAN THOSE INCLUDED IN THIS WARRANTY STATEMENT, AND WE DISCLAIM ANY IMPLIED WARRANTY OF MERCHANTABILITY OR FITNESS FOR ANY PARTICULAR PURPOSE. Further, we will not be responsible for any consequential, incidental or indirect damages (including, but not limited to, any loss of profits) from any cause whatsoever. No person has authority to change this warranty. *Unless otherwise provided herein. Akron Brass industrial electronic components & the Severe-Duty Monitor have a one (1) year warranty. Select Akron Brass handline nozzles and valves carry a ten (10) year warranty. Scene Star Lights carry a (6) year warranty. Weldon products have a two (2) year warranty from date of manufacture (excluding consumable components). Select Weldon LED products carry a five (5) year warranty. Honda products have the manufacturers' warranty and Akron Brass disclaims any warranty in respect of those products.

Parts List Sheet:
123965
 D46488