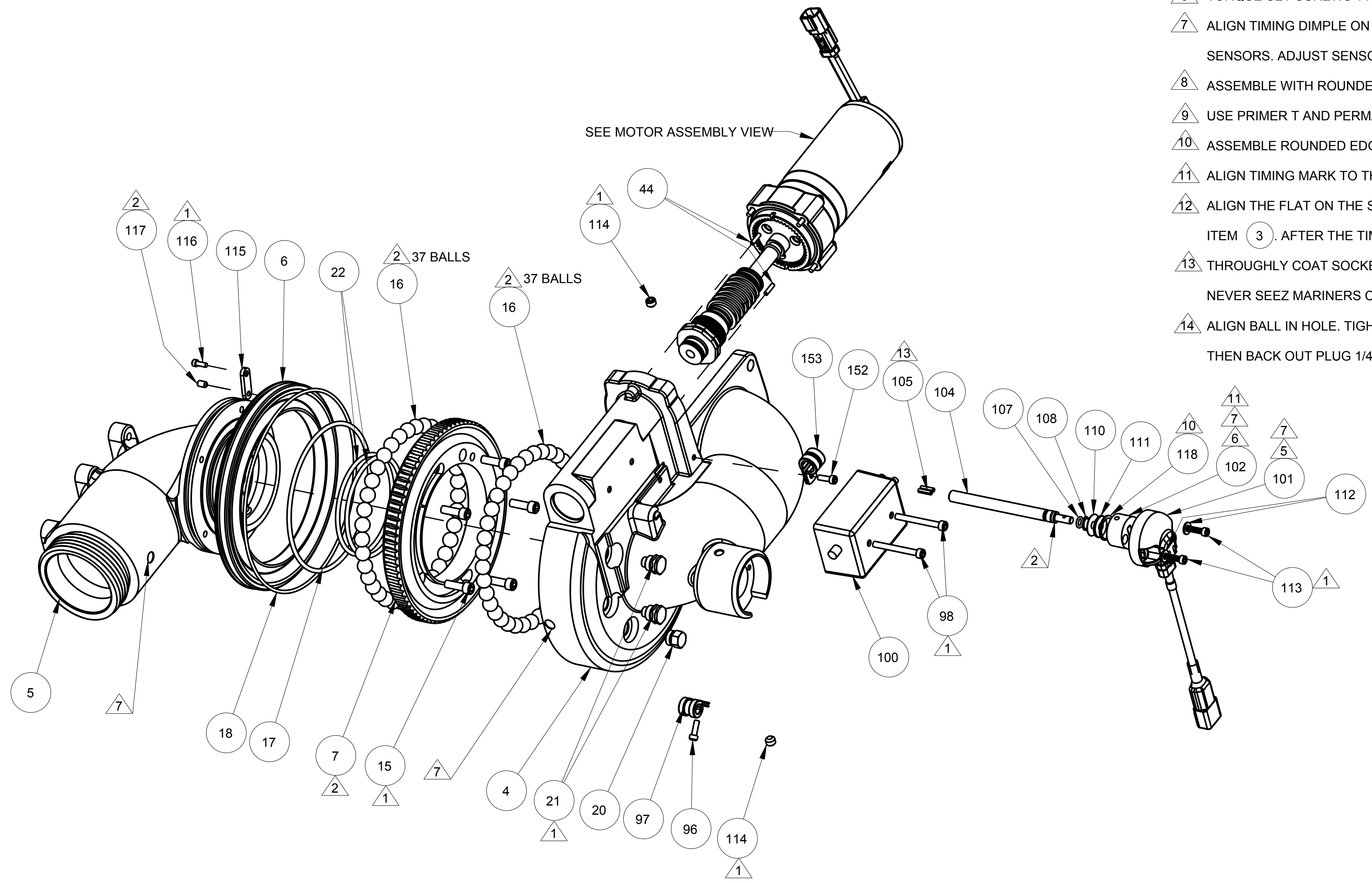


- ASSEMBLY NOTES:
- USE PARKER O-LUBE ON ALL O-RINGS AND MATING SURFACES
 UNLESS OTHERWISE NOTED.
- 1 USE PERMABOND LM113 OR LOCTITE 222
 - 2 USE LUBRIPLATE LOW-TEMP GREASE
 - 4 USE PERMABOND LH050 OR LOCTITE 592
 - 5 INSTALL SENSOR WITH POTTED SIDE TOWARDS WATERWAY
 - 6 TORQUE SET SCREWS 14 TO 17 IN-LBS
 - 7 ALIGN TIMING DIMPLE ON BOTH JOINTS PRIOR TO INSTALLING POSITION SENSORS. ADJUST SENSOR OUTPUT TO 2.50± 0.01 V.
 - 8 ASSEMBLE WITH ROUNDED EDGES OF RETAINING RING TOWARDS WASHERS
 - 9 USE PRIMER T AND PERMABOND HH120 OR LOCTITE 277
 - 10 ASSEMBLE ROUNDED EDGES OF RETAINING RING TOWARDS WATERWAY
 - 11 ALIGN TIMING MARK TO THE FLAT ON THE SHAFT
 - 12 ALIGN THE FLAT ON THE SHAFT TOWARDS THE SLOT ON ITEM 3. AFTER THE TIMING MARKS ARE ALIGNED.
 - 13 THOROUGHLY COAT SOCKETS FOR FEEDBACK SHAFTS WITH NEVER SEEZ MARINERS CHOICE.
 - 14 ALIGN BALL IN HOLE. TIGHTEN PLUG UNTIL IT TOUCHES BALL. THEN BACK OUT PLUG 1/4-1/2 TURN.



PHONE: 330.264.5678 or 800.228.1161 | FAX: 330.264.2944 or 800.531.7335 | www.akronbrass.com

Parts List Sheet:

122540

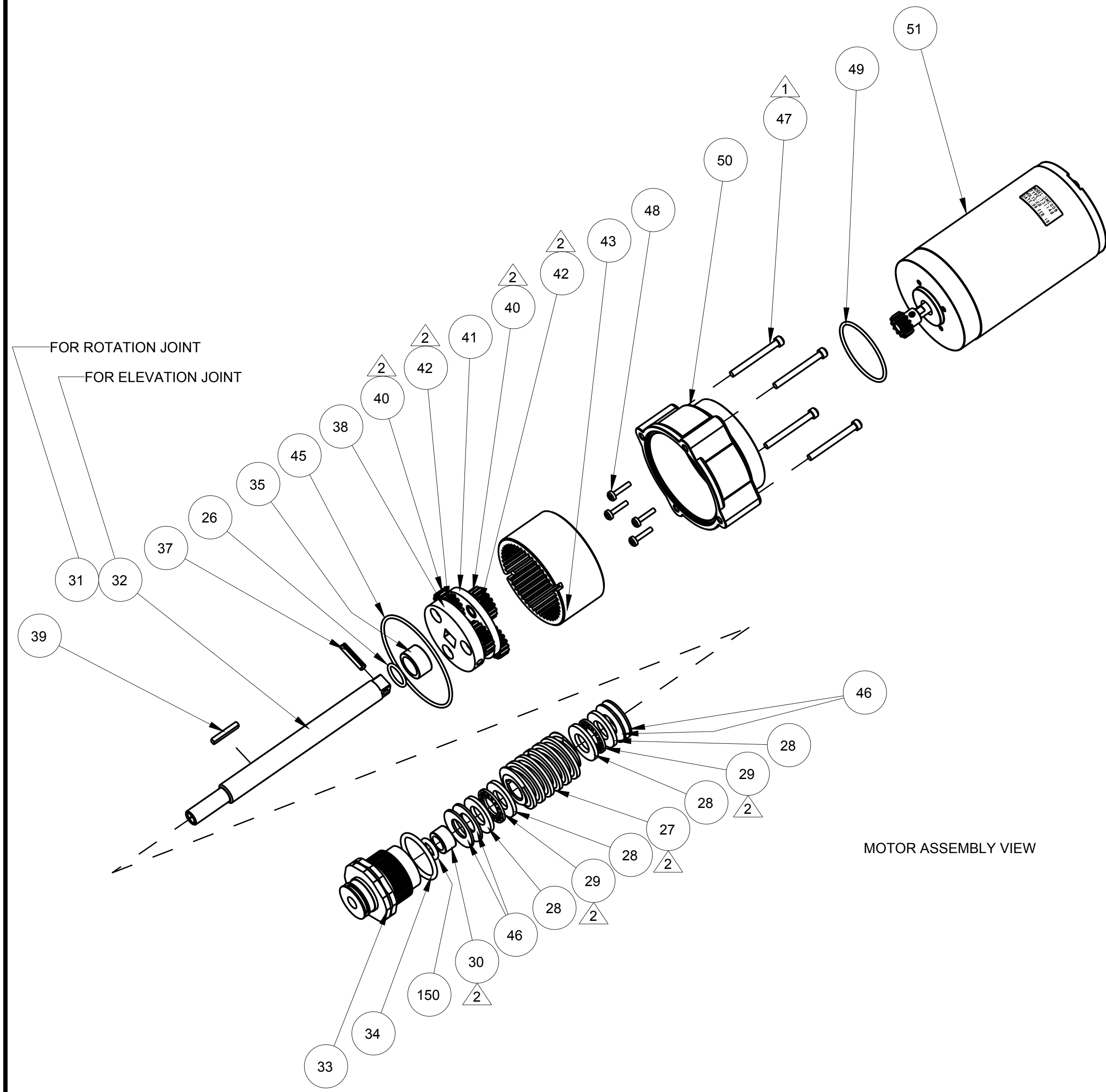
WARRANTY AND DISCLAIMER*: We warrant Akron Brass products for a period of five (5) years* after purchase against defects in materials or workmanship. Akron Brass will repair or replace product which fails to satisfy this warranty. Repair or replacement shall be at the discretion of Akron Brass. Products must be promptly returned to Akron Brass for warranty service. We will not be responsible for: wear and tear; any improper installation, use, maintenance or storage; negligence of the owner or user; repair or modification after delivery; failure to follow our instructions or recommendations; or anything else beyond our control. WE MAKE NO WARRANTIES, EXPRESS OR IMPLIED, OTHER THAN THOSE INCLUDED IN THIS WARRANTY STATEMENT, AND WE DISCLAIM ANY IMPLIED WARRANTY OF MERCHANTABILITY OR FITNESS FOR ANY PARTICULAR PURPOSE. Further, we will not be responsible for any consequential, incidental or indirect damages (including, but not limited to, any loss of profits) from any cause whatsoever. No person has authority to change this warranty. *Unless otherwise provided herein. Akron Brass industrial electronic components & the Severe-Duty Monitor have a one (1) year warranty. Select Akron Brass handline nozzles and valves carry a ten (10) year warranty. Scene Star Lights carry a (6) year warranty. Weldon products have a two (2) year warranty from date of manufacture (excluding consumable components). Select Weldon LED products carry a five (5) year warranty. Honda products have the manufacturers' warranty and Akron Brass disclaims any warranty in respect of those products.

© 2016 Akron Brass Company. All rights reserved. No portion of this can be reproduced without the express written consent of the Akron Brass Company.

ASSEMBLY NOTES:

USE PARKER O-LUBE ON ALL O-RINGS AND MATING SURFACES
UNLESS OTHERWISE NOTED.

- 1 USE PERMABOND LM113 OR LOCTITE 222
- 2 USE LUBRIPLATE LOW-TEMP GREASE
- 4 USE PERMABOND LH050 OR LOCTITE 592
- 5 INSTALL SENSOR WITH POTTED SIDE TOWARDS WATERWAY
- 6 TORQUE SET SCREWS 14 TO 17 IN-LBS
- 7 ALIGN TIMING DIMPLE ON BOTH JOINTS PRIOR TO
INSTALLING POSITION SENSORS. ADJUST SENSOR OUTPUT TO 2.50± 0.01 V.
- 8 ASSEMBLE WITH ROUNDED EDGES OF RETAINING RING TOWARDS WASHERS
- 9 USE PRIMER T AND PERMABOND HH120 OR LOCTITE 277
- 10 ASSEMBLE ROUNDED EDGES OF RETAINING RING TOWARDS WATERWAY
- 11 ALIGN TIMING MARK TO THE FLAT ON THE SHAFT
- 12 ALIGN THE FLAT ON THE SHAFT TOWARDS THE SLOT ON
ITEM 3 . AFTER THE TIMING MARKS ARE ALIGNED.
- 13 THOROUGHLY COAT SOCKETS FOR FEEDBACK SHAFTS WITH
NEVER SEEZ MARINERS CHOICE.
- 14 ALIGN BALL IN HOLE. TIGHTEN PLUG UNTIL IT TOUCHES BALL.
THEN BACK OUT PLUG 1/4-1/2 TURN.



PHONE: 330.264.5678 or 800.228.1161 | FAX: 330.264.2944 or 800.531.7335 | www.akronbrass.com

Parts List Sheet:

122540

WARRANTY AND DISCLAIMER*: We warrant Akron Brass products for a period of five (5) years* after purchase against defects in materials or workmanship. Akron Brass will repair or replace product which fails to satisfy this warranty. Repair or replacement shall be at the discretion of Akron Brass. Products must be promptly returned to Akron Brass for warranty service. We will not be responsible for: wear and tear; any improper installation, use, maintenance or storage; negligence of the owner or user; repair or modification after delivery; failure to follow our instructions or recommendations; or anything else beyond our control. WE MAKE NO WARRANTIES, EXPRESS OR IMPLIED, OTHER THAN THOSE INCLUDED IN THIS WARRANTY STATEMENT, AND WE DISCLAIM ANY IMPLIED WARRANTY OF MERCHANTABILITY OR FITNESS FOR ANY PARTICULAR PURPOSE. Further, we will not be responsible for any consequential, incidental or indirect damages (including, but not limited to, any loss of profits) from any cause whatsoever. No person has authority to change this warranty. *Unless otherwise provided herein. Akron Brass industrial electronic components & the Severe-Duty Monitor have a one (1) year warranty. Select Akron Brass handline nozzles and valves carry a ten (10) year warranty. Scene Star Lights carry a (6) year warranty. Weldon products have a two (2) year warranty from date of manufacture (excluding consumable components). Select Weldon LED products carry a five (5) year warranty. Honda products have the manufacturers' warranty and Akron Brass disclaims any warranty in respect of those products.

© 2016 Akron Brass Company. All rights reserved. No portion of this can be reproduced without the express written consent of the Akron Brass Company.



TECHNICAL SERVICE PARTS
STYLE 3352
PRODUCT TUCKAWAY RT W/SENSORS

IF AN ITEM IS NOTED AS "NOT FIELD REPAIRABLE", OR YOU WISH TO RETURN AN ITEM TO AKRON BRASS FOR SERVICE PLEASE GO ONLINE TO, **ONLINEREPAIR.AKRONBRASS.COM**

Chg.	Date
03	04-14
04	08-18

ITEM		DESCRIPTION	PART NUMBER	QTY
2		BASE INLET	122377	1
3		ELBOW INLET	127122	1
4		ELBOW MIDDLE	122375	1
5		ELBOW OUTLET	122378	1
6		RING BALL RETAINER	117690	1
7		GEAR OUTLET	117689	1
10		O-RING 2-238	757036	2
11	A	BALL BRASS 3/8"DIA	-	82
12		PLUG	742112	4
13		STOP	769596	2
14		O-RING 2-158	757326	1
15		SCREW SOC HD CAP 1/4 -20 X 3/4"	765030	5
16	B	BALL BRASS 1/2" DIA	-	74
17		O-RING 2-249	757075	1
18		O-RING 2-166	757366	1
20		PLUG	744337	1
21		STOP	769498	2
22		O-RING 2-236	757035	2
23		PLUG	744397	3
24		SCREW SOC HD CAP 7/16-14 X 1-1/4	765207	4
25		O-RING 2-237	757081	1
26		O-RING 2-014	757041	2
27		GEAR WORM	718273	2
28		WASHER THRUST	784121	8
29		BEARING NEEDLE	703453	4
30		BEARING	704393	2
31		SHAFT ELEVATION	770353	1
32		SHAFT ROTATION	770352	1
33		CAP BEARING	121467	2
34		O-RING 2-121	757329	2
35		BEARING ROLLER NEEDLE	704395	2
37	C	PIN ROLL	744118	2
38	C	CARRIER OUTPUT	707455	2
39		KEY SPECIAL	727044	2
40	C	GEAR PLANET	718165	12
41	C	PLATE CARRIER	742119	2
42	C	RIVET SHORT	754052	12

ITEM		DESCRIPTION	PART NUMBER	QTY
43		GEAR INTERNAL ELEVATION	718164	2
44		PIN ROLL 1/8	744288	4
45		O-RING 2-036	757312	2
46		SPRING BELLEVILLE	769276	8
47		SCREW SOC HD CAP 6-32 X 1 3/8"LG	767132	8
48		SCREW SOC HD CAP W/PATCH 6-32X1/2"	765052	8
49		O-RING 2-029	757056	2
50		HOUSING GEARBOX	109320	2
51		MOTOR, 12 VOLT	34911013	2
51		MOTOR, 24 VOLT	34911007	2
94		TAG ID	773330	1
95		NAIL	736052	4
96		SCREW SOC HD CAP NYLOCK 8-32 X 3/8	768058	3
97		CLAMP CABLE 5/16"	707548	2
98		SCREW SOC HD CAP 10-24 X 1 3/4"LG	767126	4
100		HARNES WIRING U2,	721632	1
101		SENSOR ASSEMBLY	60430006	2
102		MARKER POSITION MAGNET	731127	2
103		SHAFT ROTATION	770349	1
104		SHAFT ELEVATION	770348	1
105		PIN ROLL	744078	4
107		O-RING 2-010	757476	3
108		RING SNAP	758247	2
110		SHIM	769887	2
111		WASHER .732 X .238 X .060	784192	2
112		WASHER #8	784123	2
113		SCREW SOC HD CAP 8-32X3/4"LG	765178	4
114		SCREW SOC HD SET CUP PT 5/16-18X1/4	765071	4
115		KEEPER	120137	1
116		SCREW SOC HD CAP 6-32 X 3/8"	765175	1
117		SCREW SOC HD SET CUP PT 10-24 X 5/16"	765040	1
118		RING SNAP	758127	2
150		O-RING 2-110	757295	2
152		SCREW SOC HD CAP PATCH 10-24 X 3/8"	767029	3
153		CLAMP CABLE 7/16	707975	4
	A	KIT OF 50 BALLS 3/8" BRASS	109342	
	B	KIT OF 50 BALLS 1/2" BRASS	116252	
	C	REPAIR KIT	34400209	

PHONE: 330.264.5678 or 800.228.1161 | FAX: 330.264.2944 or 800.531.7335 | www.akronbrass.com

Parts List Sheet:

122540

WARRANTY AND DISCLAIMER*: We warrant Akron Brass products for a period of five (5) years* after purchase against defects in materials or workmanship. Akron Brass will repair or replace product which fails to satisfy this warranty. Repair or replacement shall be at the discretion of Akron Brass. Products must be promptly returned to Akron Brass for warranty service. We will not be responsible for: wear and tear; any improper installation, use, maintenance or storage; negligence of the owner or user; repair or modification after delivery; failure to follow our instructions or recommendations; or anything else beyond our control. **WE MAKE NO WARRANTIES, EXPRESS OR IMPLIED, OTHER THAN THOSE INCLUDED IN THIS WARRANTY STATEMENT, AND WE DISCLAIM ANY IMPLIED WARRANTY OF MERCHANTABILITY OR FITNESS FOR ANY PARTICULAR PURPOSE.** Further, we will not be responsible for any consequential, incidental or indirect damages (including, but not limited to, any loss of profits) from any cause whatsoever. No person has authority to change this warranty. *Unless otherwise provided herein. Akron Brass industrial electronic components & the Severe-Duty Monitor have a one (1) year warranty. Select Akron Brass handline nozzles and valves carry a ten (10) year warranty. Scene Star Lights carry a (6) year warranty. Weldon products have a two (2) year warranty from date of manufacture (excluding consumable components). Select Weldon LED products carry a five (5) year warranty. Honda products have the manufacturers' warranty and Akron Brass disclaims any warranty in respect of those products.
 © 2016 Akron Brass Company. All rights reserved. No portion of this can be reproduced without the express written consent of the Akron Brass Company.