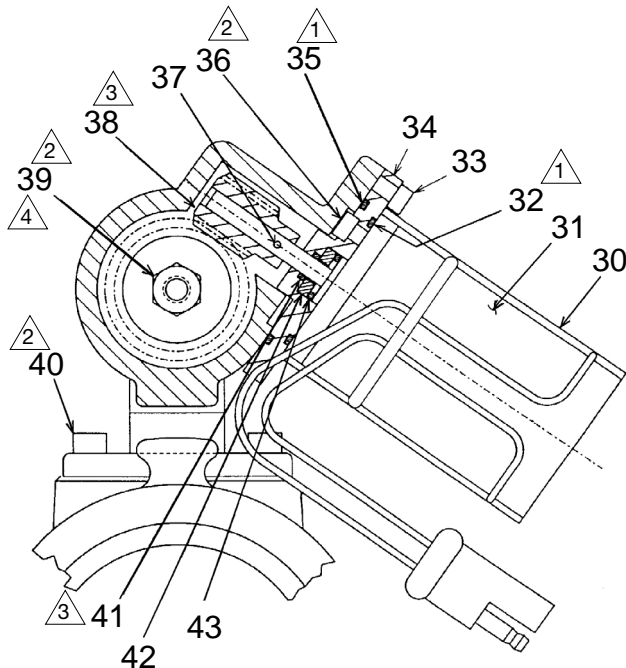
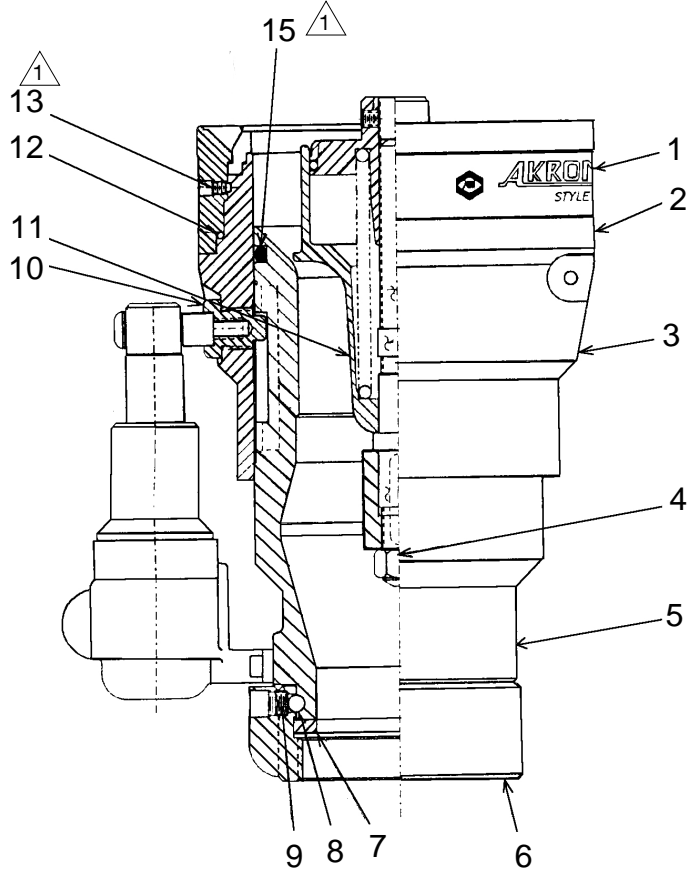
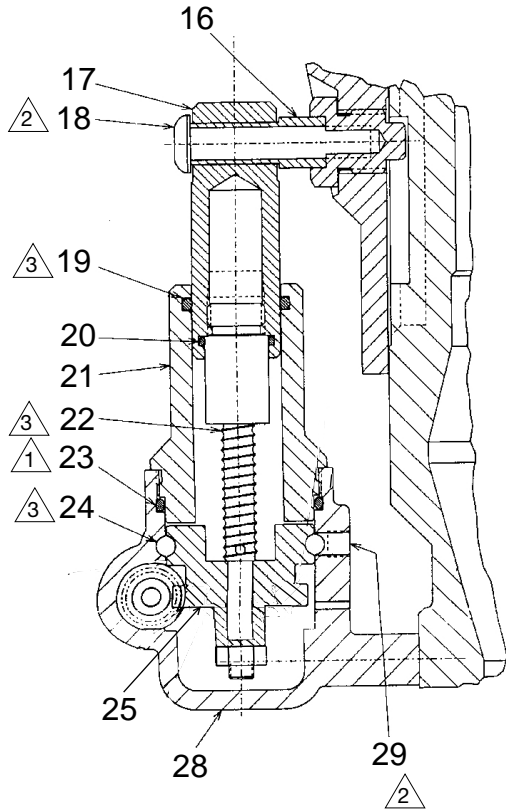


TECHNICAL SERVICE PARTS LIST



Assembly Notes:

- ① Use Parker O-Ring lubricant or equivalent petroleum based lubricant
- ② Use Loctite 222 or Permabond 113
- ③ Use Low-Temp Lubriplate
- ④ Torque to 40 in/lbs.

“IMPORTANT” INSTALLATION INSTRUCTIONS STYLE 5075

The Style 5075 has a full time swivel and must be locked in place as follows:

1. Thread the nozzle onto the monitor outlet.
2. Rotate the motor into required location.
3. Tighten the socket head set screw in the side of the swivel using a 3/16” hex wrench.
4. Plug in motor connector.

MAXIMUM OPERATING PRESSURE: 200 PSI.
FLOW RATING: 250-750 OR 250-1000 GPM AT 80 PSI.

WARNING: The electrical control system must incorporate a current limiting circuitry set for a maximum of 3 amps for 12 volts (1.5 amps for 24 volts). Without circuitry set motor may become inoperable if stalled during operation.



STYLE 5075
Electrically Controlled Akromatic® Nozzle
Flat Fog Pattern
TECHNICAL SERVICE PARTS LIST

ITEM NO.	DESCRIPTION	PART NUMBER	QUANTITY
1	Identification Band	7-04-574	1
2	Turbine Retaining Ring	115924	1
3	Pattern Sleeve	108378	1
4	Lock Nut	7-34-084	1
5	Throat	108380	1
6	Swivel (2-1/2" NH)**	101420	1
7	Swivel Gasket	7-17-043	1
8	Ball Bearings	***	38
9	Swivel Plug	7-42-043	1
10	Pattern Stop	7-69-509	1
11	Baffle Assembly††	506801	1
12	O-Ring	7-57-080	1
13	Socket Head Set Screw	7-67-103	3
15	O-Ring	7-57-319	1
16	Spacer	7-68-257	1
17	Screw Housing	108377	1
18	Button Head Screw	7-66-052	1
19	O-Ring	7-57-293	1
20	O-Ring	7-57-055	1
21	Tube Guide	108379	1
22	Drive Screw	7-67-135	1
23	O-Ring	7-57-048	1
24	Ball Bearings (Stainless Steel)	7-04-018	24
25	Gear	7-18-191	1
28	Housing	108385	1
29	Socket Head Set Screw	7-65-134	1
30*	Shrink Cap	7-07-125	1
31	12 V Motor Assembly†	5077-0009	1
31	24V Motor Assembly†	5077-0010	
32*	O-Ring	7-57-317	1
33*	Socket Head Cap Screw	7-65-150	4
34*	Motor Adapter	108383	1
35*	O-Ring	7-57-056	1
36*	Socket Head Cap Screw	7-65-175	4
37*	Roll Pin	7-44-341	1
38*	Worm Gear	7-85-021	1
39	Hex Nut	7-34-061	1
40	Socket Head Cap Screw	7-63-038	2
41*	O-Ring	7-57-318	1
42*	Spacer	7-68-258	1
43*	O-Ring	7-57-034	1

**For other threads order by description and thread size (ODM and TPI) or by Akron Thread Code.

***Packet of 50 Ball Bearings - P/N 109041

†Motor assembly includes asterisk items.

††Must specify either 750 or 1000 gpm



ISO 9001 REGISTERED COMPANY

PHONE: 330.264.5678 or 800.228.1161 | FAX: 330.264.2944 or 800.531.7335 | www.akronbrass.com

Available in Canada through AKRON MANUFACTURING COMPANY

PHONE: 519.773.8431 | FAX: 519.773.3794

REVISED 08/02

WARRANTY AND DISCLAIMER: We warrant Akron Brass products for a period of five (5) years after purchase against defects in materials or workmanship. Akron Brass will repair or replace product which fails to satisfy this warranty. Repair or replacement shall be at the discretion of Akron Brass. Products must be promptly returned to Akron Brass for warranty service.

We will not be responsible for: wear and tear; any improper installation, use, maintenance or storage; negligence of the owner or user; repair or modification after delivery; damage; failure to follow our instructions or recommendations; or anything else beyond our control. WE MAKE NO WARRANTIES, EXPRESS OR IMPLIED, OTHER THAN THOSE INCLUDED IN THIS WARRANTY STATEMENT, AND WE DISCLAIM ANY IMPLIED WARRANTY OF MERCHANTABILITY OR FITNESS FOR ANY PARTICULAR PURPOSE. Further, we will not be responsible for any consequential, incidental or indirect damages (including, but not limited to, any loss of profits) from any cause whatsoever. No person has authority to change this warranty.

© Premier Farnell Corporation. 2000 All rights reserved. No portion of this can be reproduced without the express written consent of Premier Farnell Corporation.

A Premier Farnell Company