



HANDWHEEL BRASS STORM STYLE 3690 INSTALLATION AND OPERATING INSTRUCTIONS

The following is intended to provide the basic information for installation, operating and maintenance of the Storm Monitor.

PRODUCT WARNING:

Maximum Flow: 2000 GPM

Maximum Pressure: 150 PSI

- The maximum flow of the Storm is 2000 GPM. The center of the waterway outlet is 20.65 inches from the bottom of the inlet flange. Ensure these values and an appropriate safety factor are used to determine a proper support structure.
- Charge the Storm Monitor slowly. Rapid charging may cause water hammer.
- Aim the Storm Monitor in a safe direction before pumping water through it.
- If any tags or bands are worn or damaged and cannot be easily read, they should be replaced.
- Exceeding the maximum pressure and flow of the monitor or nozzle may result in damage.

Figure 1

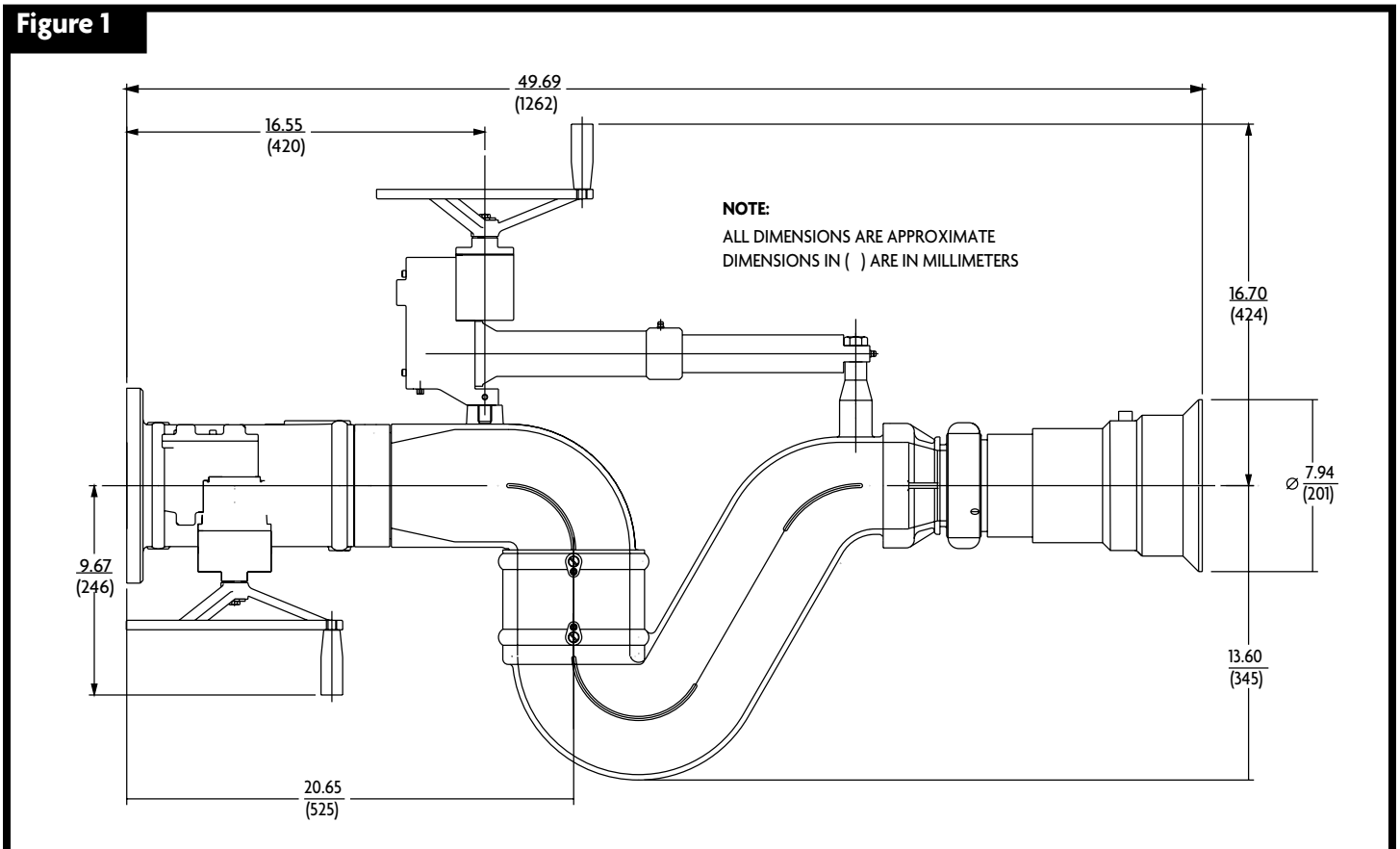
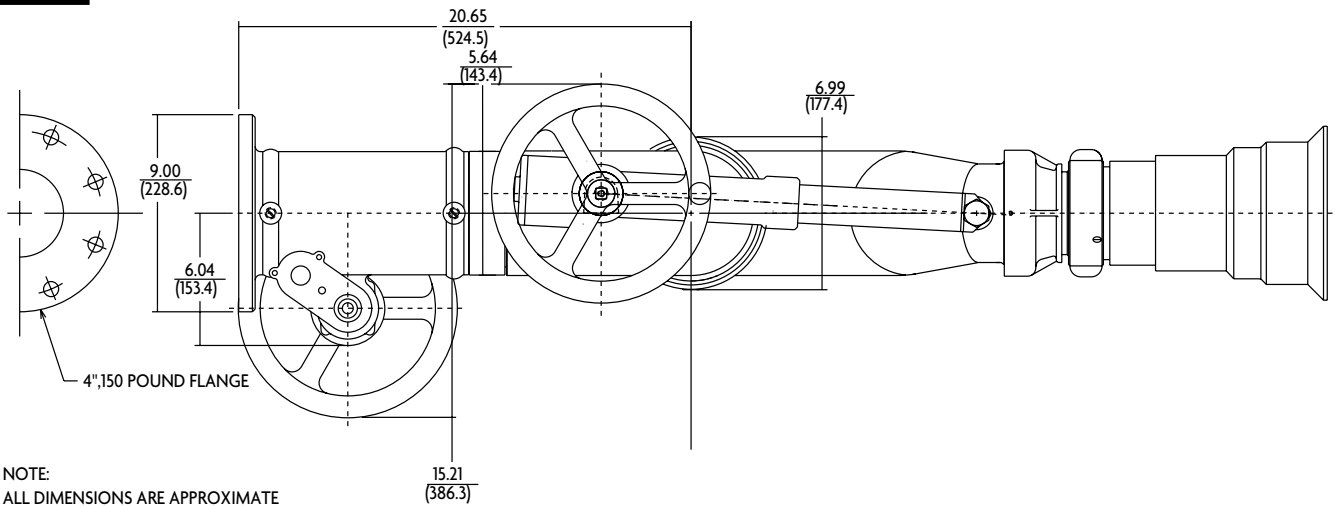


Figure 2



NOTE:
ALL DIMENSIONS ARE APPROXIMATE
DIMENSIONS IN () ARE IN MILLIMETERS
WEIGHT - 230 lbs WITH NOZZLE
185 lbs LESS NOZZLE
VERTICAL TRAVEL -45ft TO +85ft
HORIZONTAL TRAVEL 360ft CONTINUOUS.

GENERAL INSTRUCTIONS

- For fire fighting by trained fire fighters only.
- For use with water or standard fire fighting foams only. After use with foam, flush with fresh water.
- Do not install shutoffs on the outlet of the Storm.
- Do not install other devices to actuate the Storm.
- Do not add any type of air aspirated foam tube without consulting Akron Brass Customer Service.
- Drain the Storm Monitor and nozzle after use to prevent "freeze damage".
- Ensure that the thread in the nozzle swivel matches the thread on the Storm outlet. Do not over tighten the nozzle onto the Storm.
- Beware of pinch points.

MONITOR ATTACHMENT

The monitor is to be mounted on the waterway with eight 5/8 inch bolts and nuts of grade 5 minimum and suitable washers. The front of the monitor is opposite of the horizontal rotation handwheel.

OPERATING INSTRUCTIONS

The upper and lower handwheels are used to control the monitor. To change the horizontal monitor position toward the "RIGHT" or "LEFT" turn the lower handwheel clockwise or counter-clockwise until it is aimed in the desire direction. To change the vertical monitor position upward or downward, turn the upper handwheel clockwise or counter-clockwise until it is aimed in the desire direction.

⚠ CAUTIONS

Your brass Storm Monitor and nozzle should be inspected prior to and after each use to ensure it is in good operating condition. Periodically, an unanticipated incident occurs where the Storm is misused in a manner that is inconsistent with standard operating practices and those listed in IFSTA. A partial list of potential misuses includes:

- Operating above maximum rate pressure and flow.
- Not draining and allowing water to freeze inside.
- Prolonged exposure to temperatures above 130°F or below -25°F.
- Other misuses that might be unique to your specific environment.

Also, there are many “tell tale” signs that indicate repair is in order, such as:

- Handwheels that are either inoperable or difficult to operate.
- Excessive wear.
- Poor discharge performance.
- Water leaks.
- Bent handwheel shafts.

If any of the above situations are encountered, the Storm should be taken out of service, repaired and tested by a qualified technician before placing it back in service.

ROTATION/ELEVATION

The Storm Monitor has continuous 360° horizontal rotation.

The vertical elevation is set at -45° below horizontal to 85° above horizontal.

MAINTENANCE INSTRUCTIONS

- Periodically clean grit and dirt from around exterior moving parts.
- Periodically operate all the functions of the monitor through its full travel.
- Periodically lubricate the grease fittings with lubriplate low-temp or equivalent. Inject the lubricant until it becomes visible from the bleeder hole on the opposite side of the fittings.



ISO 9001 REGISTERED COMPANY

PHONE: 330.264.5678 or 800.228.1161 | FAX: 330.264.2944 or 800.531.7335 | akronbrass.com

REVISED: 7/11

WARRANTY AND DISCLAIMER: We warrant Akron Brass products for a period of five (5) years after purchase against defects in materials or workmanship. Akron Brass will repair or replace product which fails to satisfy this warranty. Repair or replacement shall be at the discretion of Akron Brass. Products must be promptly returned to Akron Brass for warranty service.

We will not be responsible for: wear and tear; any improper installation, use, maintenance or storage; negligence of the owner or user; repair or modification after delivery; damage; failure to follow our instructions or recommendations; or anything else beyond our control. WE MAKE NO WARRANTIES, EXPRESS OR IMPLIED, OTHER THAN THOSE INCLUDED IN THIS WARRANTY STATEMENT. AND WE DISCLAIM ANY IMPLIED WARRANTY OF MERCHANTABILITY OR FITNESS FOR ANY PARTICULAR PURPOSE. Further, we will not be responsible for any consequential, incidental or indirect damages (including, but not limited to, any loss of profits) from any cause whatsoever. No person has authority to change this warranty.

© Akron Brass Company. 2011 All rights reserved. No portion of this can be reproduced without the express written consent of Akron Brass Company.