



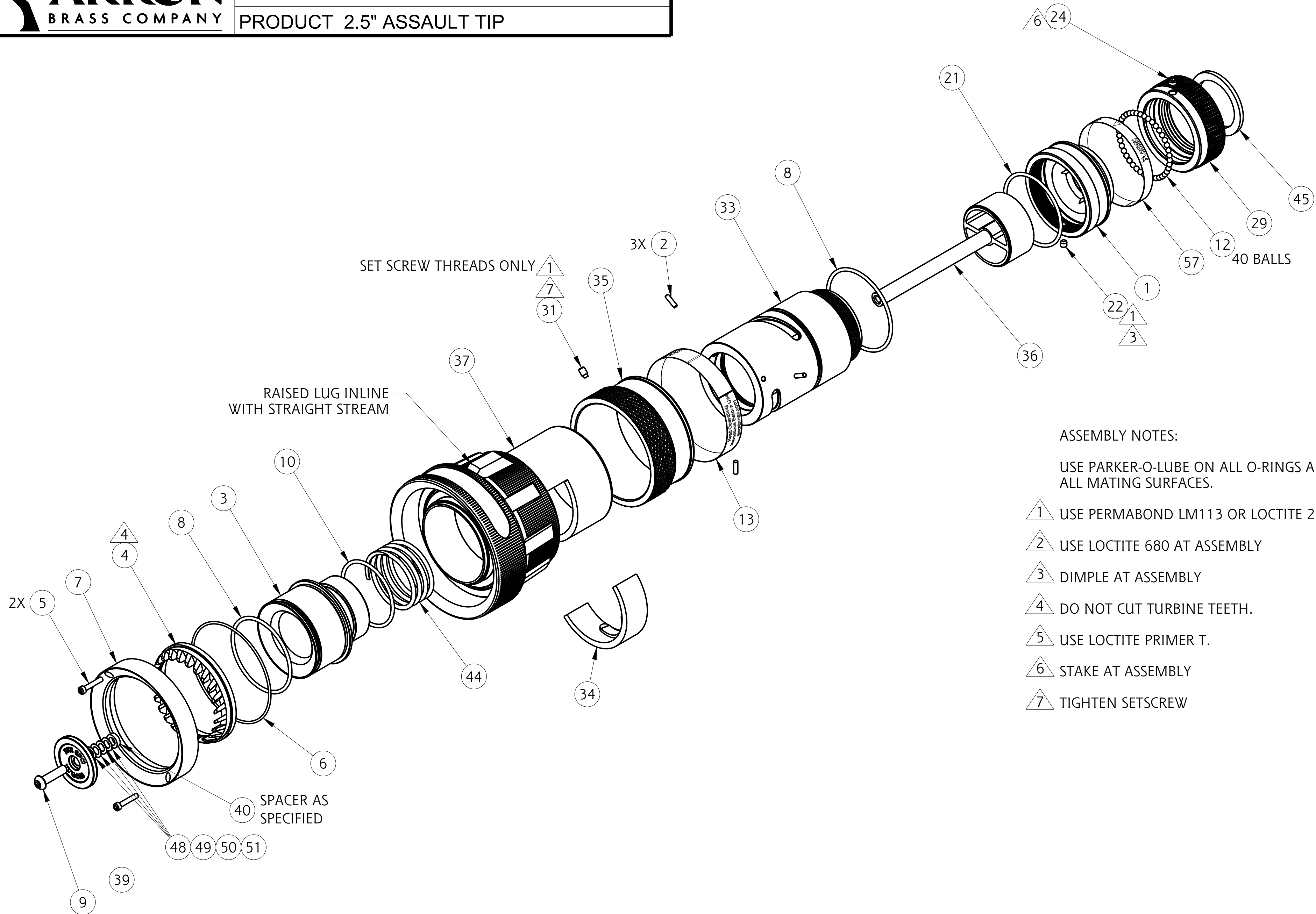
TECHNICAL SERVICE PARTS

STYLE 4824

PRODUCT 2.5" ASSAULT TIP

IF AN ITEM IS NOTED AS "NOT FIELD REPAIRABLE", OR YOU WISH TO RETURN AN ITEM TO AKRON BRASS FOR SERVICE PLEASE GO ONLINE TO, [ONLINEREPAIR.AKRONBRASS.COM](http://ONLINEREPAIR.AKRONBRASS.COM)

Chg.	Date
00	12-18
01	02-20



PHONE: 330.264.5678 or 800.228.1161 | FAX: 330.264.2944 or 800.531.7335 | [www.akronbrass.com](http://www.akronbrass.com)

**WARRANTY AND DISCLAIMER\***: We warrant Akron Brass products for a period of five (5) years\* after purchase against defects in materials or workmanship. Akron Brass will repair or replace product which fails to satisfy this warranty. Repair or replacement shall be at the discretion of Akron Brass. Products must be promptly returned to Akron Brass for warranty service. We will not be responsible for: wear and tear; any improper installation, use, maintenance or storage; negligence of the owner or user; repair or modification after delivery; failure to follow our instructions or recommendations; or anything else beyond our control. WE MAKE NO WARRANTIES, EXPRESS OR IMPLIED, OTHER THAN THOSE INCLUDED IN THIS WARRANTY STATEMENT, AND WE DISCLAIM ANY IMPLIED WARRANTY OF MERCHANTABILITY OR FITNESS FOR ANY PARTICULAR PURPOSE. Further, we will not be responsible for any consequential, incidental or indirect damages (including, but not limited to, any loss of profits) from any cause whatsoever. No person has authority to change this warranty. \*Unless otherwise provided herein. Akron Brass industrial electronic components & the Severe-Duty Monitor have a one (1) year warranty. Select Akron Brass handline nozzles and valves carry a ten (10) year warranty. Scene Star Lights carry a (6) year warranty. Weldon products have a two (2) year warranty from date of manufacture (excluding consumable components). Select Weldon LED products carry a five (5) year warranty. Honda products have the manufacturers' warranty and Akron Brass disclaims any warranty in respect of those products.

Parts List Sheet:

127505



**TECHNICAL SERVICE PARTS**

STYLE 4824

PRODUCT 2.5" ASSAULT TIP

IF AN ITEM IS NOTED AS "NOT FIELD REPAIRABLE", OR YOU WISH TO RETURN AN ITEM TO AKRON BRASS FOR SERVICE PLEASE GO ONLINE TO, **ONLINEREPAIR.AKRONBRASS.COM**

Chg.	Date
00	12-18
01	02-20

FIND		DESCRIPTION	ITEM	QTY
1		ADAPTER BASE	127504	1
2		PIN THROAT	741072	3
3		THROAT	127500	1
4		TEETH TURBINE	772160	1
5		SCREW SOCKET HEAD CAP #6-32 X 3/4"	765138	2
6		O-RING 5-816	757324	1
7		RING RETAINER	127503	1
8		O-RING 2-141	757323	2
9		SCREW SOCKET BUTTON HEAD CAP 1/4-20 X 1"	765182	1
10		O-RING 2-137	757266	1
12	A	BALL STAINLESS STEEL 5/32" DIA.	-	40
13		BAND PATTERN INDICATOR - YELLOW	803391	1
21		O-RING 2-140	757265	1
22		SCREW SOCKET HEAD CUP POINT SET #10-24 X 3/16"	765024	1
24		SCREW SOCKET HEAD CUP POINT LOC WELL SET 1/4-20 X 1/4"	765083	1
29	*	SWIVEL 1.5"ABU (FDNY)	127510	1
29	*	SWIVEL 1.5"NH	127213	1
29	*	SWIVEL 1.5"NPSH	127215	1
29	*	SWIVEL 1.5"BSP	127216	1
31		SCREW SOCKET HEAD FULL DOG SET #10-24 X 5/16"	767088	1
33		BODY NOZZLE	127499	1
34		INSERT CAM	723036	1
35		RING PATTERN SLEEVE	127502	1
36		STEM/SPIDER S/A	124974	1
37		BUMPER/PATTERN SLEEVE S/A	48244005	1
39		HEAD BAFFLE 250GPM@100PSI	127498	1
39		HEAD BAFFLE 300GPM@75PSI	127495	1
39		HEAD BAFFLE 350GPM@100PSI	127497	1
39		HEAD BAFFLE 250GPM@50PSI	127496	1
40	**	SPACER .057" GREEN	768247	1
40	**	SPACER .127" BLACK	768264	1
40	**	SPACER .085" WHITE	768263	1
44		SPRING	768262	1
45		GASKET	717042	1
48	**	SHIM BAFFLE GREEN	-	1
49	**	SHIM BAFFLE BROWN	-	1
50	**	SHIM BAFFLE BLUE	-	5
51	**	SHIM BAFFLE PINK	-	1
57		BAND INDICATOR - YELLOW	803390	1
A		KIT OF 50 BALLS: 5/32" DIA. STAINLESS STEEL	120870	

\* FOR OTHER THREADS ORDER BY DESCRIPTION AND THREAD SIZE.  
 \*\* SHIMS INSTALLED AT FACTORY AS NEEDED FOR FINAL FLOW CALIBRATION

PHONE: 330.264.5678 or 800.228.1161 | FAX: 330.264.2944 or 800.531.7335 | www.akronbrass.com

Parts List Sheet:

127505

WARRANTY AND DISCLAIMER\*: We warrant Akron Brass products for a period of five (5) years\* after purchase against defects in materials or workmanship. Akron Brass will repair or replace product which fails to satisfy this warranty. Repair or replacement shall be at the discretion of Akron Brass. Products must be promptly returned to Akron Brass for warranty service. We will not be responsible for: wear and tear; any improper installation, use, maintenance or storage; negligence of the owner or user; repair or modification after delivery; failure to follow our instructions or recommendations; or anything else beyond our control. WE MAKE NO WARRANTIES, EXPRESS OR IMPLIED, OTHER THAN THOSE INCLUDED IN THIS WARRANTY STATEMENT, AND WE DISCLAIM ANY IMPLIED WARRANTY OF MERCHANTABILITY OR FITNESS FOR ANY PARTICULAR PURPOSE. Further, we will not be responsible for any consequential, incidental or indirect damages (including, but not limited to, any loss of profits) from any cause whatsoever. No person has authority to change this warranty. \*Unless otherwise provided herein. Akron Brass industrial electronic components & the Severe-Duty Monitor have a one (1) year warranty. Select Akron Brass handline nozzles and valves carry a ten (10) year warranty. Scene Star Lights carry a (6) year warranty. Weldon products have a two (2) year warranty from date of manufacture (excluding consumable components). Select Weldon LED products carry a five (5) year warranty. Honda products have the manufacturers' warranty and Akron Brass disclaims any warranty in respect of those products.  
 © 2016 Akron Brass Company. All rights reserved. No portion of this can be reproduced without the express written consent of the Akron Brass Company.