



INSTALLATION/OPERATION INSTRUCTIONS STYLE 3626 & 3627 FOAM NOZZLE

The Akron Style 3626 & 3627 foam nozzle incorporates a manually operated pattern control and can be used on any suitable fire fighting monitor. The following instructions are for the installation of this product.

INSTALLATION

Use the following installation instructions for nozzles supplied with the optional 3 1/2" swivel

1. Thread nozzle onto the monitor outlet and tighten with a strap (web) wrench.
2. Rotate the nozzle until the dispersion blades are in a horizontal position.
3. Tighten the socket head set screw in the side of the swivel using a 3/16" hex wrench. (The screw is a cone point type which wedges between two ball bearings and locks swivel.)

RATINGS (as specified)

- 800 gpm (3000 lpm) @ 150 psi (10 bar)
- 1000 gpm (3785 lpm) @ 150 psi (10 bar)
- 200/660 gpm (750/2500 lpm) @ 100 psi (7 bar)

OPERATION

To change the stream of the nozzle: Pull the handle back to open the blades - straight stream. Push the handle forward to close the blades - fog.

PRODUCT RATINGS

Maximum operating pressure 200 psi/14 bar

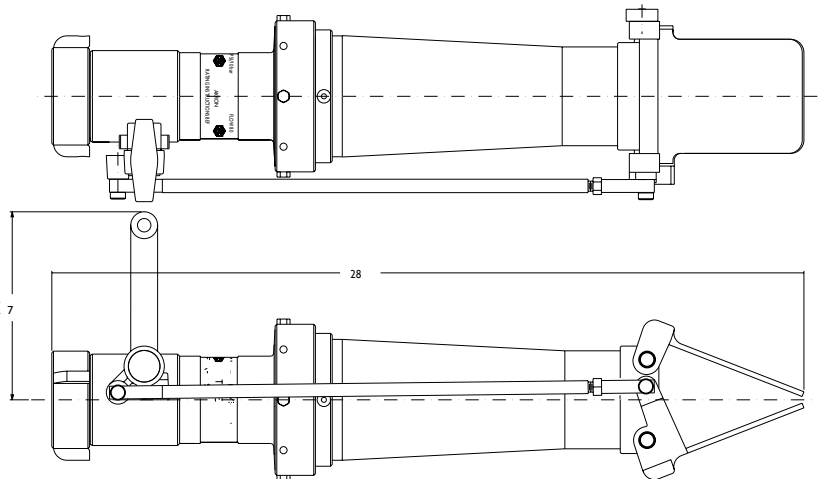


Figure A

PRODUCT WARNINGS

- ⚠ WARNING:** Charge all lines slowly to facilitate a controlled water pressure build-up during start-up. Open and close slowly. Rapid opening will produce sudden thrust. Rapid opening and closing can cause water hammer. Have your monitor properly supported to control the reaction force created by the stream.
- ⚠ WARNING:** At pressures below that indicated on the label, the nozzle will have reduced flow and reach. Be sure you have enough flow and pressure for the situation (See IFSTA and NFPA manuals for guidelines).
- ⚠ WARNING:** Ensure the nozzle is aimed in a direction that is safe, prior to flowing.
- ⚠ WARNING:** Do not use nozzle as a forcible entry tool. Doing so may damage it or make it inoperable.
- ⚠ WARNING:** Ensure the thread on the nozzle swivel is matched th the thread on the monitor.

PRODUCT CAUTIONS

- ⚠ CAUTION:** If any tags or bands on the nozzle are worn or damaged and cannot be easily read, they should be replaced.
- ⚠ CAUTION:** For use with fresh water or standard fire fighting foams only. Not recommended for use with salt water. After use with foam or salt water, flush with fresh water.
- ⚠ CAUTION:** For firefighting use only.
- ⚠ CAUTION:** Do not overtighten the nozzle onto the hose connection.
- ⚠ CAUTION:** The nozzle is configured for optimum performance. Do not alter in any manner.
- ⚠ CAUTION:** Your nozzle should be inspected prior and after each use, to ensure it is in good operating condition. Periodically, an unanticipated incident may occur where the nozzle is used in a manner that is inconsistent with standard operating practices and those listed in IFSTA. A partial list of potential misuses follows:



Tested. Proven. Trusted.

ISO 9001 REGISTERED COMPANY

PHONE: 330.264.5678 or 800.228.1161 | FAX: 330.264.2944 or 800.531.7335 | akronbrass.com

REVISED: 12/16

WARRANTY AND DISCLAIMER: We warrant Akron Brass products for a period of five (5) years after purchase against defects in materials or workmanship. Akron Brass will repair or replace product which fails to satisfy this warranty. Repair or replacement shall be at the discretion of Akron Brass. Products must be promptly returned to Akron Brass for warranty service.

We will not be responsible for: wear and tear; any improper installation, use, maintenance or storage; negligence of the owner or user; repair or modification after delivery; damage; failure to follow our instructions or recommendations; or anything else beyond our control. WE MAKE NO WARRANTIES, EXPRESS OR IMPLIED, OTHER THAN THOSE INCLUDED IN THIS WARRANTY STATEMENT, AND WE DISCLAIM ANY IMPLIED WARRANTY OF MERCHANTABILITY OR FITNESS FOR ANY PARTICULAR PURPOSE. Further, we will not be responsible for any consequential, incidental or indirect damages (including, but not limited to, any loss of profits) from any cause whatsoever. No person has authority to change this warranty.

© Akron Brass Company, 2016 All rights reserved. No portion of this can be reproduced without the express written consent of Akron Brass Company.