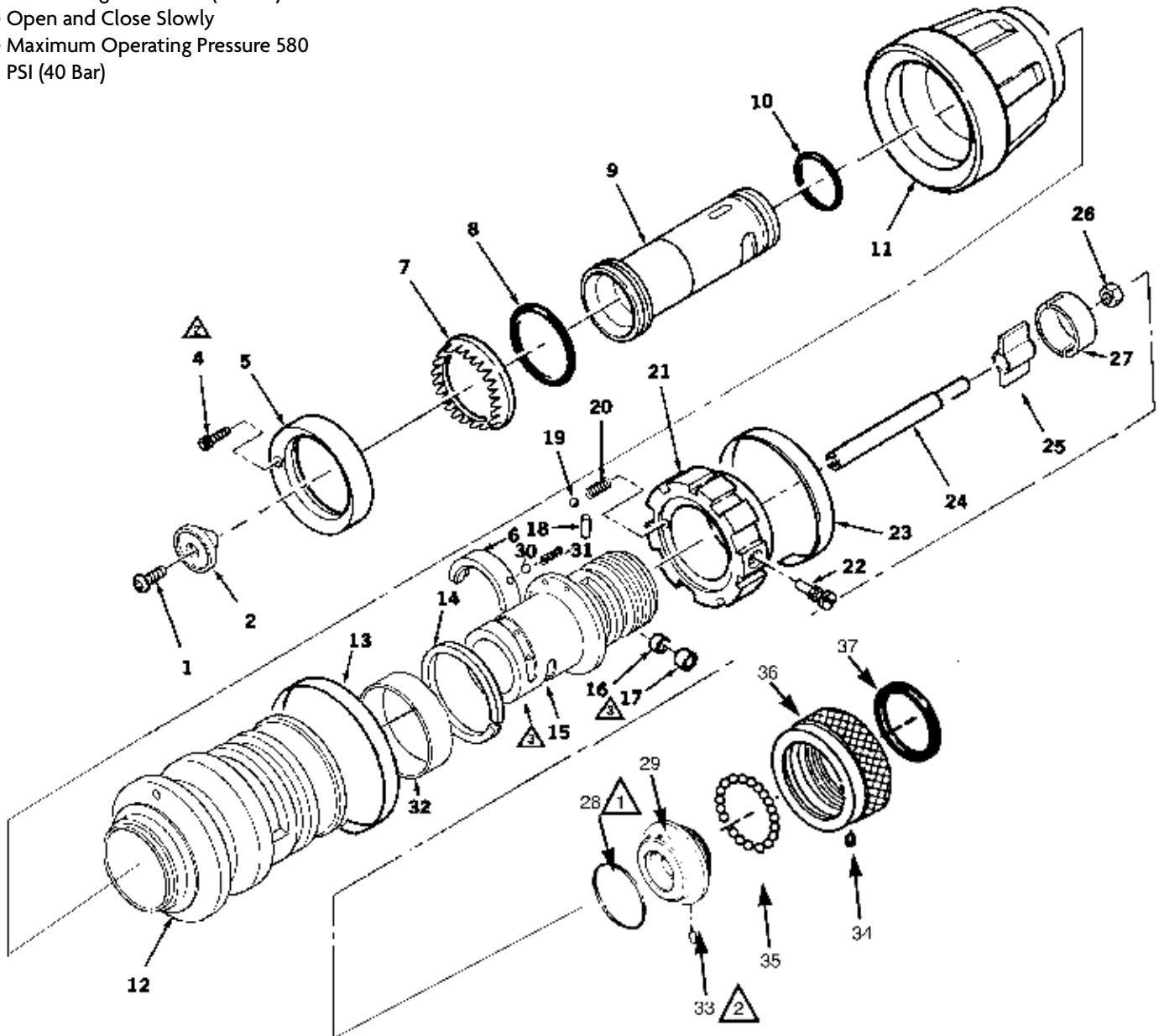


OPERATING INSTRUCTIONS

- Flow Ratings at 100 PSI (6.7 Bar)
- Open and Close Slowly
- Maximum Operating Pressure 580 PSI (40 Bar)



Pulsing the shutoff can be accomplished with the Style 1701/1702 Turbojet nozzles. However, you must assure that all equipment used with the nozzles can withstand the resulting peak pressures and that the fire fighter is aware and can effectively support the sudden change in nozzle reaction when pulsing.

ASSEMBLY NOTES:

- ▲ Use Parker-O-Lube on all O-Rings
- ▲ Use PermaBond LM 113 or Loctite 222 at assembly.
- ▲ Use Low-Temp Lubriplate



**STYLE 1703
1" TURBOJET® TIP
WITH 1 1/2" SWIVEL
4 FLOW SETTINGS
TECHNICAL SERVICE PARTS LIST**

ITEM NO.	DESCRIPTION	PART NUMBER	QUANTITY
1	Socket Head Cap Screw	765179	1
2	Baffle Head	116362	1
3	Not Used	—	—
4	Socket Head Cap Screw	767094	2
5	Turbine Retaining Ring	109437	1
6	Insert	723023	1
7*	Turbine Teeth	772024	1
8	O-Ring	757242	1
9	Discharge Tube	116423	1
10	O-Ring	757344	1
11	Bumper	704583	1
12	Pattern Sleeve (Not Shown)	116424	1
13	Pattern Band	703514	1
14	Seal	729351	1
15	Nozzle Body	116419	1
16	Cam Roller—Short	758210	1
17	Cam Roller—Long	758211	1
18	Key Pin	727034	1
19	Detent Ball	704018	1
20	Detent Spring	769111	1
21	Discharge Control Ring	758230	1
22	Cam Axle	707252	1
23	Discharge Control Band—GPM	703521	1
23	Discharge Control Band—LPM	703520	1
24	Stem	116422	1
25	Spider	769594	1
26	Hex Nut	735011	
27	Spider Retainer	176363	1
28	O-Ring	757048	1
29	Adapter	116427	1
30	Detent Ball	704585	2
31	Spring	768293	2
32	Ring	758229	1
33	Set Screw	765040	1
33	Not Used	—	—
34	Set Screw	765008	1
35	Ball Bearing†	109042	54
36	Swivel	108313	
37	Gasket	717047	

†Packet of 50 balls.



PHONE: 330.264.5678 or 800.228.1161 | FAX: 330.264.2944 or 800.531.7335 | akronbrass.com

REVISED: 7/11

WARRANTY AND DISCLAIMER: We warrant Akron Brass products for a period of five (5) years after purchase against defects in materials or workmanship. Akron Brass will repair or replace product which fails to satisfy this warranty. Repair or replacement shall be at the discretion of Akron Brass. Products must be promptly returned to Akron Brass for warranty service.

We will not be responsible for: wear and tear; any improper installation, use, maintenance or storage; negligence of the owner or user; repair or modification after delivery; damage; failure to follow our instructions or recommendations; or anything else beyond our control. WE MAKE NO WARRANTIES, EXPRESS OR IMPLIED, OTHER THAN THOSE INCLUDED IN THIS WARRANTY STATEMENT, AND WE DISCLAIM ANY IMPLIED WARRANTY OF MERCHANTABILITY OR FITNESS FOR ANY PARTICULAR PURPOSE. Further, we will not be responsible for any consequential, incidental or indirect damages (including, but not limited to, any loss of profits) from any cause whatsoever. No person has authority to change this warranty.

© Akron Brass Company, 2011 All rights reserved. No portion of this can be reproduced without the express written consent of Akron Brass Company.