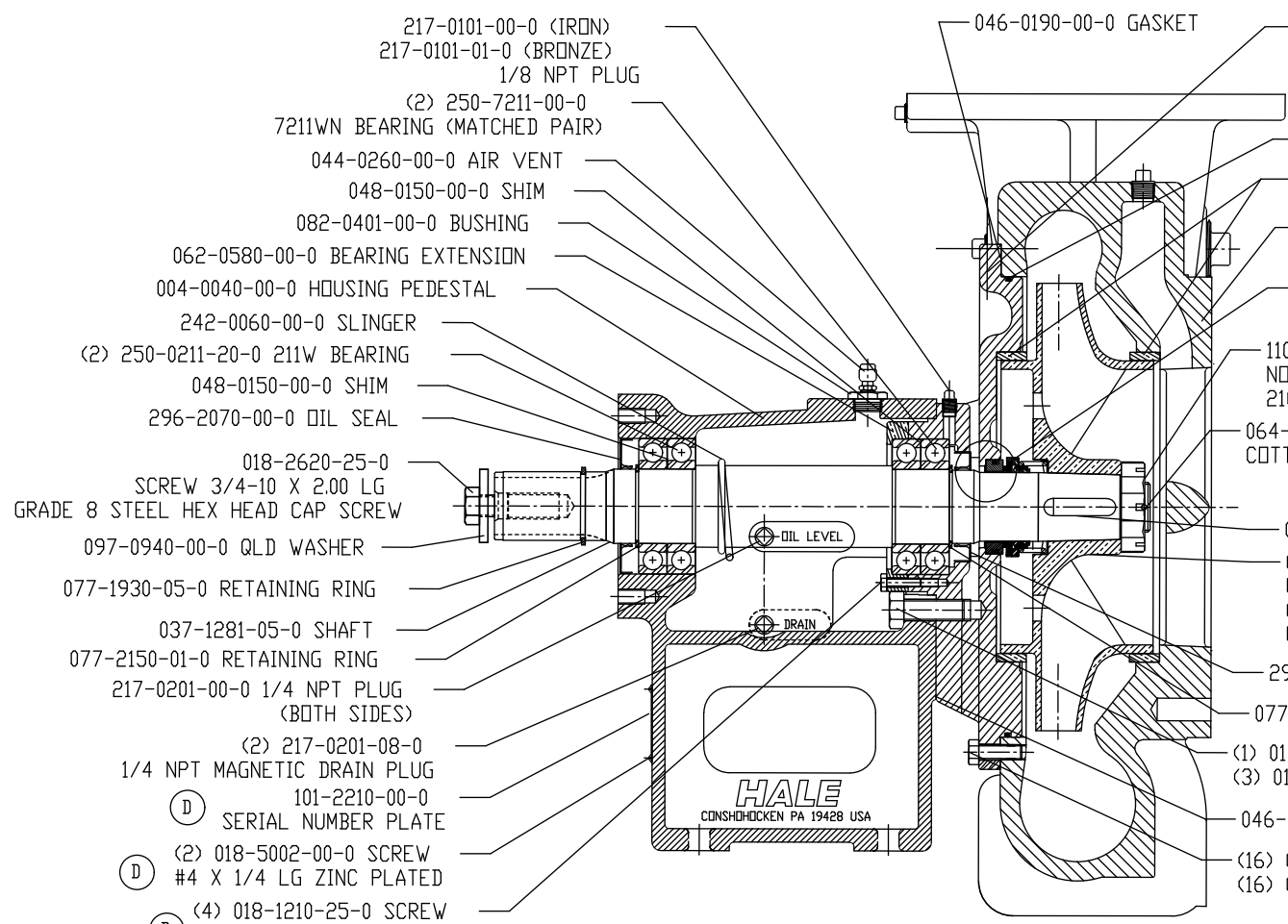
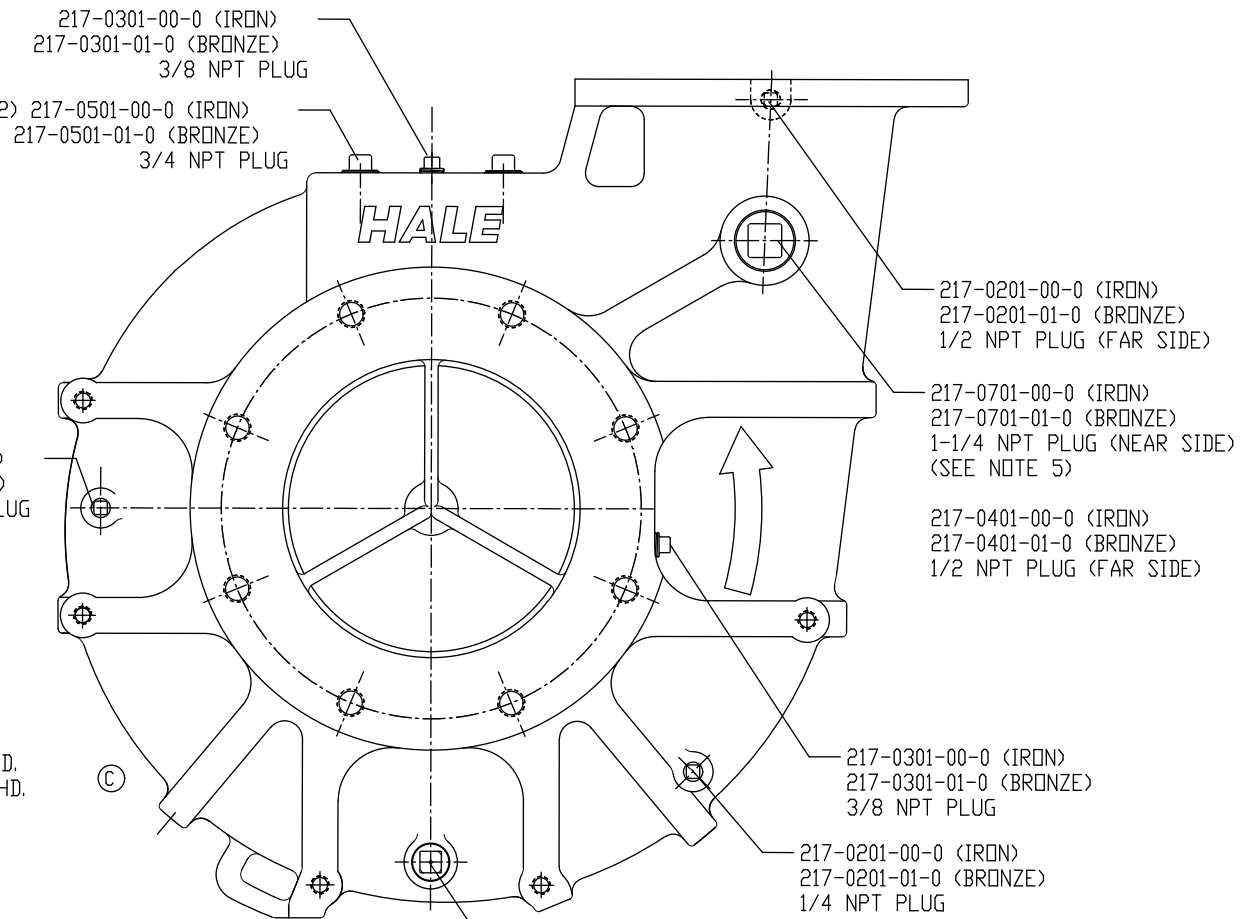


HALE RME, 80FC-U, 8FG-U & 8FC PEDESTAL PUMPS

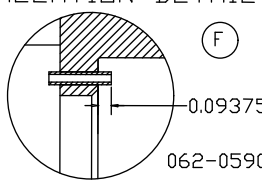
PL944BE



BOTTOM MOUNT PEDESTAL



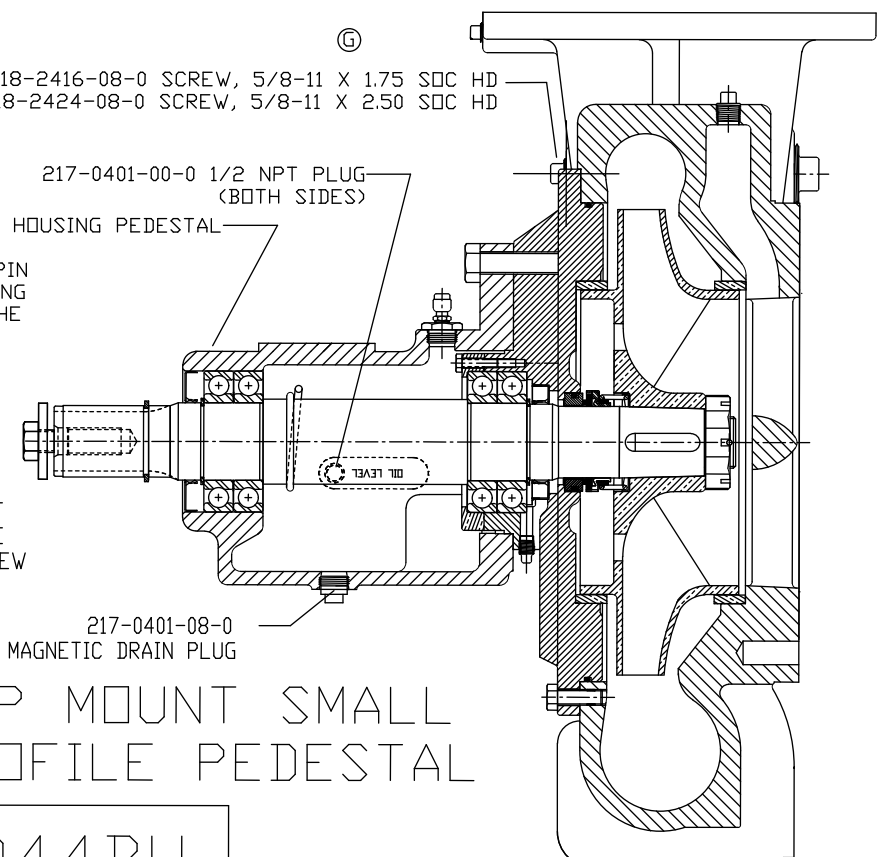
SPRING PIN
INSTALLATION DETAIL



- (3) 018-2416-08-0 SCREW, 5/8-11 X 1.75 SOC HD
- (1) 018-2424-08-0 SCREW, 5/8-11 X 2.50 SOC HD

INSTALL 064-20304-006 ROLL PIN IN PIN HOLE IN 002-0051-07-0 BEARING HOUSING TO THE DEPTH SHOWN ABOVE USING THE 631-0051-000 PUNCH

NOTE: BOTTOM MOUNT SMALL PROFILE PEDESTAL USES SAME HOUSING, FITTINGS, AND HARDWARE AS SHOWN FOR TOP MOUNT SMALL PROFILE PEDESTAL. SMALL PROFILE PEDESTAL CAN BE ROTATED 180° FROM VIEW SHOWN TO BE USED AS BOTTOM MOUNT.



TOP MOUNT SMALL
PROFILE PEDESTAL

NOTES

- CAUTION: ALL FASTENERS ON THIS UNIT HAVE BEEN SELECTED PER THEIR APPLICATION. HALE PRODUCTS DOES NOT RECOMMEND REPLACING FASTENERS WITH ANYTHING OTHER THAN HALE PART NUMBERS PROVIDED. REPLACING WITH A WEAKER ALTERNATIVE POSES A SAFETY RISK.
- ALL FASTENERS SHALL BE INSTALLED WITH A THREAD LOCKING ANAEROBIC ADHESIVE/SEALANT: LOCTITE #246 HIGH TEMPERATURE THREADLOCKER OR EQUIVALENT.
- MECHANICAL SEALS ARE TO BE INSTALLED USING PAC-EASE RUBBER LUBRICANT EMULSION OR EQUIVALENT, A SOFT, CLEAN PUSHER TUBE, AND A SEAL RAMP.
- PARTS NOT SHOWN IN THIS DRAWING INCLUDE:
101-0310-00-0 GEARBOX OIL WARNING TAG
101-0361-00-0 UNIT WARNING DECAL
^D (2) 101-0450-00-0 HALE DECAL
- FOR MOUNTING DIMENSIONS, SUCTION/DISCHARGE OPTIONS AND ANODE/THERMAL RELIEF VALVE OPTIONS, REFER TO LATEST REVISION OF PL1125.

TORQUE TABLE

SCREW SIZE	GRADE 5		GRADE 8	
	lbs-ft	Nm	lbs-ft	Nm
1/4-20	8	11	12	16
5/16-18	17	22	25	33
3/8-16	30	41	45	61
7/16-14	50	67	70	94
1/2-20	90	122	120	162
3/4-10	260	352	380	514

ECD NO	REV	CHANGED FROM	BY	DATE	APVD
1061	C	018-2426-12-0; ADDED 018-1814-25-0	JRP	03-04-11	PRW
3497	D	REPLACED 217-0501-00-0 WITH 038-0230-00-0 REPLACED 101-0500-00-0 WITH 101-2210-00-0 018-5002-00-0 QTY WAS 4 & ADDED 101-0450-00-0 UPGRADED TO GRADE 8 HARDWARE	JSJ	06-29-15	AJG
4374	E	MISSING ROLL PIN FOR MECH SEAL	DMB	03-13-18	JLS
4397	F	MISSING ROLL PIN FOR MECH SEAL	DMB	4-10-18	MS
5675	G	REPLACED 018-2424-25-0 WITH 018-2424-08-0	KTN	02-01-22	MS
6165	H	REPLACED 040-2790-00-0 WITH 040-90006-000	JRW	4-27-23	AJG



HALE PRODUCTS, INC.
A Unit of IDEX Corporation
Conshohocken, PA 19428 USA

NOT TO BE REPRODUCED OR USED TO MAKE OTHER DRAWINGS OR MACHINERY. DRAWN JRP CHECKED MAL DATE 03-31-09 SIZE B SCALE: NTS

PLATE NO. 944BH