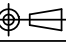
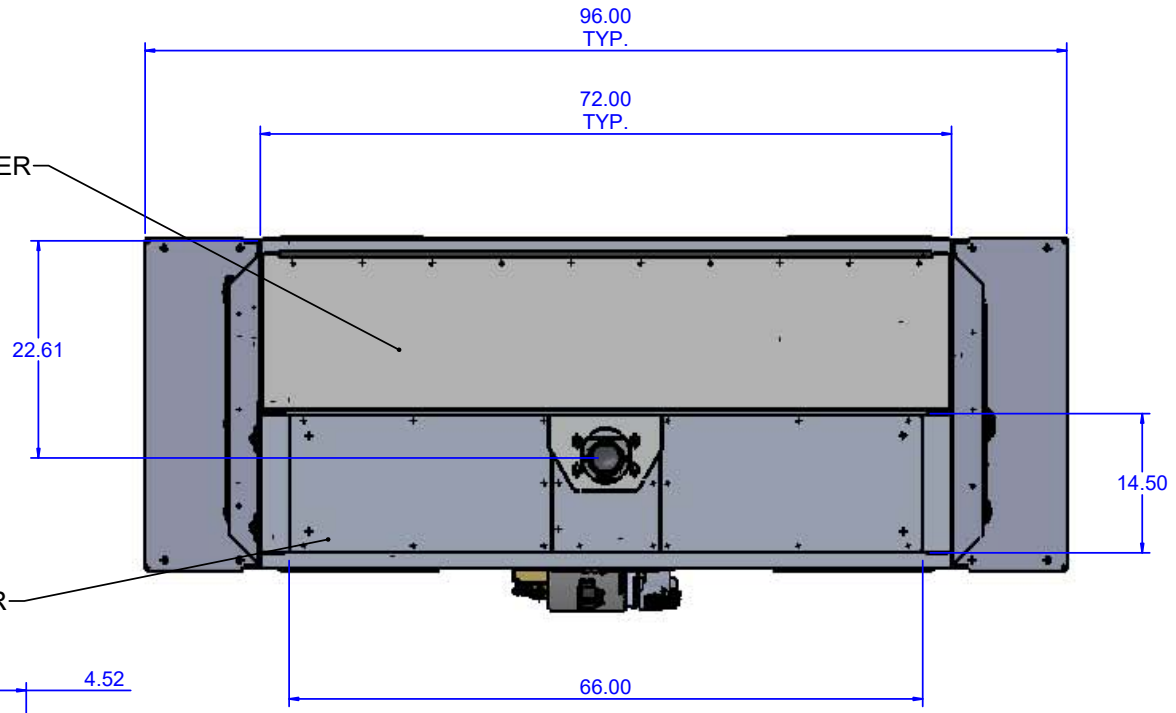
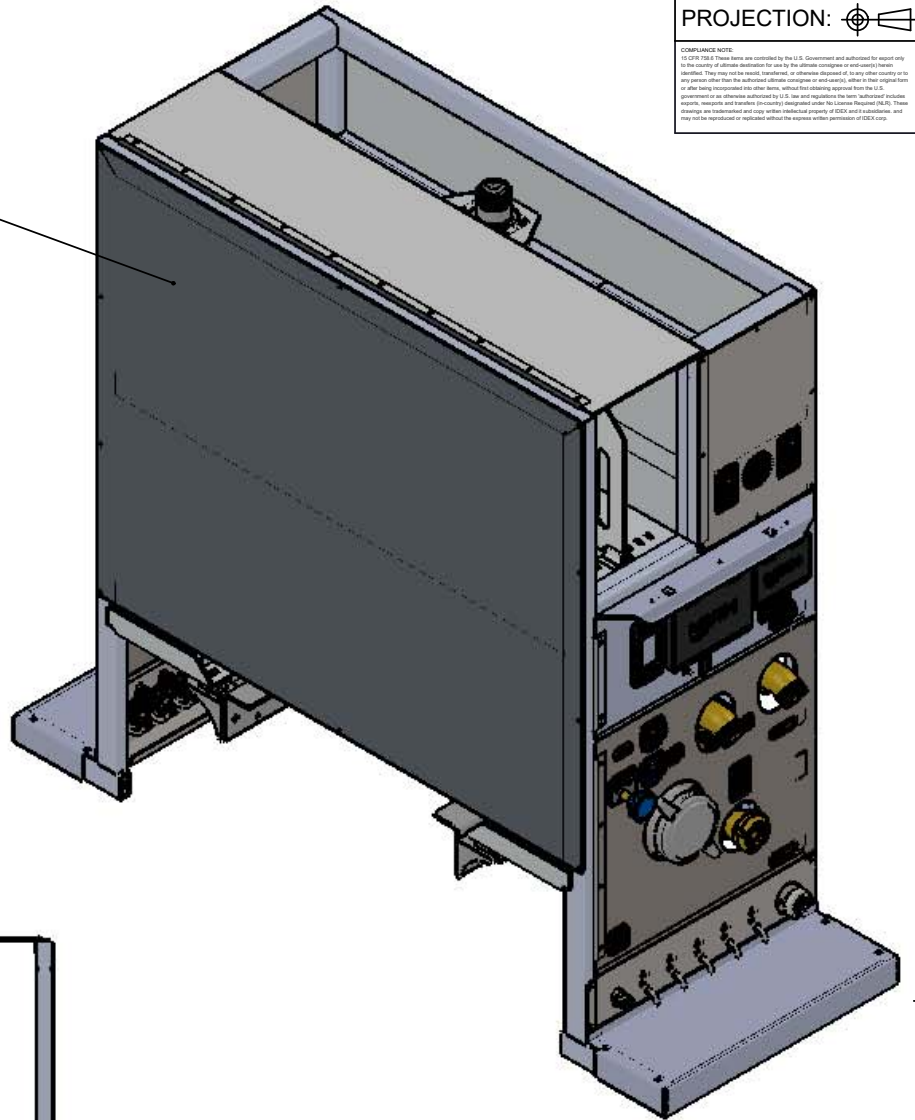


IF IN DOUBT ASK

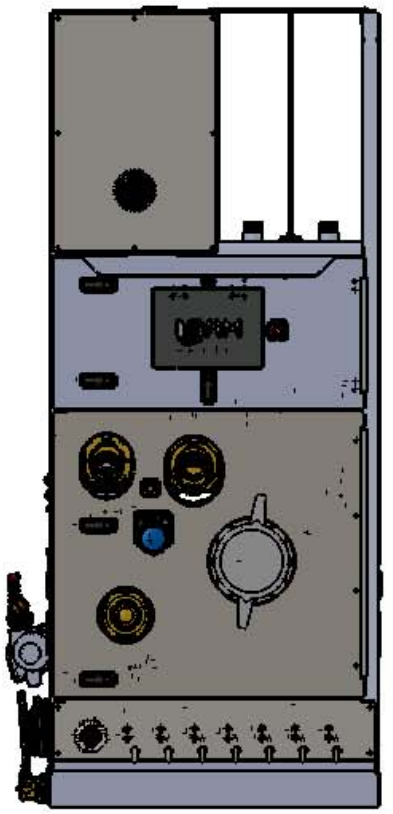
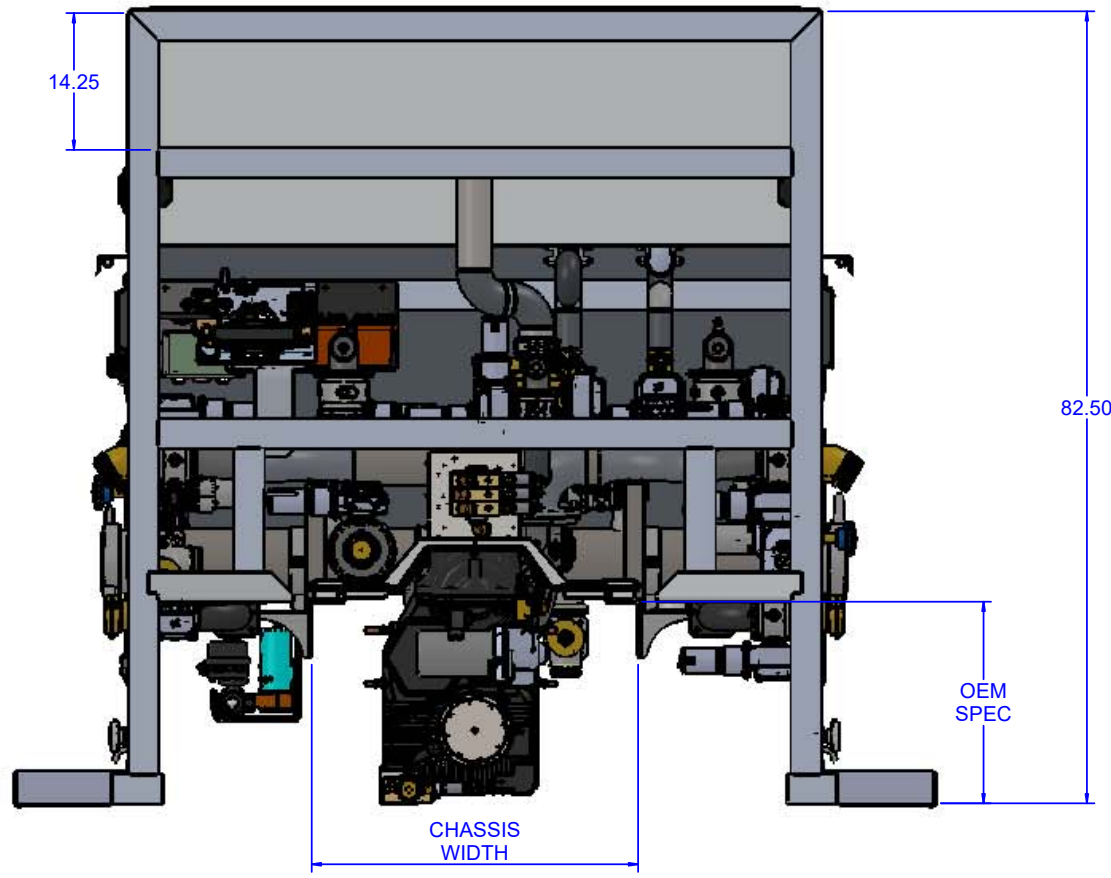
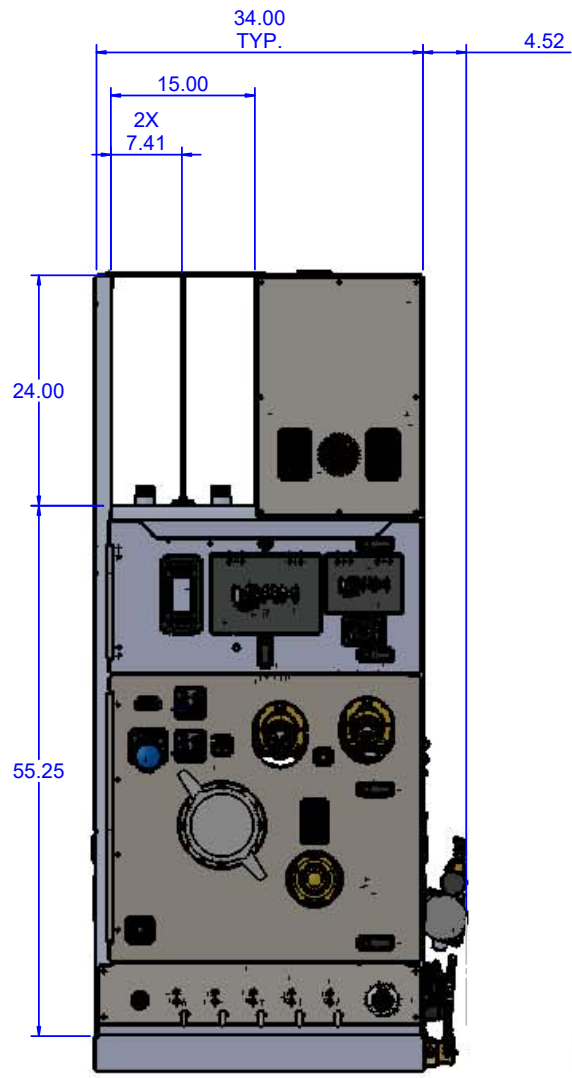
PROJECTION: 

HINGED CROSSLAY COVER

REMOVABLE FRONT WALL



REMOVABLE DUNNAGE FLOOR



UNLESS OTHERWISE SPECIFIED
DIMENSIONS ARE IN INCHES
TOLERANCE FOR INCHES DIMENSIONS:
X: ±0.04
X.X: ±0.02
X.XX: ±0.01
X.XXX: ±0.005
ANGLES: ±0.25°
SURFACE TEXTURE IN µm Ra
REMOVE ALL BURRS AND SHARP
EDGES, 0.01MAX

COPYRIGHT ©
NOT TO BE REPRODUCED OR USED TO
MAKE OTHER DRAWINGS OR MACHINERY

FSG OF
IDEX
IDEX CORPORATION

MATERIAL

MADE FROM

FINISH

PROJECT

HAL **GODIVA** **Class1**

TITLE
DSD SAM SM MODULE

DRAWN: KTN
APPROVED: JLS
DATE: 30DEC2019

SIZE: **D**
SCALE: 1:10

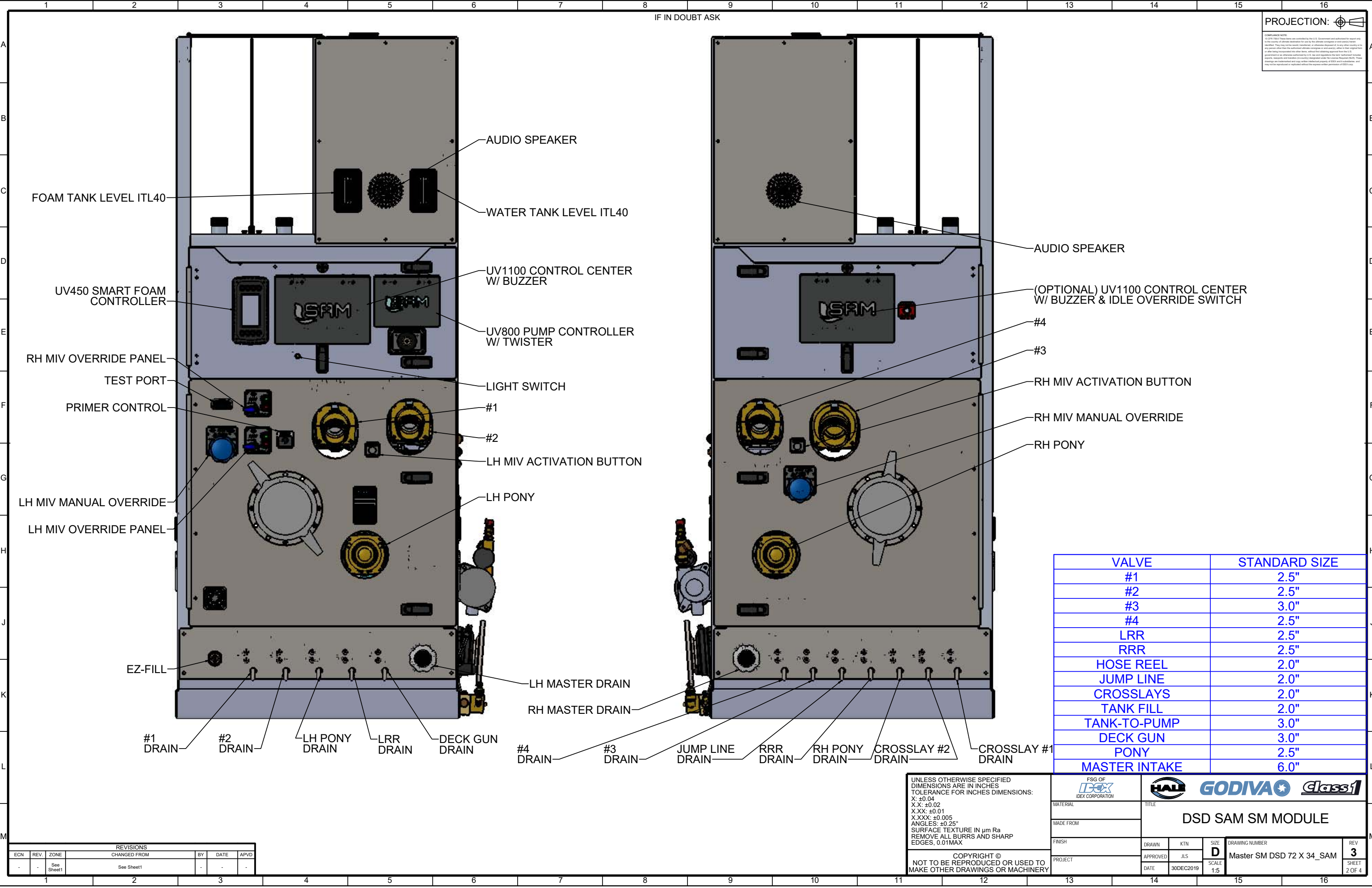
DRAWING NUMBER: Master SM DSD 72 X 34_SAM
REV: **3**
SHEET: 1 OF 4

REVISIONS						
ECN	REV.	ZONE	CHANGED FROM	BY	DATE	APVD
	1		PRELIMINARY	KTN	30DEC2019	JLS
	2		PAGE 3 & 4 UPDATED	KTN	24JAN2020	JLS
	3		UPDATED SAM MODULE & BREAKER BOX POSITIONS, ADDED SCREEN COVERS FOR UV1100 & UV800	KTN	10MAR2020	JLS

IF IN DOUBT ASK

PROJECTION: 





UNCLASSIFIED//FOR OFFICIAL USE ONLY (U//FOUO) This document is controlled by the U.S. Government and authorized for export only to the country of ultimate destination for use by the ultimate consignee or end-user (where identified). This may not be re-exported, transferred, or otherwise disposed of to any other country or to any person other than the authorized ultimate consignee or end-user, either in their original form or after being incorporated into other items, without first obtaining approval from the U.S. Government as otherwise authorized by U.S. law and regulations. This document is the property of IDEX Corporation and shall remain the property of IDEX Corporation. This drawing is unclassified and shall remain the property of IDEX Corporation, and may not be reproduced or replicated without the express written permission of IDEX Corp.



VALVE	STANDARD SIZE
#1	2.5"
#2	2.5"
#3	3.0"
#4	2.5"
LRR	2.5"
RRR	2.5"
HOSE REEL	2.0"
JUMP LINE	2.0"
CROSSLAYS	2.0"
TANK FILL	2.0"
TANK-TO-PUMP	3.0"
DECK GUN	3.0"
PONY	2.5"
MASTER INTAKE	6.0"

UNLESS OTHERWISE SPECIFIED DIMENSIONS ARE IN INCHES TOLERANCE FOR INCHES DIMENSIONS:
 X: ±0.04
 X.X: ±0.02
 X.XX: ±0.01
 X.XXX: ±0.005
 ANGLES: ±0.25°
 SURFACE TEXTURE IN µm Ra
 REMOVE ALL BURRS AND SHARP EDGES, 0.01MAX

COPYRIGHT ©
 NOT TO BE REPRODUCED OR USED TO MAKE OTHER DRAWINGS OR MACHINERY

							
MATERIAL		TITLE DSD SAM SM MODULE					
MADE FROM		DRAWN KTN		SIZE D		DRAWING NUMBER Master SM DSD 72 X 34_SAM	
FINISH		APPROVED JLS		SCALE 1:5		REV 3	
PROJECT		DATE 30DEC2019		SHEET 2 OF 4			

REVISIONS						
ECN	REV.	ZONE	CHANGED FROM	BY	DATE	APVD
-	-	See Sheet1	See Sheet1	-	-	-

