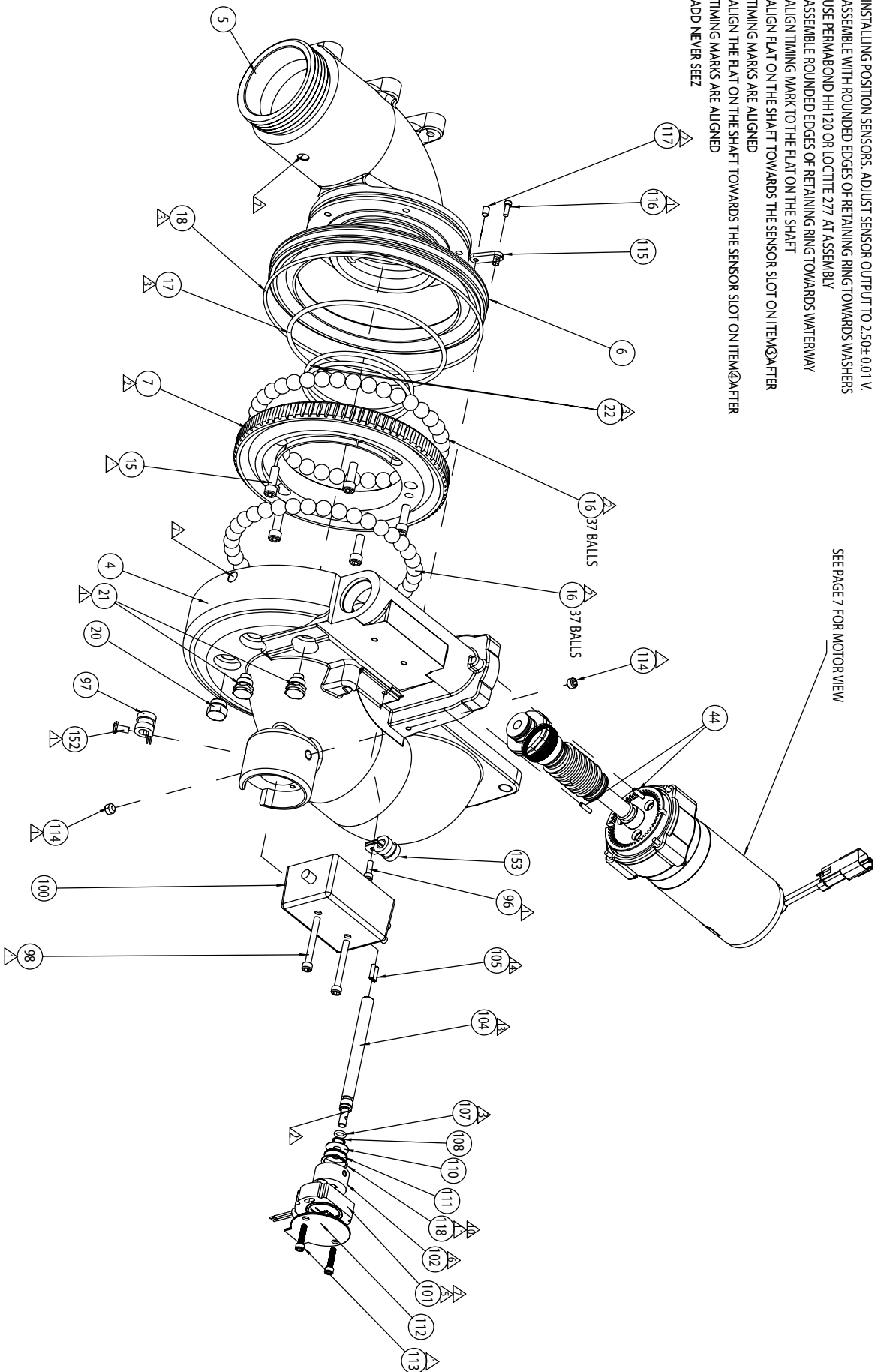
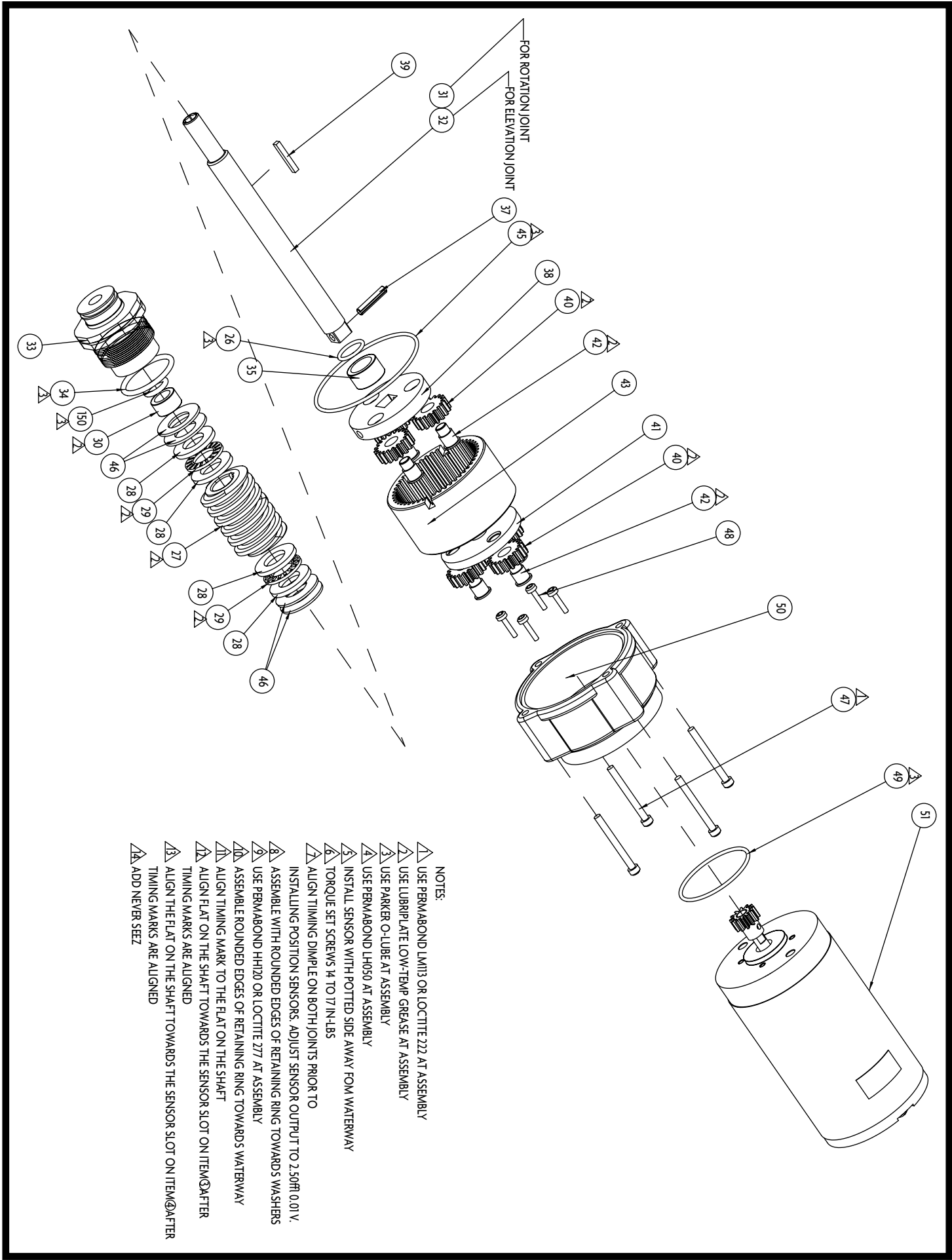


- NOTES:
- ▲ USE PERMABOND LM113 OR LOCTITE 222 AT ASSEMBLY
  - ▲ USE LUBRICATE LOW-TEMP GREASE AT ASSEMBLY
  - ▲ USE PARKER O-LUBE AT ASSEMBLY
  - ▲ USE PERMABOND LH050 AT ASSEMBLY
  - ▲ INSTALL SENSOR WITH POTTED SIDE AWAY FROM WATERWAY
  - ▲ TORQUE SET SCREWS 14 TO 17 IN-LBS
  - ▲ ALIGN TIMING DIMPLE ON BOTH JOINTS PRIOR TO INSTALLING POSITION SENSORS. ADJUST SENSOR OUTPUT TO 2.50 ± 0.01 V.
  - ▲ ASSEMBLE WITH ROUNDED EDGES OF RETAINING RING TOWARDS WASHERS
  - ▲ USE PERMABOND HH120 OR LOCTITE 277 AT ASSEMBLY
  - ▲ ASSEMBLE ROUNDED EDGES OF RETAINING RING TOWARDS WATERWAY
  - ▲ ALIGN TIMING MARK TO THE FLAT ON THE SHAFT
  - ▲ ALIGN FLAT ON THE SHAFT TOWARDS THE SENSOR SLOT ON ITEM 4 AFTER TIMING MARKS ARE ALIGNED
  - ▲ ALIGN THE FLAT ON THE SHAFT TOWARDS THE SENSOR SLOT ON ITEM 4 AFTER TIMING MARKS ARE ALIGNED
  - ▲ ADD NEVER SEEZ





- NOTES:
- ▲ USE PERMABOND LM113 OR LOCTITE 222 AT ASSEMBLY
  - ▲ USE LUBRILPLATE LOW-TEMP GREASE AT ASSEMBLY
  - ▲ USE PARKER O-LUBE AT ASSEMBLY
  - ▲ USE PERMABOND LH050 AT ASSEMBLY
  - ▲ INSTALL SENSOR WITH POTTED SIDE AWAY FROM WATERWAY
  - ▲ TORQUE SET SCREWS 14 TO 17 IN-LBS
  - ▲ ALIGN TIMING DIMPLE ON BOTH JOINTS PRIOR TO INSTALLING POSITION SENSORS. ADJUST SENSOR OUTPUT TO 2.50RH 0.01V.
  - ▲ ASSEMBLE WITH ROUNDED EDGES OF RETAINING RING TOWARDS WASHERS
  - ▲ USE PERMABOND HH120 OR LOCTITE 277 AT ASSEMBLY
  - ▲ ASSEMBLE ROUNDED EDGES OF RETAINING RING TOWARDS WATERWAY
  - ▲ ALIGN TIMING MARK TO THE FLAT ON THE SHAFT
  - ▲ ALIGN FLAT ON THE SHAFT TOWARDS THE SENSOR SLOT ON ITEM 49 AFTER TIMING MARKS ARE ALIGNED
  - ▲ ALIGN THE FLAT ON THE SHAFT TOWARDS THE SENSOR SLOT ON ITEM 49 AFTER TIMING MARKS ARE ALIGNED
  - ▲ ADD NEVER SEEZ



**STYLE 3350  
ENHANCED TUCKAWAY  
WITH SENSORS  
TECHNICAL SERVICE PARTS LIST**

ITEM NO.	DESCRIPTION	PART NUMBER	QUANTITY
1	PIPE INLET	117692	1
2	BASE INLET	122556	1
3	ELBOW INLET	122593	1
4	ELBOW MIDDLE	122375	1
5	ELBOW OUTLET	122378	1
6	RING RETAINER	117690	1
7	GEAR OUTLET	117689	1
8	O-RING	757327	1
9	SCREW	767047	1
10	O-RING	757036	2
11	BALL	704020	82
12	PLUG	742112	4
13	STOP	769596	2
14	O-RING	757326	1
15	SCREW	765030	5
16	BALL	703383	74
17	O-RING	757075	1
18	O-RING	757366	1
20	PLUG	744337	2
21	STOP	769498	1
22	O-RING	757035	2
23	PLUG	744397	3
24	SCREW	765207	4
25	O-RING	757081	1
26	O-RING	757041	2
27	GEAR	718273	2
28	WASHER	784121	8
29	BEARING	703453	4
30	BEARING	704393	2
31	SHAFT	770353	1
32	SHAFT	770352	1
33	CAP	121467	2
34	O-RING	757329	2
35	BEARING	704395	2
37	PIN ROLL	744118	2
38	CARRIER PLATE	707455	2
39	KEY	727044	2
40	GEAR	718165	12
41	PLATE	742119	2
42	RIVET	754052	12
43	GEAR	718164	2
44	PIN	744288	4

ITEM NO.	DESCRIPTION	PART NUMBER	QUANTITY
45	O-RING	757312	2
46	SPRING	769276	8
47	SCREW	767132	8
48	SCREW	765052	8
49	O-RING	757056	2
50	HOUSING GEARBOX	109320	2
51	MOTOR 12VOLT	34911013	2
94	TAG	773330	1
95	NAIL	736052	4
96	SCREW	765155	2
97	CLAMP	707548	2
98	SCREW	767126	4
99	SCREW	765154	3
100	WIRING HARNESS	721630	1
101	SENSOR	33560011	2
102	MAGNET	731127	2
103	SHAFT	770350	1
104	SHAFT	770348	1
105	PIN	744078	2
106	PIN	744430	1
107	O-RING	757476	3
108	RING	758247	2
110	SHIM	769887	2
111	WASHER	784192	2
112	COVER	707688	2
113	SCREW	765274	4
114	SCREW	765071	4
115	KEEPER	120137	1
116	SCREW	765175	1
117	SCREW	765040	1
118	RING	756171	2
150	O-RING	757295	2
152	SCREW	767029	4
153	CLAMP	707975	4



**Tested.. Proven.. Trusted.**

ISO 9001 REGISTERED COMPANY

PHONE: 330.264.5678 or 800.228.1161 | FAX: 330.264.2944 or 800.531.7335 | akronbrass.com

REVISED: 7/12

WARRANTY AND DISCLAIMER: We warrant Akron Brass products for a period of five (5) years after purchase against defects in materials or workmanship. Akron Brass will repair or replace product which fails to satisfy this warranty. Repair or replacement shall be at the discretion of Akron Brass. Products must be promptly returned to Akron Brass for warranty service.

We will not be responsible for: wear and tear; any improper installation, use, maintenance or storage; negligence of the owner or user; repair or modification after delivery; damage; failure to follow our instructions or recommendations; or anything else beyond our control. WE MAKE NO WARRANTIES, EXPRESS OR IMPLIED, OTHER THAN THOSE INCLUDED IN THIS WARRANTY STATEMENT, AND WE DISCLAIM ANY IMPLIED WARRANTY OF MERCHANTABILITY OR FITNESS FOR ANY PARTICULAR PURPOSE. Further, we will not be responsible for any consequential, incidental or indirect damages (including, but not limited to, any loss of profits) from any cause whatsoever. No person has authority to change this warranty.

© Akron Brass Company. 2011 All rights reserved. No portion of this can be reproduced without the express written consent of Akron Brass Company.