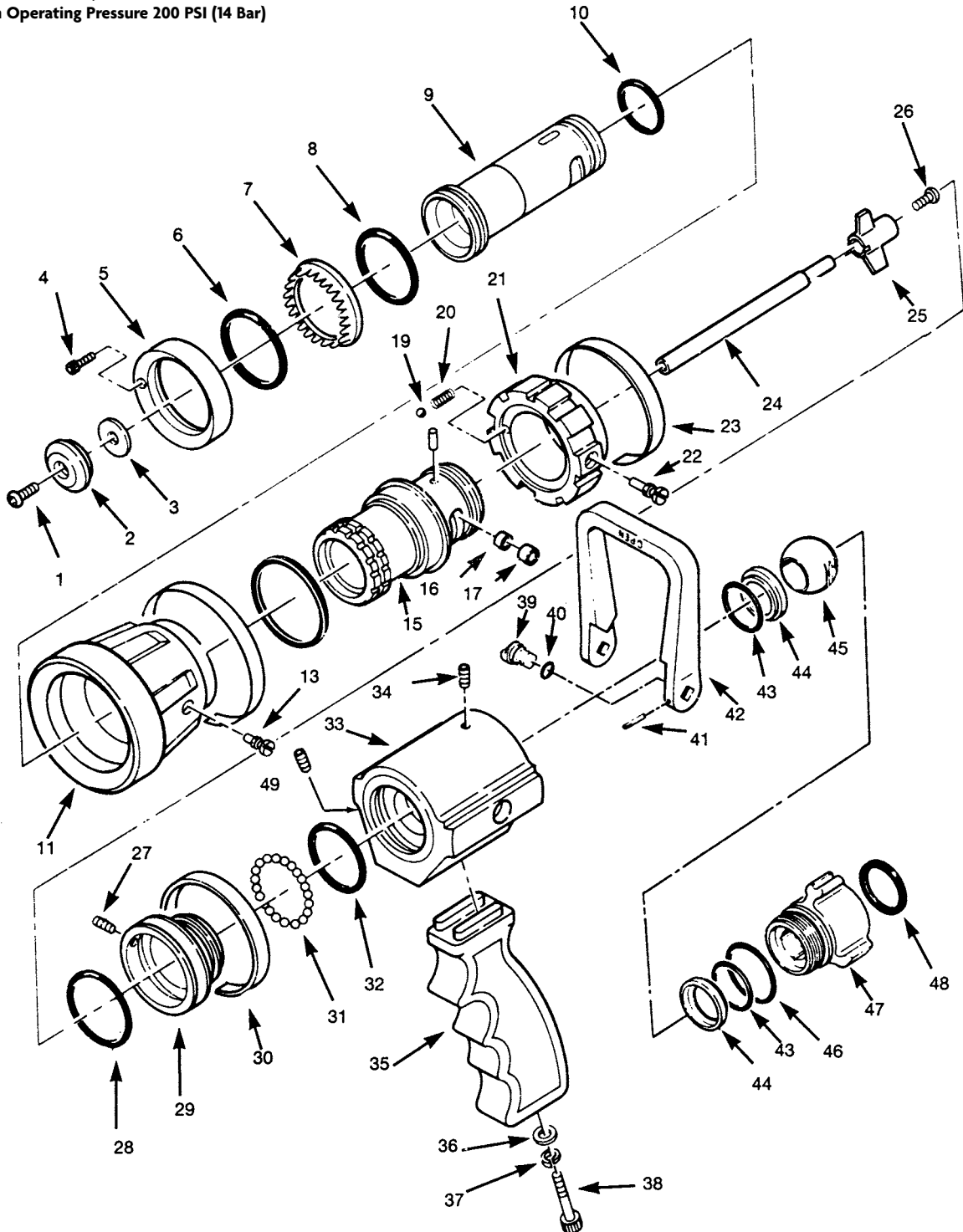


OPERATING INSTRUCTIONS:

- Flow Ratings at 100 PSI (6.7 Bar)
- Open and Close Slowly
- Maximum Operating Pressure 200 PSI (14 Bar)





TYLE 1720
Pyrolite® Turbojet®
With Narrow Fog Indicator
TECHNICAL SERVICE PARTS LIST

ITEM NO.	DESCRIPTION	PART NUMBER	QTY.
1	Socket Head Cap Screw	765153	1
2	Baffle Head	102222	1
3	Spacer	768190	as req.
4	Socket Head Cap Screw	767094	2
5	Turbine Retaining Ring	758183	1
6	O-Ring	757280	1
7*	Turbine Teeth	772136	1
8	O-Ring	757244	1
9	Discharge Tube	102248	1
10	O-Ring	757242	1
11	Bumper Assembly	††	1
12	Indicating Band	704281	1
13	Pattern Stop Screw	769406	1
14	Seal	717042	1
15	Nozzle Body	102221	1
16	Cam Roller - Short	758210	1
17	Cam Roller - Long	758211	1
18	Key Pin	727034	1
19	Detent Ball	704018	1
20	Detent Spring	769111	1
21	Discharge Control Ring	758182	1
22	Cam Axle	707252	1
23	Discharge Control Band - GPM	704282	1
24	Stem	102224	1
25	Spider	769407	1
26	Cap Screw	765030	1
27	Set Screw	765040	1
28	O-Ring	757232	1
29	Adapter	102220	1
30	I.D. Band	704286	1
31	Locking Balls	* *	41
32	O-Ring	757283	1
33	Shutoff Body for Pistol Grip	102245	1
34	Set Screw	765008	1
35	Pistol Grip	718171	1
36	Washer	784093	1
37	Lock Washer	784090	1
38	Socket Head Cap Screw	763064	1
39	Trunnion	107857	2
40*	O-Ring	757282	2
41*	Roll Pin	744080	2
42	Handle	721311	1
43*	O-Ring	757281	2
44*	Seat	769245	2
45*	Ball	704006	1
46*	O-Ring	757375	1
47	Swivel Assembly (1 1/2" NH)†	17150012	1
48*	Swivel Gasket 1 1/2"	717042	1
49	Set Screw	766015	1

* Parts included in Field Service Kit #9108.

* * Packet of 50 Locking Balls - P/N 109042.

† For other threads order by description and thread size (ODM and TPI) or by Akron Thread Code.

†† Should be returned to the factory for repair.



Tested... Proven... Trusted.

ISO 9001 REGISTERED COMPANY

PHONE: 330.264.5678 or 800.228.1161 | FAX: 330.264.2944 or 800.531.7335 | akronbrass.com

REVISED: 6/11

WARRANTY AND DISCLAIMER: We warrant Akron Brass products for a period of five (5) years after purchase against defects in materials or workmanship. Akron Brass will repair or replace product which fails to satisfy this warranty. Repair or replacement shall be at the discretion of Akron Brass. Products must be promptly returned to Akron Brass for warranty service.

We will not be responsible for: wear and tear; any improper installation, use, maintenance or storage; negligence of the owner or user; repair or modification after delivery; damage; failure to follow our instructions or recommendations; or anything else beyond our control. WE MAKE NO WARRANTIES, EXPRESS OR IMPLIED, OTHER THAN THOSE INCLUDED IN THIS WARRANTY STATEMENT, AND WE DISCLAIM ANY IMPLIED WARRANTY OF MERCHANTABILITY OR FITNESS FOR ANY PARTICULAR PURPOSE. Further, we will not be responsible for any consequential, incidental or indirect damages (including, but not limited to, any loss of profits) from any cause whatsoever. No person has authority to change this warranty.

© Akron Brass Company, 2011 All rights reserved. No portion of this can be reproduced without the express written consent of Akron Brass Company.