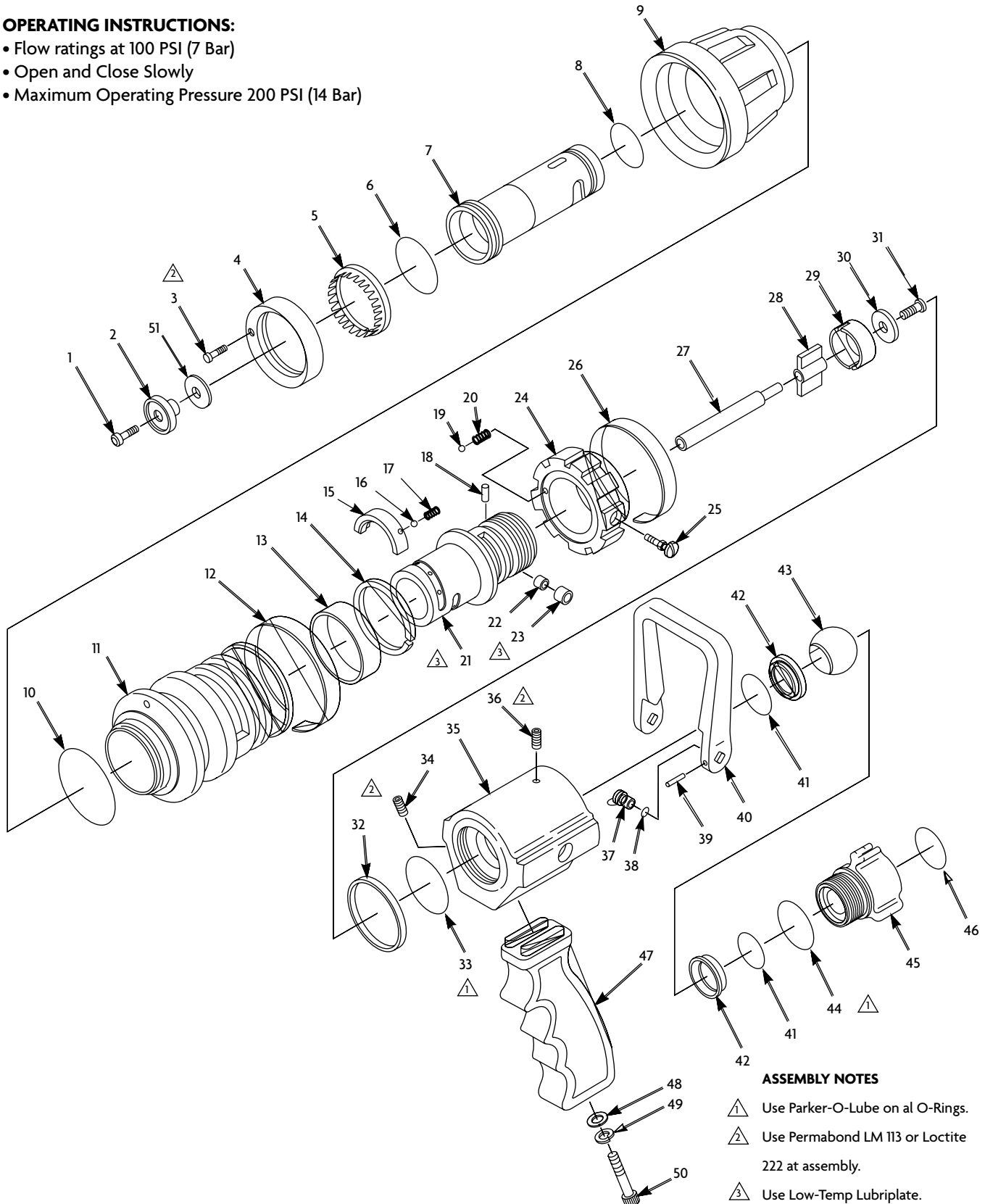


**OPERATING INSTRUCTIONS:**

- Flow ratings at 100 PSI (7 Bar)
- Open and Close Slowly
- Maximum Operating Pressure 200 PSI (14 Bar)



ITEM NO	DESCRIPTION	PART NUMBER	QUANTITY	
			1715	1720
1	Socket Head Cap Screw	765153	1	1
2	Baffle Head	102222	1	1
3	Socket Head Cap Screw	767094	2	2
4	Turbine Retaining Ring	758183	1	1
5*	Turbine	772136	1	1
6	O-Ring	757244	1	1
7	Discharge Tube (100 psi)	116908	1	1
7	Discharge Tube (75 psi)	118917	1	1
8	O-Ring	757242	1	1
9	Bumper	**	1	1
10	O-Ring	757280	1	1
11	Pattern Sleeve	**	1	1
12	Indicating Band	704826	1	--
12	Indicating Band	704827	--	1
13	Ring Zytel	**	1	1
14	Lock Ring	**	1	1
15	Insert Cam	**	1	1
16	Detent Ball	**	2	2
17	Spring Detent	**	2	2
18	Key Pin	727034	1	1
19	Detent Ball	704018	1	1
20	Detent Spring	769111	1	1
21	Nozzle Body	**	1	1
22	Cam Roller - Short	758210	1	1
23	Cam Roller - Long	758211	1	1
24	Gallorage Control Ring	758182	1	1
25	Cam Axle	707252	1	1
26	Discharge Control Band gpm (100 psi)	704822	1	1
26	Discharge Control Band lpm (7 bar)	704823	1	1
26	Discharge Control Band gpm (75 psi)	704835	1	1
27	Stem (100 psi)	116909	1	1
27	Stem (75 psi)	118918	1	1
28	Spider	768296	1	1
29	Spider Retainer	116903	1	1
30	Washer	784094	1	1
31	Screw	765149	1	1
32	Spacer	769604	1	1
33	O-Ring	757232	1	1
34	Set Screw (For models manufactured Before April 2002)	765040	1	1
34	Set Screw (For models manufactured After April 2002)	765002	1	1
35	Shutoff Body	116906	1	--
35	Shutoff Body Pistol Grip	116905	--	1
36	Set Screw	765008	1	1
37	Trunnion	107857	2	2

ITEM NO.	DESCRIPTION	PART NUMBER	QUANTITY	
			1715	1720
38*	O-Ring	757282	2	2
39*	Roll Pin	744080	2	2
40	Handle	721417	1	1
41*	O-Ring	757281	2	2
42*	Seat	769245	2	2
43*	Ball	704006	1	1
44*	O-Ring	757375	1	1
45	Swivel Assembly (1 1/2" NH)†	17150012	1	1
45	Swivel Assembly (1 1/2" NPSH)†	17150013	1	1
46*	Gasket	717042	1	1
47	Pistol Grip	718233	1	1
48	Washer	784093	1	1
49	Lock Washer	784090	1	1
50	Socket Head Cap Screw	763064	1	1
51	Shims	Retain factory installed shims.	--	--

\*Parts included in Field Service Kit #9108.

†For other threads order by description and thread size (ODM and TPI) or by Akron Thread Code.

\*\*These parts are not normally required to repair. If repair is necessary, the nozzle must be returned to the factory as special tools are required.



PHONE: 330.264.5678 or 800.228.1161 | FAX: 330.264.2944 or 800.531.7335 | akronbrass.com

REVISED: 8/11

WARRANTY AND DISCLAIMER: We warrant Akron Brass products for a period of five (5) years after purchase against defects in materials or workmanship. Akron Brass will repair or replace product which fails to satisfy this warranty. Repair or replacement shall be at the discretion of Akron Brass. Products must be promptly returned to Akron Brass for warranty service.

We will not be responsible for: wear and tear; any improper installation, use, maintenance or storage; negligence of the owner or user; repair or modification after delivery; damage; failure to follow our instructions or recommendations; or anything else beyond our control. WE MAKE NO WARRANTIES, EXPRESS OR IMPLIED, OTHER THAN THOSE INCLUDED IN THIS WARRANTY STATEMENT, AND WE DISCLAIM ANY IMPLIED WARRANTY OF MERCHANTABILITY OR FITNESS FOR ANY PARTICULAR PURPOSE. Further, we will not be responsible for any consequential, incidental or indirect damages (including, but not limited to, any loss of profits) from any cause whatsoever. No person has authority to change this warranty.

© Akron Brass Company. 2011 All rights reserved. No portion of this can be reproduced without the express written consent of Akron Brass Company.