



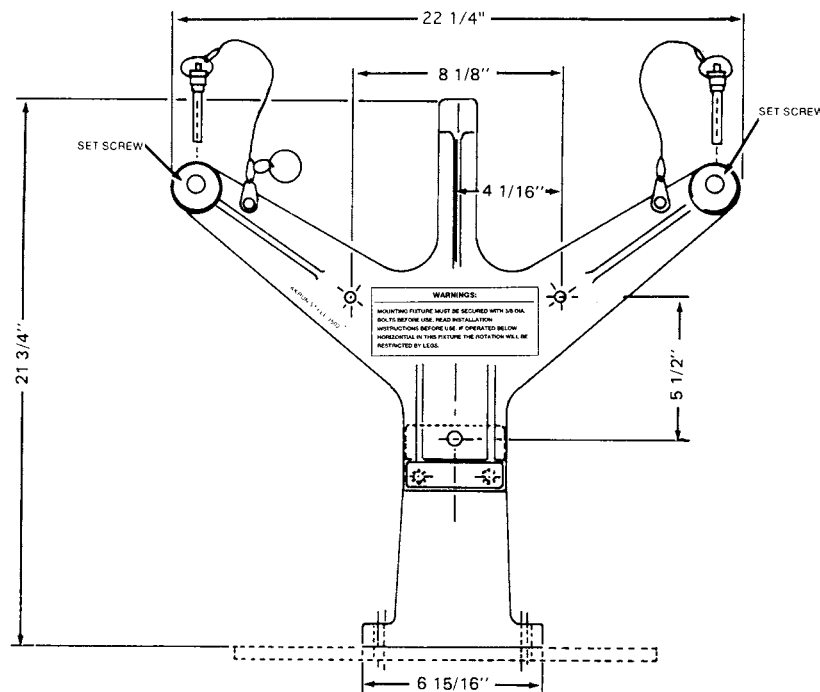
INSTALLATION AND OPERATION INSTRUCTIONS STYLE 3502 AND 3503

WARNINGS:

- Mounting fixture must be secured with $\frac{3}{8}$ inch diameter bolts before use.
- Read operating instructions before use.
- If operated below horizontal in this fixture the rotation will be restricted by the legs.
- Both lock pins must be fully installed before and during use.

STYLE 3502

This mounting fixture is designed to be mounted to a horizontal surface such as a running board or back step, for the purpose of storing the Style 3420/2422 GROUND BASE ONLY. DO NOT MOUNT THE ENTIRE APOLLO VERTICALLY.



INSTALLATION INSTRUCTIONS

1. Position the Style 2502, with the ground base mounted, in its' desired location, to be sure it will fit without interference.
2. Once positioned use the "L" bracket as a template to mark the four mounting holes on the horizontal surface.
3. Remove the mounting fixture and drill four $\frac{3}{8}$ " holes where marked.
4. Position the Style 3502 over the drilled holes and install four $\frac{3}{8}$ " diameter bolts with lock washers and nuts.
Tighten the four bolts securely.

OPERATING INSTRUCTIONS

1. Hold the ground base with the swivel inlets down and slide the two eye holes in the ground base over the mounting posts of the mounting fixture.
2. While holding the ground base onto the mounting fixture, install the two locking pins through the holes in the mounting post, from the top.

NOTE: The button on the locking pins must be depressed before installing or removing.

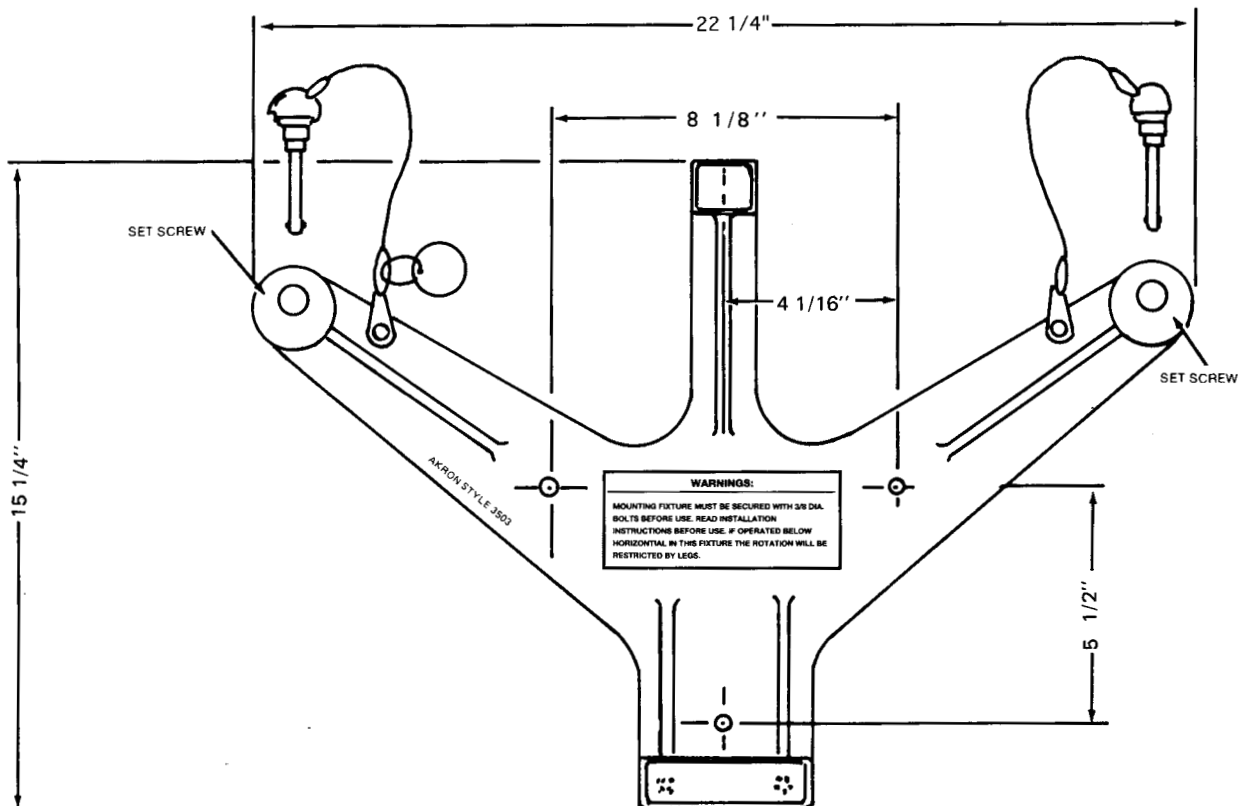
3. Check the ground base to be sure it is attached securely.

4. The safety chain on the ground base may be secured for travel by using the following procedure:

- a. Slide the hook as far up the chain to where the chain attaches to the ground base.
- b. Position the head of the hook between the ground base and mounting fixture.
- c. Place the ring at the end of the chain between one set of ears on the ground base and push the locking pin into place.
The other locking pin should also be pushed into place to keep it secure.
- d. Now feed the chain down into the ground base through the waterway opening.

STYLE 3503

This mounting fixture is designed to be mounting to either a horizontal or vertical surface. On a vertical surface it is for the GROUND BASE ONLY. DO NOT MOUNT THE ENTIRE APOLLO VERTICALLY. On a horizontal surface you can use it for mounting the ground base or the entire Apollo.



INSTALLATION INSTRUCTIONS

1. Hold the ground base with the swivel inlets down and slide the two eye holes in the ground base over the adjustable mounting post on the mounting fixture.

NOTES: Retational adjustment on the mounting post will be required to fit the eye holes in the ground base after the alignment is completed. Secure the mounting post to the mounting fixture with the two set screws.

2. Once positioned, use the fixture as a template to mark the three mounting holes on the surface.

3. Remove the mounting fixture and drill three $\frac{3}{4}$ " holes where marked.

4. Position the Style 3503 over the drilled holes and install three $\frac{3}{4}$ " diameter bolts with lock washers and nuts. Tighten the three bolts securely.

OPERATING INSTRUCTIONS (STORAGE mode only, horizontal or vertical mount)

1. Hold the ground base with the swivel inlets down and slide the two eye holes in the ground base over the mounting posts of the mounting fixture.

2. While holding the ground base onto the mounting fixture, install the two locking pins through the holes in the mounting posts, from the top.

NOTE: The button on the locking pins must be depressed before installing or removing.

3. Check the ground base to be sure it is attached securely.

4. The safety chain on the ground base may be secured for travel by using the following procedure:

a. Slide the hook all the way up the chain to where the chain attaches to the ground base.

b. Position the head of the hook between the ground base and mounting fixture.

c. Place the ring at the end of the chain between one set of ears on the ground base and push the locking pin into place. The other locking pin should also be pushed into place to keep it secure.

d. Now feed the chain down into the ground base through the waterway opening

OPERATING INSTRUCTIONS (Flowing mode only, horizontal mount)

1. Follow Steps 1 through 3 above

2. Place the upper portion of the Apollo onto the base so that the holes in the ears are aligned. Then take one connecting pin at a time and insert it through the holes in the ears. **MAKE SURE BOTH PINS ARE FULLY ENGAGED BEFORE OPERATING.**

3. The Apollo is now ready to have hoses connected to the two swivel inlets for flowing.

NOTE: If flowing, the mounting surface must be capable of withstanding 1,000 lbs. of force.

Contact your truck manufacturer for instructions.



PHONE: 330.264.5678 or 800.228.1161 | FAX: 330.264.2944 or 800.531.7335 | akronbrass.com

REVISED: 6/11

WARRANTY AND DISCLAIMER: We warrant Akron Brass products for a period of five (5) years after purchase against defects in materials or workmanship. Akron Brass will repair or replace product which fails to satisfy this warranty. Repair or replacement shall be at the discretion of Akron Brass. Products must be promptly returned to Akron Brass for warranty service.

We will not be responsible for: wear and tear; any improper installation, use, maintenance or storage; negligence of the owner or user; repair or modification after delivery; damage; failure to follow our instructions or recommendations; or anything else beyond our control. WE MAKE NO WARRANTIES, EXPRESS OR IMPLIED, OTHER THAN THOSE INCLUDED IN THIS WARRANTY STATEMENT, AND WE DISCLAIM ANY IMPLIED WARRANTY OF MERCHANTABILITY OR FITNESS FOR ANY PARTICULAR PURPOSE. Further, we will not be responsible for any consequential, incidental or indirect damages (including, but not limited to, any loss of profits) from any cause whatsoever. No person has authority to change this warranty.

© Akron Brass Company, 2011 All rights reserved. No portion of this can be reproduced without the express written consent of Akron Brass Company.