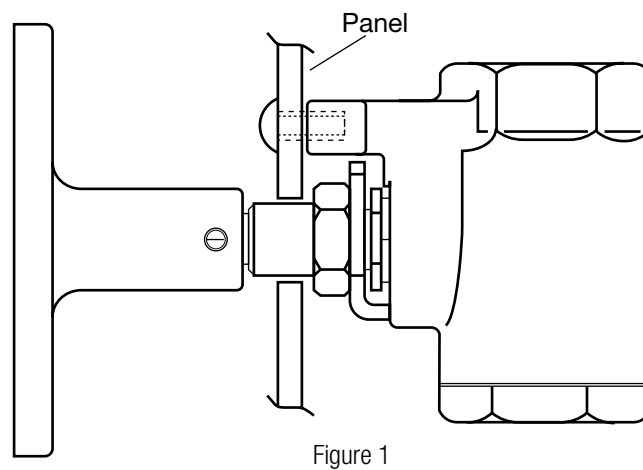




INSTALLATION INSTRUCTIONS

STYLE 57 DRAIN VALVE

The Akron Style 57 quarter-turn drain valve is designed to be mounted behind the apparatus control panel using two 1/4–20 screws (Figure 1).



INSTALLATION

1. Select the location where the valve is to be mounted on the panel.
2. At the location selected, drill two 5/16" diameter mounting holes and one 13/16" diameter trunnion hole at the centerline dimensions shown in Figure 2.

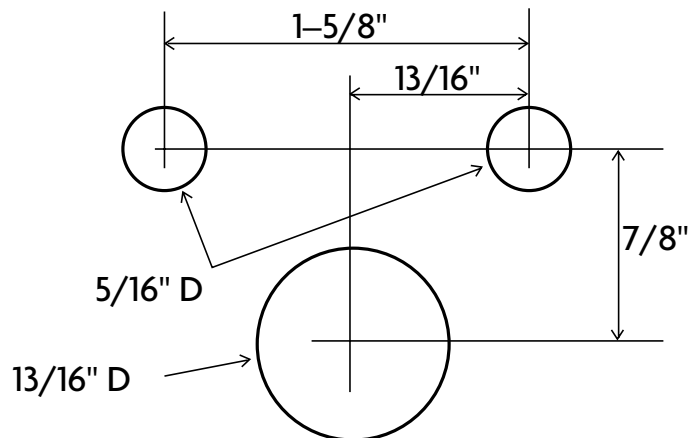


Figure 2

3. Place the valve behind the panel with the trunnion extending through the trunnion hole. Attach the valve to the panel using the two 1/4–20 screws provided (Item 1, Figure 3).

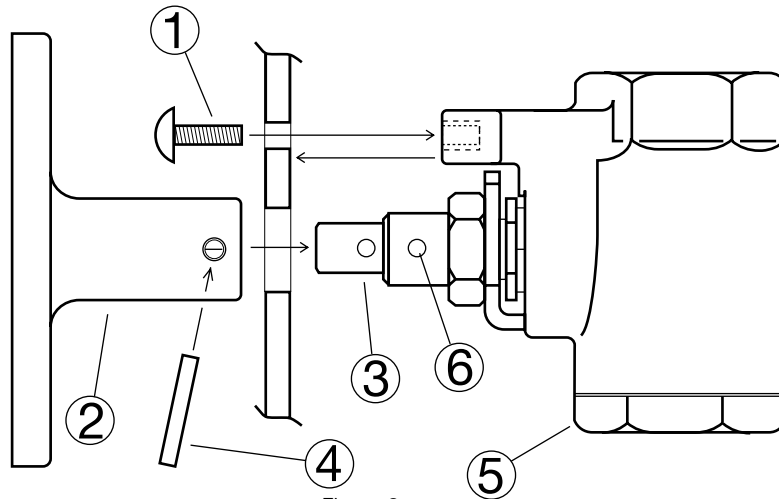


Figure 3

4. Slide the T-handle (Item 2, Figure 3) over the valve trunnion (Item 3, Figure 3) so that the hole in the T-handle lines up with the hole in the trunnion. Insert the roll pin (Item 4, Figure 3) in the holes and drive flush with the handle side.

CAUTION: To avoid bending the trunnion when installing the roll pin, support the handle on the opposite side from where the driving force will be applied to insert the roll pin.

NOTE - Repair kit available with stem, ball and seal kit. Part no. 00570004.

PARTS LIST			
Item No.	Description	Part No.	Quantity
1	1/4-20 Mounting Screws	763069	2
2	T-handle with Small Recess (2.562" x 0.781")	109195	1
2	T-handle with Large Recess (2.968" x 1.000")	109196	1
3	Trunnion Ext.	773263	1
4	Roll Pin	744221	1
5	Valve	779077	1
6	Roll Pin	744049	1



ISO 9001 REGISTERED COMPANY

PHONE: 330.264.5678 or 800.228.1161 | FAX: 330.264.2944 or 800.531.7335 | akronbrass.com

REVISED: 01/14

WARRANTY AND DISCLAIMER: We warrant Akron Brass products for a period of five (5) years after purchase against defects in materials or workmanship. Akron Brass will repair or replace product which fails to satisfy this warranty. Repair or replacement shall be at the discretion of Akron Brass. Products must be promptly returned to Akron Brass for warranty service.

We will not be responsible for: wear and tear; any improper installation, use, maintenance or storage; negligence of the owner or user; repair or modification after delivery; damage; failure to follow our instructions or recommendations; or anything else beyond our control. WE MAKE NO WARRANTIES, EXPRESS OR IMPLIED, OTHER THAN THOSE INCLUDED IN THIS WARRANTY STATEMENT, AND WE DISCLAIM ANY IMPLIED WARRANTY OF MERCHANTABILITY OR FITNESS FOR ANY PARTICULAR PURPOSE. Further, we will not be responsible for any consequential, incidental or indirect damages (including, but not limited to, any loss of profits) from any cause whatsoever. No person has authority to change this warranty.

© Akron Brass Company, 2000 All rights reserved. No portion of this can be reproduced without the express written consent of Akron Brass Company.