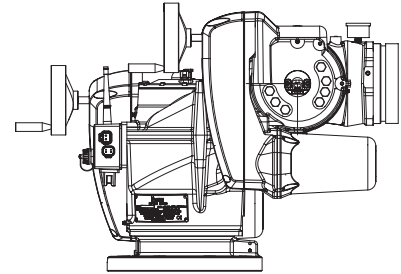


# AeroMaster12 Monitor Order Form



## Step #1: Base Monitor Configuration

Inlet	<input checked="" type="checkbox"/>	The standard is a 6" & DIN 150 Flange (it is both with no other options)
Outlet	<input checked="" type="checkbox"/>	The standard is 4.5" NH (no other options)
Voltage	<input checked="" type="checkbox"/>	The standard will work with both 12 volt and 24 volt.



## Step #2: Select Nozzle

Select One

3700		Akromatic 6000-12000 lpm (1585 - 3200 gpm) 10 Bar inlet to the monitor. 12 Volt      24 Volt	
3701		Selectable 9k-10k-11k-12k lpm (2.4k-2.65k-2.9k-3.2k gpm) 10 Bar inlet to the monitor. 12 Volt      24 Volt	

## Step #3: Select Nozzle Options

Select Any

Blades		Flat Dispersed Blades for flat dispersed pattern (attach to nozzle)	
730		Foam Tube (attaches to nozzle)	

## Step #4: Select Control Options

Select Any

60350009		Standard CAN Proportional Joystick	
60350012		ARFF CAN Joystick Stow/Deploy, Oscillation, High/Low Flow, and Dry Chemical	
60412002		CAN Tether with Mini Joystick Stow/Deploy, Osc, Fog/Stream, & Valve" with Panel Connector	
60470002		Handheld Wireless Controller Left/Right, Up/Down, Fog/Stream, Stow/Deploy, Oscillate & Valve	
60470010		Wireless Controller Battery Charger	

Select Any

36000004		Switch Interface Transmitter Allow switch signals to be transmitted wirelessly	
60410008		CAN 4 Toggle Stow/Deploy, Up/Down, Right/Left, & Fog/Stream	
60410023		CAN 3 Toggle Up/Down, Right/Left, & Fog/Stream	
60411000		CAN 3 Toggle Stow/Deploy, Fog/Stream, Oscillate, & Mini Joystick (Right/Left, Up/Down)	
60411003		CAN 2 Toggle Stow/Deploy, Fog/Stream, & Mini Joystick (Right/Left, Up/Down)	
60410029		CAN 4 Toggle Water On/Off, Up/Down, Right/Left, & Fog/Stream	
60410034		CAN 4 Toggle Oscillation, Up/Down, Right/Left & Fog/Stream	

## Step #5: Select Special Options

Select Any

60360002		Position indicator; Portrait	
60360003		Position indicator; Landscape	
60410035		OEM Interface Module Enable use of own switch inputs	
60390010		I/O Module Stow/Deploy input Stow output/Discharge output	

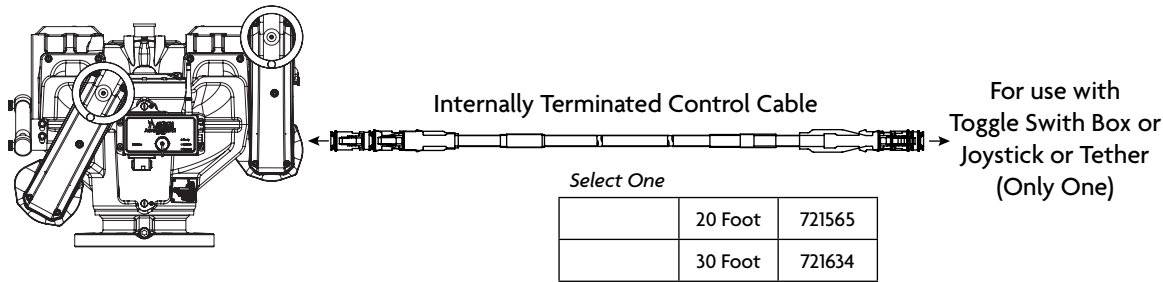
\* Not recommended for use in conjunction with other controllers

# AeroMaster12 Order Form

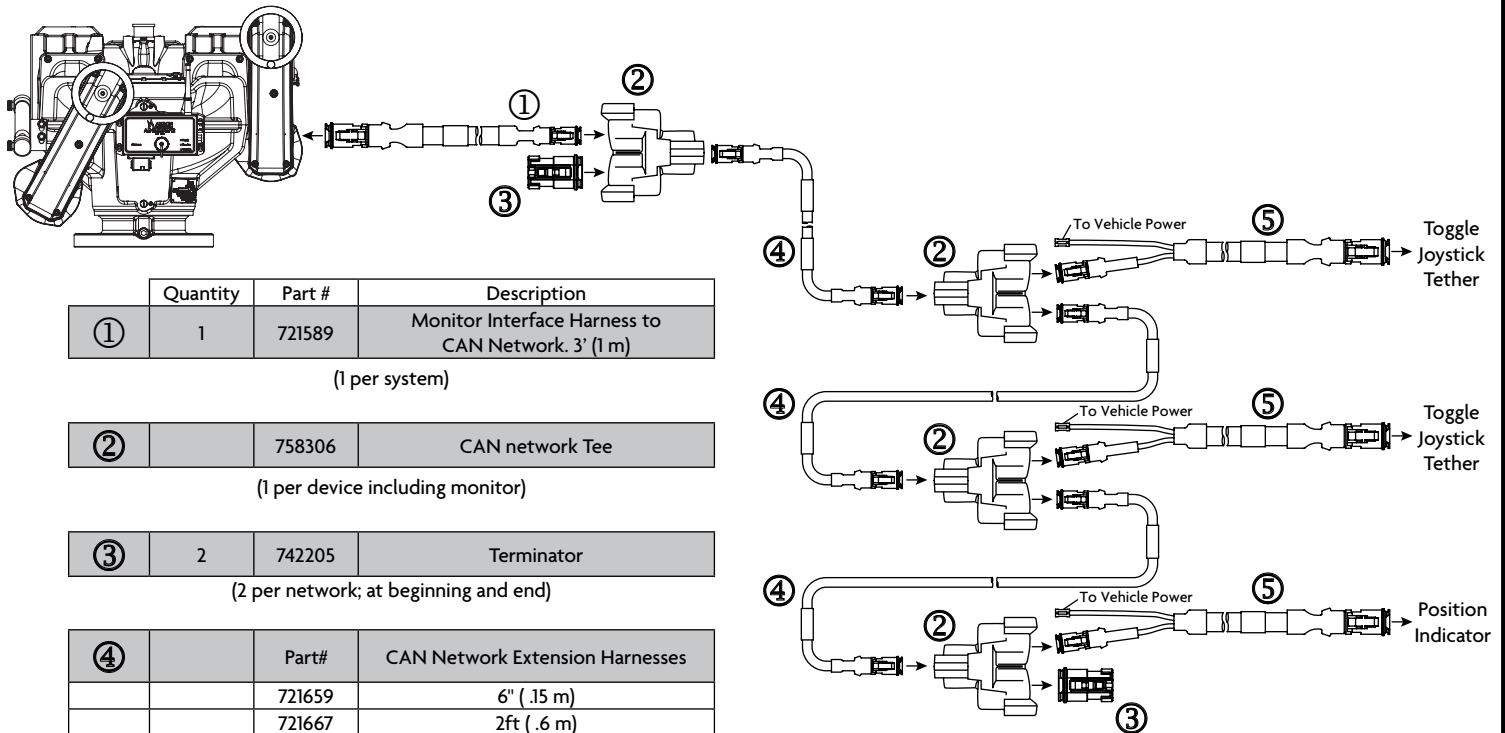


Akron Brass offers pre-engineered cable assemblies to quicken the installation process. These are optional items. Refer to the example system diagram below to identify which cable assemblies you require, then indicate the quantity next to the corresponding part number in the list below.

**Option #1:** Only available if you are using 1 controller other than a handheld wireless.



**Option #2:** When using more than 1 controller other than a handheld wireless.



	Quantity	Part #	Description
①	1	721589	Monitor Interface Harness to CAN Network. 3' (1 m)

(1 per system)

②		758306	CAN network Tee
---	--	--------	-----------------

(1 per device including monitor)

③	2	742205	Terminator
---	---	--------	------------

(2 per network; at beginning and end)

④		Part#	CAN Network Extension Harnesses
		721659	6" (.15 m)
		721667	2ft (.6 m)
		721572	3ft (1 m)
		721573	5ft (1.5 m)
		721574	10ft (3 m)
		721570	20ft (6 m)
		721665	30ft (9 m)
		721575	40ft (12 m)

⑤		721579	CAN Device Stub Harness with power and ground leads 3ft (1 m)
---	--	--------	---

(1 per controller)

Send PO & completed order guide to [akroncare@idexcorp.com](mailto:akroncare@idexcorp.com) or call 800.228.1161