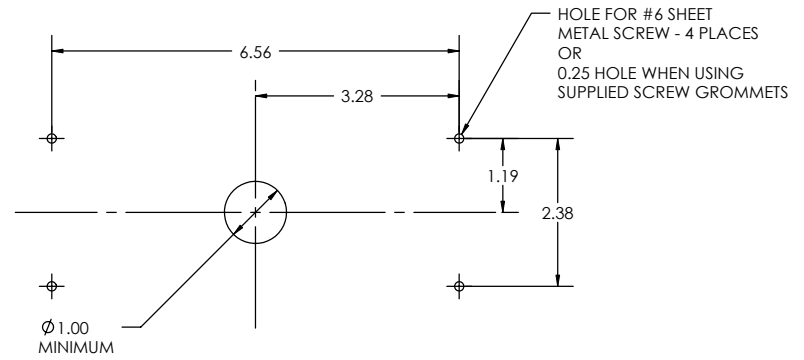
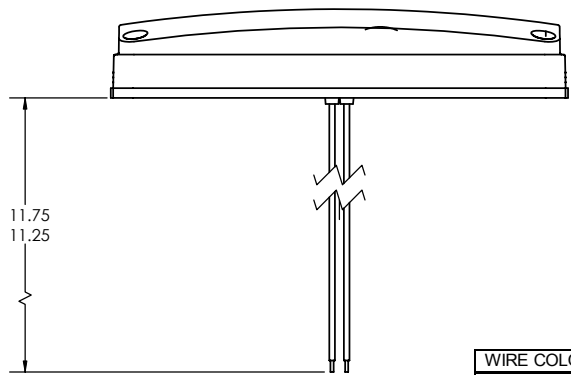
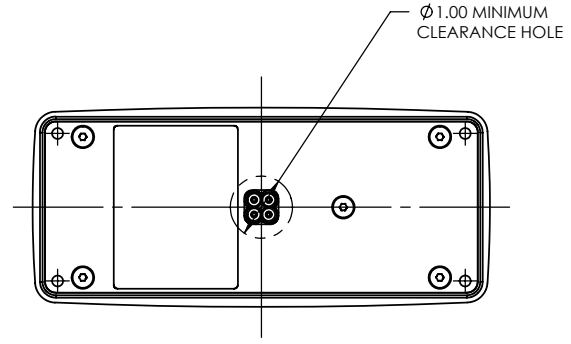
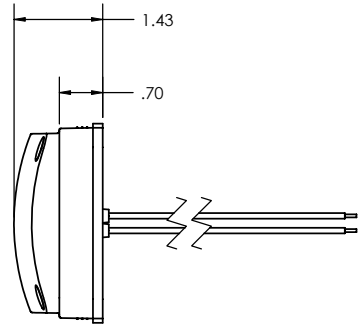
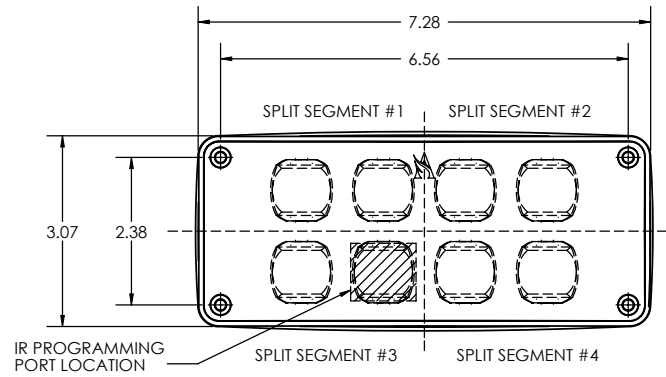


THIS DRAWING AND ALL INFORMATION CONTAINED HEREIN IS THE PROPERTY OF WELDON TECHNOLOGIES, INC. AND MAY NOT BE COPIED, REPRODUCED, OR DIVULGED TO UNAUTHORIZED PERSONS WITHOUT THE EXPRESS WRITTEN CONSENT OF WELDON TECHNOLOGIES, INC. AS IT IS BEING PROVIDED SOLELY FOR THE CONVENIENCE OF THE USER AND SHALL BE RETURNED TO WELDON TECHNOLOGIES, INC. UPON REQUEST.

REVISIONS				
REV.	ECN	DESCRIPTION	DATE	BY / APVD
A	R0772	RELEASE FOR PRODUCTION	--	TB



WIRE COLOR	FUNCTION	POLARITY
RED	POWER	(+)
WHITE	GROUND	(-)
BLUE	SYNC	NONE
GREEN	SECONDARY	(+) OR (-)

NOTE: SECONDARY WIRE POLARITY IS DEPENDENT ON OPTION SELECTED IN LAMP PROGRAM

FOR LAMP CONFIGURATION DETAIL, REFERENCE DOCUMENT #0Z80-2461-00.

UNLESS OTHERWISE SPECIFIED DIMENSIONS ARE IN INCHES TOLERANCES ARE: X.XXX - ±0.005 X.XX - ±0.020 X.X - ±0.050 ANGLES - ±0.5°		CAD GENERATED DRAWING. DO NOT MANUALLY UPDATE		WELDON TECHNOLOGIES, INC.	
MATERIAL	FINISH	APPROVALS	DATE	DIAMONDBACK 3" X 7" CUSTOMER DRAWING	
		DRAWN: BARNETT	11/9/07	SIZE: B	PART NO.: CV37
		CHECKED:		SCALE: 1:2	WELDON COMPUTER GRAPHICS SHEET 1 OF 1
DO NOT SCALE DRAWING	PROJ. NO. 00164			REV. A	