

Mercury Quick Attack LE Standard Portable Monitor Order Form



3444 Standard Monitor Configuration: (NFPA 1964 & EN-15767-1)

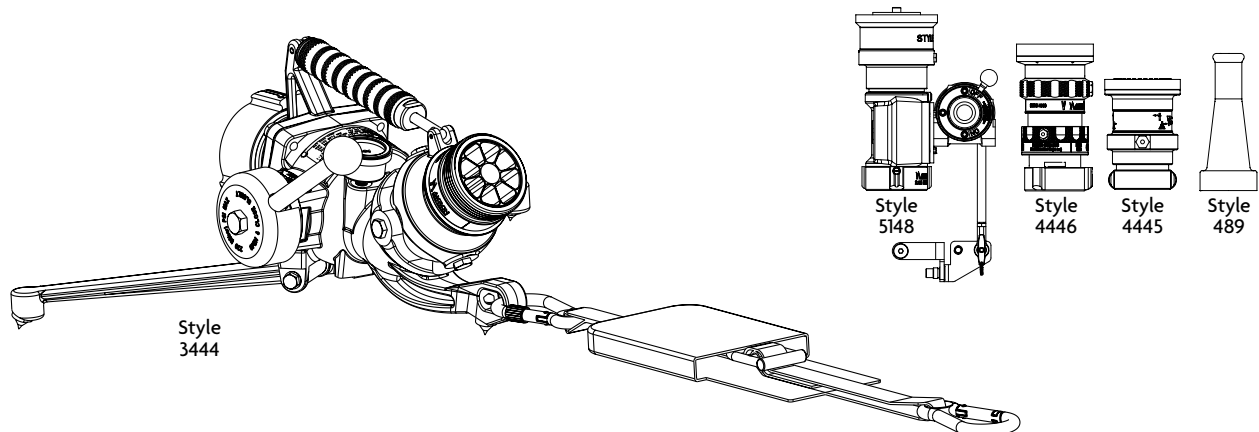
Standard: Inlet/Outlet: 2.5" NH
Mercury FlowGuard
Alternate Swivel Inlet Thread _____
Alternate Inlet
2.5" (65 mm) BSP
2.5" (65 mm) BIM

Select Nozzle(s):

4446 Adjustable/Selectable 250-375-500 gpm @ 100 psi (950-1400-1900 lpm @ 7 bar) NPFA 1964	
4446 Adjustable/Selectable 250-375-500 gpm @ 80 psi (950-1400-1900 lpm @ 5.5 bar) NPFA 1964	
4446 Adjustable/Selectable 250-375-500 gpm @ 6 bar (950-1400-1900 lpm @ 6 bar) EN-15767-2	
4445 Fixed 500 gpm @ 100 psi (1900 lpm @ 7 bar)	
5148 Oscillating 500 gpm @ 100 psi (1900 lpm @ 7 bar)	
489 Deluge Tip 1-3/8"	

Select Bracket:

34440002 Mounting Bracket



NOTE: For special configuration requirements, please contact Akron Brass Customer Service.
Send PO & completed order guide to akroncare@idexcorp.com or call 800.228.1161