

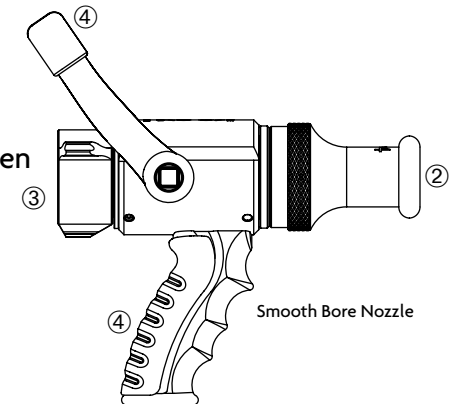
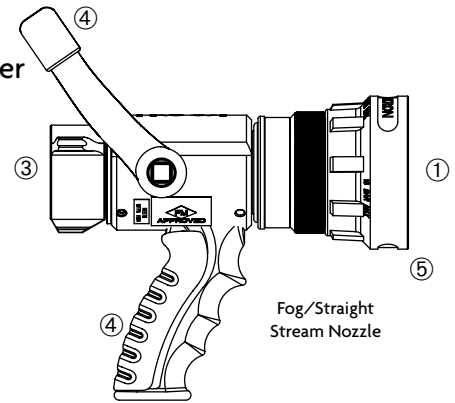
Akron Brass Handline Nozzle Order Checklist



There are many options for handline nozzles from Akron Brass. When ordering nozzles, this checklist is designed to help you and your customer choose exactly what they need. Please reference akronbrass.com or the Akron Brass catalog for complete set of options*.

Standard Options (Must be specified on your PO*)

- Akron Brass Brand Name, Style Number and/or 8-digit Part Number
- Quantity
- Flow Rate for Fog Tips or Nozzle (GPM or LPM) ①
- Pressure for Fog Tips or Nozzle (psi, bar, kPa) ①
- Discharge (orifice) Tip Size if Smooth Bore Nozzle or Tip ②
- Inlet ③
 - o Size
 - o Type (NH, BSP, BIM, JIM, Storz)
 - o Thread Code (North America)
- Black Pistol Grip and Bail Handle ④
 - o Color Kit: Red, Orange, Yellow, Blue, Green, White
- Bumper ⑤
 - o Colors:
 - Black (Standard), Red, Orange, Yellow, Blue, Green



Special Options and Considerations

- Custom Etching
- Certifications including NFPA, EN, CCCF, FM, MED, SOLAS, U.S. Coast Guard, U.S. Navy
 - If ordering In-line or bypass eductors with nozzles, eductor flow must match the flow of the nozzles
- Make sure the metals match between shutoffs and tips – example: Pyrolite Shutoff with Pyrolite Tips, Chrome Shutoff with Chrome Tips

Nozzle Accessories*

- Stream shaper
- Quick-Attack or Mid-X Medium Expansion Foam Tubes
- Zero Torque (ZT)

*Options listed may not be available with all nozzles. Reference akronbrass.com or the Akron Brass catalog for a complete set of options.

Send PO & completed order guide to akroncare@idexcorp.com or call 800.228.1161