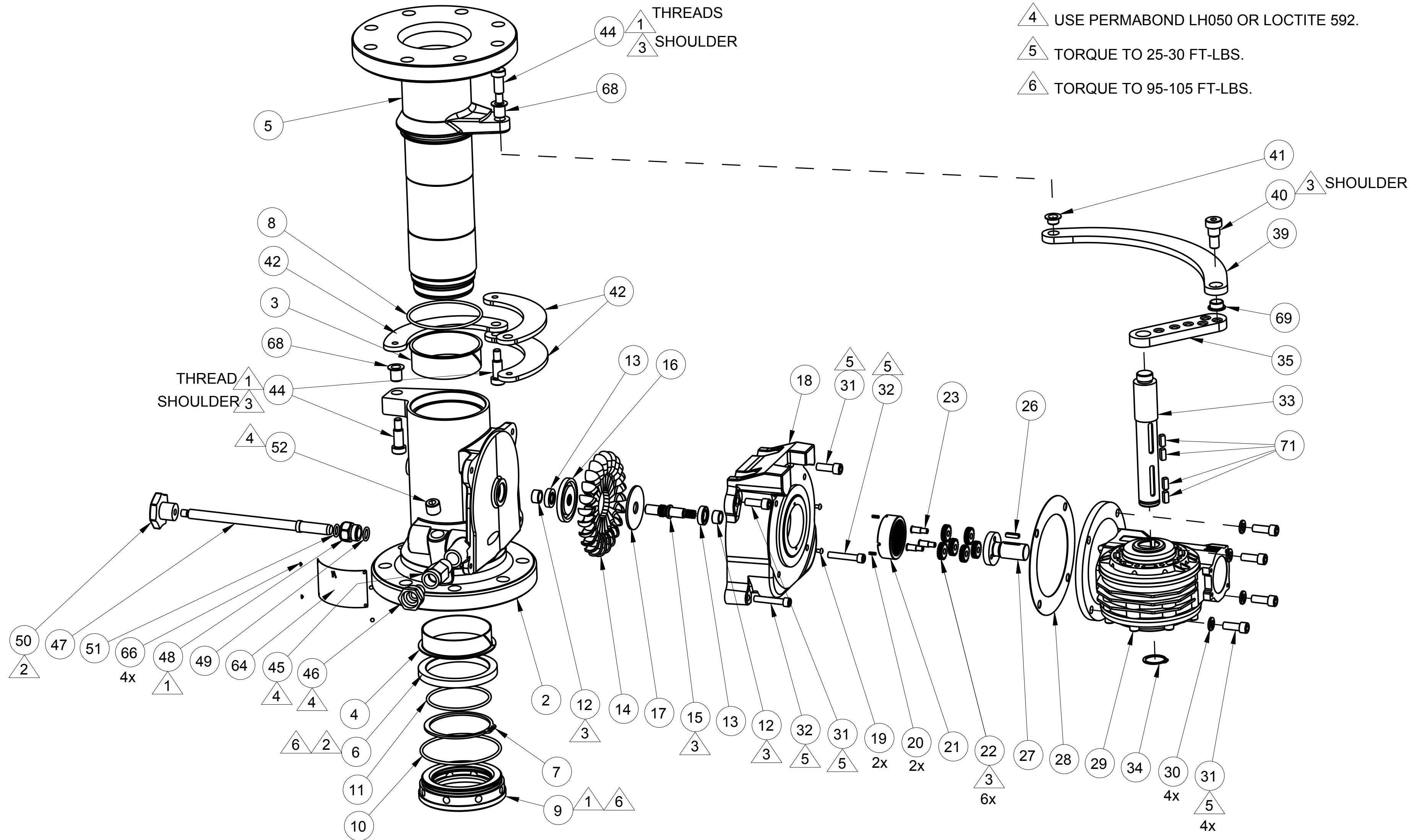


ASSEMBLY NOTES:

USE PARKER O-LUBE ON ALL O-RINGS AND MATING SURFACES

UNLESS OTHERWISE NOTED.

- 1 USE PERMABOND LM113 OR LOCTITE 222.
- 2 USE PERMABOND HH120 OR LOCTITE 277.
- 3 USE LOW-TEMP LUBRIPLATE.
- 4 USE PERMABOND LH050 OR LOCTITE 592.
- 5 TORQUE TO 25-30 FT-LBS.
- 6 TORQUE TO 95-105 FT-LBS.



PHONE: 330.264.5678 or 800.228.1161 | FAX: 330.264.2944 or 800.531.7335 | www.akronbrass.com

Parts List Sheet:

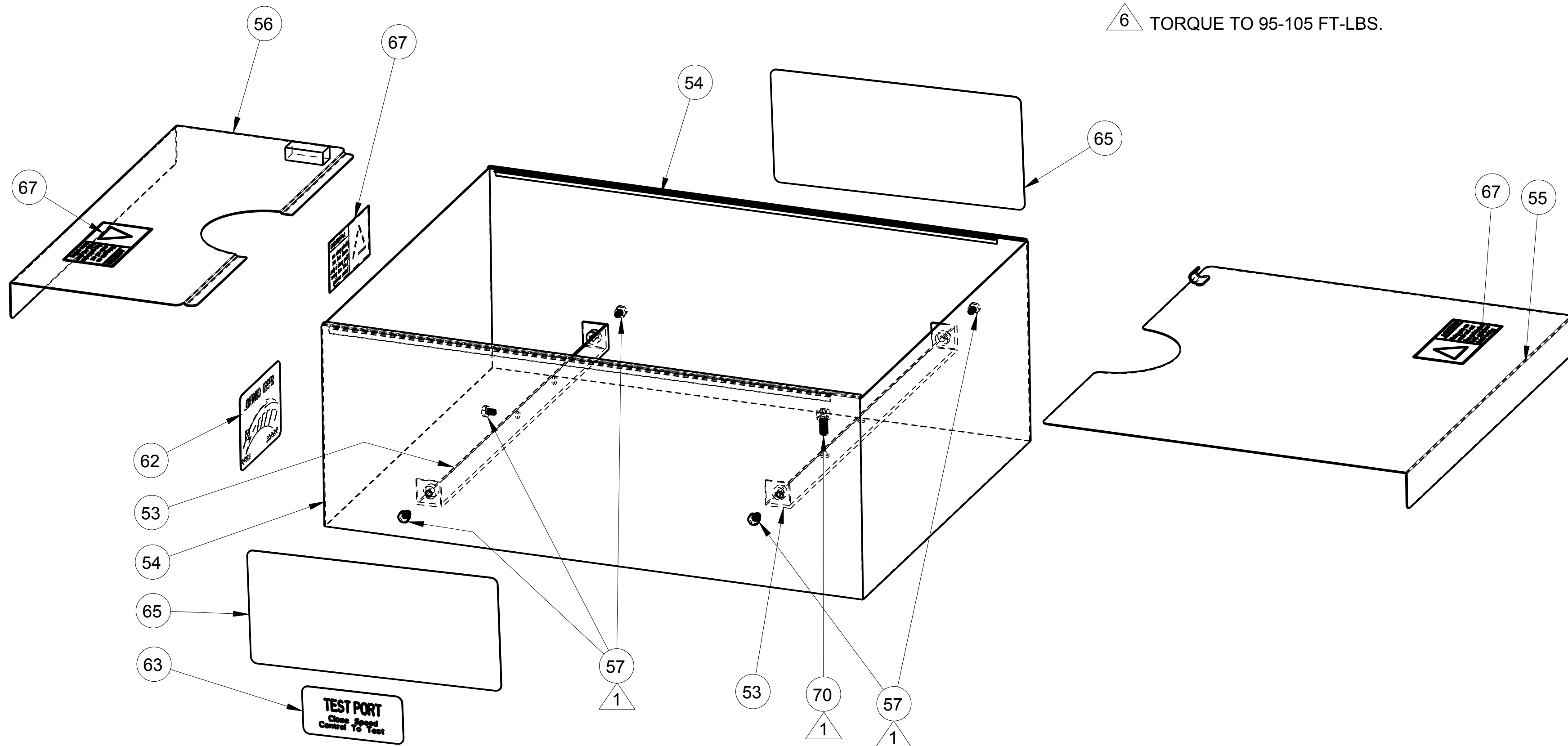
122121

WARRANTY AND DISCLAIMER*: We warrant Akron Brass products for a period of five (5) years* after purchase against defects in materials or workmanship. Akron Brass will repair or replace product which fails to satisfy this warranty. Repair or replacement shall be at the discretion of Akron Brass. Products must be promptly returned to Akron Brass for warranty service. We will not be responsible for: wear and tear; any improper installation, use, maintenance or storage; negligence of the owner or user; repair or modification after delivery; failure to follow our instructions or recommendations; or anything else beyond our control. WE MAKE NO WARRANTIES, EXPRESS OR IMPLIED, OTHER THAN THOSE INCLUDED IN THIS WARRANTY STATEMENT, AND WE DISCLAIM ANY IMPLIED WARRANTY OF MERCHANTABILITY OR FITNESS FOR ANY PARTICULAR PURPOSE. Further, we will not be responsible for any consequential, incidental or indirect damages (including, but not limited to, any loss of profits) from any cause whatsoever. No person has authority to change this warranty. *Unless otherwise provided herein. Akron Brass industrial electronic components & the Severe-Duty Monitor have a one (1) year warranty. Select Akron Brass handline nozzles and valves carry a ten (10) year warranty. Weldon products have a two (2) year warranty from date of manufacture (excluding consumable components). Select Weldon LED products carry a five (5) year warranty. Honda products have the manufacturers' warranty and Akron Brass disclaims any warranty in respect of those products.

ASSEMBLY NOTES:

USE PARKER O-LUBE ON ALL O-RINGS AND MATING SURFACES
 UNLESS OTHERWISE NOTED.

- 1 USE PERMABOND LM113 OR LOCTITE 222.
- 2 USE PERMABOND HH120 OR LOCTITE 277.
- 3 USE LOW-TEMP LUBRIPLATE.
- 4 USE PERMABOND LH050 OR LOCTITE 592.
- 5 TORQUE TO 25-30 FT-LBS.
- 6 TORQUE TO 95-105 FT-LBS.



PHONE: 330.264.5678 or 800.228.1161 | FAX: 330.264.2944 or 800.531.7335 | www.akronbrass.com

WARRANTY AND DISCLAIMER*: We warrant Akron Brass products for a period of five (5) years* after purchase against defects in materials or workmanship. Akron Brass will repair or replace product which fails to satisfy this warranty. Repair or replacement shall be at the discretion of Akron Brass. Products must be promptly returned to Akron Brass for warranty service. We will not be responsible for: wear and tear; any improper installation, use, maintenance or storage; negligence of the owner or user; repair or modification after delivery; failure to follow our instructions or recommendations; or anything else beyond our control. WE MAKE NO WARRANTIES, EXPRESS OR IMPLIED, OTHER THAN THOSE INCLUDED IN THIS WARRANTY STATEMENT, AND WE DISCLAIM ANY IMPLIED WARRANTY OF MERCHANTABILITY OR FITNESS FOR ANY PARTICULAR PURPOSE. Further, we will not be responsible for any consequential, incidental or indirect damages (including, but not limited to, any loss of profits) from any cause whatsoever. No person has authority to change this warranty. *Unless otherwise provided herein. Akron Brass industrial electronic components & the Severe-Duty Monitor have a one (1) year warranty. Select Akron Brass handline nozzles and valves carry a ten (10) year warranty. Weldon products have a two (2) year warranty from date of manufacture (excluding consumable components). Select Weldon LED products carry a five (5) year warranty. Honda products have the manufacturers' warranty and Akron Brass disclaims any warranty in respect of those products.

Parts List Sheet:

122121



TECHNICAL SERVICE PARTS

STYLE 3531

PRODUCT Oscillating Flange

Chg.	Date
07	12-13
08	11-14

Find	Description	Item	QTY
2	BASE INLET	122107	1
3	BEARING 3"FLANGE x 1.3" LONG	703814	1
4	BEARING 3"FLANGE x 1" LONG	703813	1
5	FLANGE OUTPUT 3"	122106	1
6	RING RETAINING	122104	1
7	RING SNAP	758289	1
8	O-RING 2-240	757017	1
9	PLUG RING	122114	1
10	O-RING 2-242	757073	1
11	O-RING 2-236	757035	1
12	BEARING ROLLER NEEDLE 1/2" ID	704395	2
13	SEAL SHAFT	769718	2
14	BUCKET TURBINE	703812	25
15	SHAFT TURBINE OUTPUT	768416	1
16	HUB TURBINE	721526	1
17	WASHER	784182	1
18	HOUSING GEAR/TURBINE	122105	1
19	SCREW SOCKET BUTTON HEAD #8-32 x 1/4"	763061	2
20	PIN SPRING	745152	2
21	GEAR INTERNAL	718192	1
22	GEAR PLANET	718262*	6
23	RIVET LONG	754051*	3
26	KEY	727046	1
27	SHAFT OUTPUT	769869*	1
28	GASKET HOUSING	717061	1
29	GEARBOX WORM	718280	1
30	WASHER 3/8"	784081	4
31	SCREW SOCKET HEAD CAP 3/8-16 x 1"	767139	6
32	SCREW SOCKET HEAD CAP 5/16-18 x 1-3/4"	766050	2
33	SHAFT OUTPUT	769868	1
34	RING SNAP	758295	1
35	PLATE CRANK	745205	1
39	LINKAGE COUPLING	729583	1

Find	Description	Item	QTY
40	SCREW SOCKET HEAD SHOULDER 5/8D x 1/2LG x 1/2-13	765303	1
41	BUSHING	703819	1
42	LINKAGE ROCKER	729584	3
44	SCREW SOCKET HEAD SHOULDER 1/2D x 1"LG x 3/8-16	765198	3
45	VALVE CHECK 1/2 NPT	779087	1
46	ADAPTER 3/4 GHT SWIVEL x 1/2"NPT MALE	702171	1
47	SHAFT NEEDLE VALVE	769867	1
48	PLUG NEEDLE VALVE	744471	1
49	O-RING 2-113	757008	1
50	KNOB HAND	727060	1
51	O-RING 2-112	757313	1
52	PLUG SOCKET HEAD PIPE 1/2 NPT	744416	1
53	SUPPORT COVER CHANNEL	769866	2
54	COVER	707645	1
55	LID CRANK ADJUSTMENT	729582	1
56	LID FLANGE COVER	729581	1
57	SCREW HEX HEAD M6 x 8mm LONG	765301	5
62	LABEL SPEED CONTROL	729588	1
63	LABEL TEST PORT CLOSE SPEED	729589	1
64	PLATE ID	744472	1
65	LABEL AKRON BRASS COMPANY	729590	2
66	NAIL GRIP	736052	4
67	LABEL WARNING	729591	3
68	BUSHING	703821	2
69	BUSHING	704995	1
70	SCRW SOCKET HEAD M8 x 10mm LONG	765304	1
71	KEY	727038	4

* FOR ITEMS 22, 23, 27 ORDER REPAIR KIT 35310004

PHONE: 330.264.5678 or 800.228.1161 | FAX: 330.264.2944 or 800.531.7335 | www.akronbrass.com

Parts List Sheet:

122121

WARRANTY AND DISCLAIMER*: We warrant Akron Brass products for a period of five (5) years* after purchase against defects in materials or workmanship. Akron Brass will repair or replace product which fails to satisfy this warranty. Repair or replacement shall be at the discretion of Akron Brass. Products must be promptly returned to Akron Brass for warranty service. We will not be responsible for: wear and tear; any improper installation, use, maintenance or storage; negligence of the owner or user; repair or modification after delivery; failure to follow our instructions or recommendations; or anything else beyond our control. WE MAKE NO WARRANTIES, EXPRESS OR IMPLIED, OTHER THAN THOSE INCLUDED IN THIS WARRANTY STATEMENT, AND WE DISCLAIM ANY IMPLIED WARRANTY OF MERCHANTABILITY OR FITNESS FOR ANY PARTICULAR PURPOSE. Further, we will not be responsible for any consequential, incidental or indirect damages (including, but not limited to, any loss of profits) from any cause whatsoever. No person has authority to change this warranty. *Unless otherwise provided herein. Akron Brass industrial electronic components & the Severe-Duty Monitor have a one (1) year warranty. Select Akron Brass handline nozzles and valves carry a ten (10) year warranty. Weldon products have a two (2) year warranty from date of manufacture (excluding consumable components). Select Weldon LED products carry a five (5) year warranty. Honda products have the manufacturers' warranty and Akron Brass disclaims any warranty in respect of those products.

©Premier Farnell Corporation. 2012 All rights reserved. No portion of this can be reproduced without the express written consent of Premier Farnell Corporation