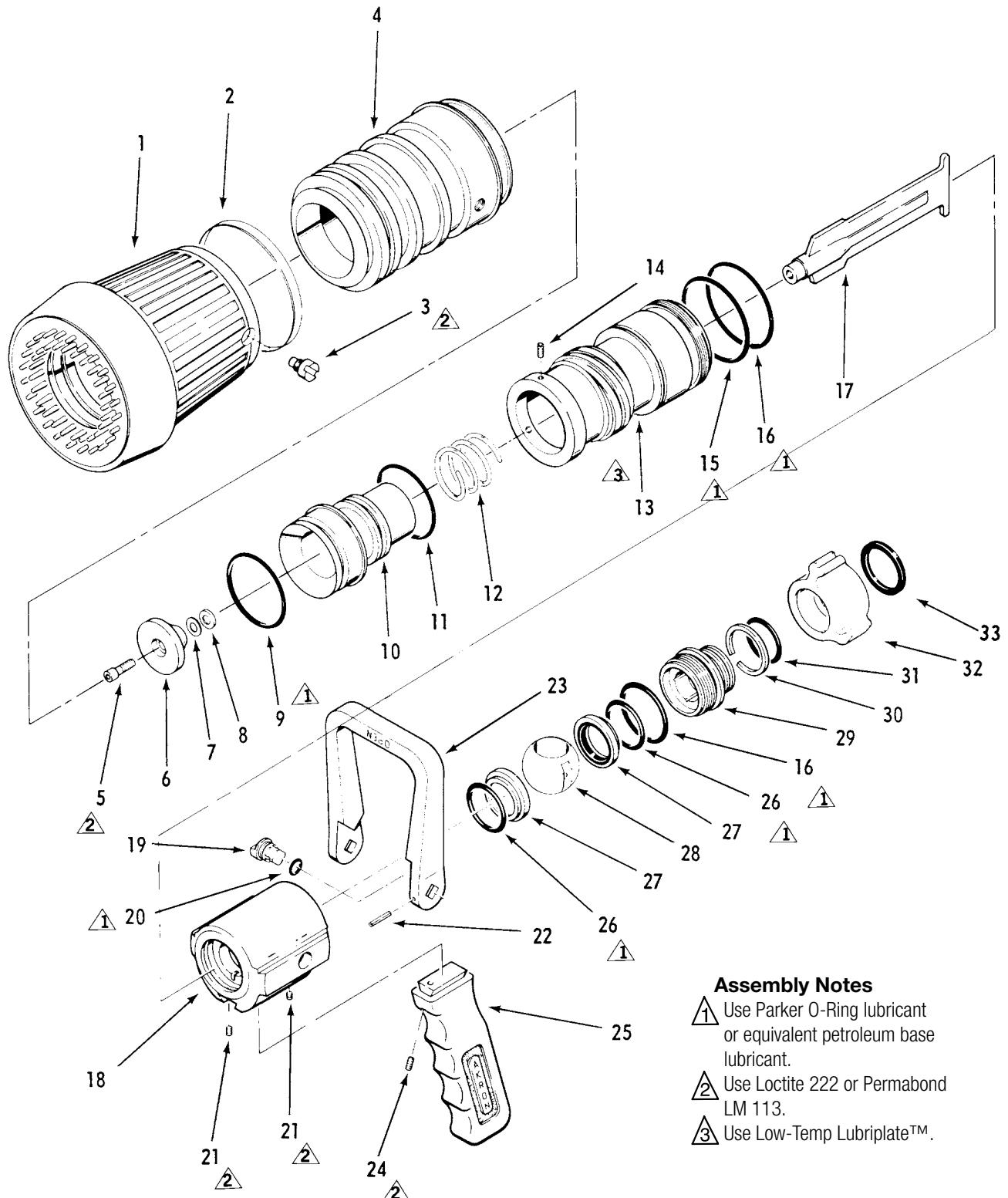


TECHNICAL SERVICE PARTS





**3019 & 3021
AFFE NOZZLE
MANUFACTURED BEFORE 2000
OBSOLETE
TECHNICAL SERVICE PARTS LIST**

ITEM NO.	DESCRIPTION	PART NUMBER	QUANTITY	
			3019	3021
1	Bumper	703426	1	1
2	Indicating Band	703362	1	
2	Indicating Band	703425		1
3	Stop Screw	767078	1	1
4	Pattern Sleeve	105762	1	1
5	Soc. Hd. Cap Screw	765100	1	1
6	Baffle Head	105606	1	1
7	Baffle Shim	768151	As req.	As req.
8	Baffle Spacer--95 gpm	768184	1	
8	Baffle Spacer--125 gpm	768185		1
9	O-Ring	757185	1	
10	Throat	105608	1	1
11	O-Ring	757184	1	1
12	Spring	768237	1	1
13	Nozzle Body	105603	1	1
14	Retaining Pin	744178	3	3
15	O-Ring	757183	1	1
16	O-Ring	757182	3	3
17	Blade	105605	1	1
18	Shutoff Body	105683	1	1
19	Trunnion	772094	2	2
20	O-Ring	757180	2	2
21	Soc. Hd. Set Screw	765002	2	2
22	Roll Pin	744164	2	2
23	Handle	721122	1	1
24	Soc. Hd. Set Screw	765096	1	1
25	Pistol Grip	108975	1	1
26	O-Ring	757181	2	2
27	Seat	769245	2	2
28	Ball	704006	1	1
29-33	Swivel Sub Assembly--NH*	30190011	1	1
29-33	Swivel Sub Assembly--NPSH*	30190012	1	1
33	Swivel Gasket	717042	1	1

*For other threads order by description and thread size (ODM and TPI) or by Akron Thread Code.



PHONE: 330.264.5678 or 800.228.1161 | FAX: 330.264.2944 or 800.531.7335 | akronbrass.com

REVISED: 11/98

WARRANTY AND DISCLAIMER: We warrant Akron Brass products for a period of five (5) years after purchase against defects in materials or workmanship. Akron Brass will repair or replace product which fails to satisfy this warranty. Repair or replacement shall be at the discretion of Akron Brass. Products must be promptly returned to Akron Brass for warranty service.

We will not be responsible for: wear and tear; any improper installation, use, maintenance or storage; negligence of the owner or user; repair or modification after delivery; damage; failure to follow our instructions or recommendations; or anything else beyond our control. WE MAKE NO WARRANTIES, EXPRESS OR IMPLIED, OTHER THAN THOSE INCLUDED IN THIS WARRANTY STATEMENT, AND WE DISCLAIM ANY IMPLIED WARRANTY OF MERCHANTABILITY OR FITNESS FOR ANY PARTICULAR PURPOSE. Further, we will not be responsible for any consequential, incidental or indirect damages (including, but not limited to, any loss of profits) from any cause whatsoever. No person has authority to change this warranty.

© Akron Brass Company. 2000 All rights reserved. No portion of this can be reproduced without the express written consent of Akron Brass Company.